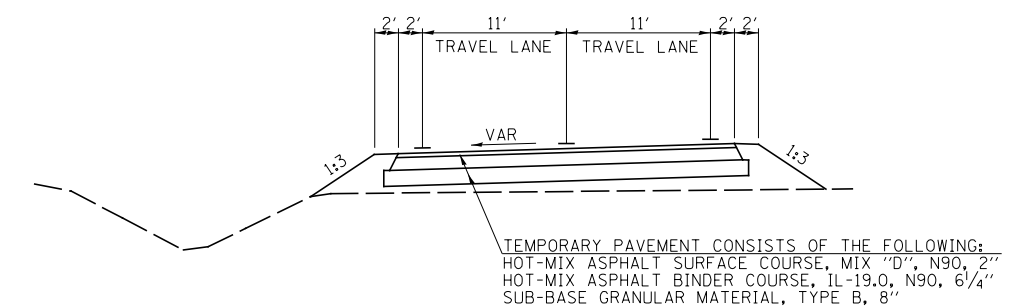


**STAGE 1 TYPICAL SECTION
 IL. RTE. 47**

- STA. 6355+31.50 TO STA. 6356+93
- STA. 6384+00.50 TO STA. 6385+68.80
- STA. 6392+00 TO STA. 6411+00
- STA. 6423+89.60 TO STA. 6425+42.10
- STA. 6437+67 TO STA. 6439+33
- STA. 6444+35 TO STA. 6449+54.10
- STA. 6451+77 TO STA. 6455+53
- STA. 6466+94.20 TO STA. 6469+00.40
- STA. 6503+21.70 TO STA. 6504+72
- STA. 6529+86.90 TO STA. 6534+66
- STA. 6556+24 TO STA. 6557+74.50
- STA. 6567+59 TO STA. 6569+24.70
- STA. 6582+60.50 TO STA. 6584+25.20

NOTE:
 1. STA. 6444+70 TO STA. 6449+54.10



**STAGE 1 TYPICAL SECTION
 TEMPORARY PAVEMENT**

STA. 6589+88 TO STA. 6598+20

FILE NAME =	USER NAME = bdecreene	DESIGNED - HLC	REVISED -	STATE OF ILLINOIS DEPARTMENT OF TRANSPORTATION	IL. RTE. 47 STAGE 1 CONSTRUCTION NOTES & TYPICAL SECTIONS			F.A.P. RTE. 326	SECTION (109,110) R-1	COUNTY KENDALL	TOTAL SHEETS 619	SHEET NO. 140
V:\3195\66884 (North Section)\CADD Sheets\ND366884-sh1-MOT-Stage1-0E.dgn		DRAWN - HLC	REVISED -		SCALE: N/A	SHEET 5 OF 9 SHEETS	STA. N/A TO STA. N/A	CONTRACT NO. 66884				
MODELNAME		CHECKED - CAS	REVISED -		ILLINOIS FED. AID PROJECT							
		DATE - 7/01/2014	REVISED -									