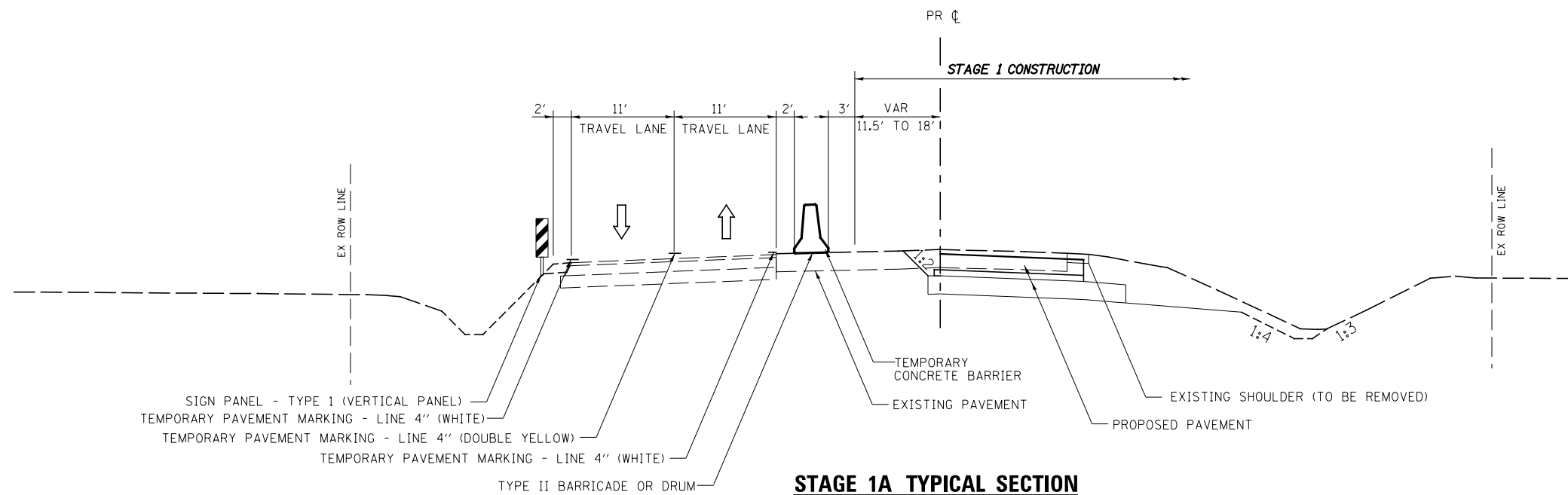


STAGE 1 TYPICAL SECTION
US. RTE. 52

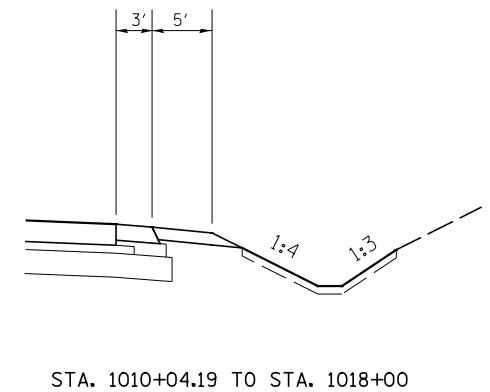
*STA. 995+00 TO STA. 1008+13.38
**STA. 1008+72 TO STA. 1022+05.12

TEMPORARY PAVEMENT CONSISTS OF THE FOLLOWING:
HOT-MIX ASPHALT SURFACE COURSE, MIX "D", N90, 2"
HOT-MIX ASPHALT BINDER COURSE, IL-19.0, N90, 6 1/2"
SUB-BASE GRANULAR MATERIAL, TYPE B, 8"



STAGE 1A TYPICAL SECTION
US. RTE. 52

STA. 1000+00 TO STA. 1007+95.81
STA. 1008+60.26 TO STA. 1018+00



FILE NAME =	USER NAME = bdecreene	DESIGNED - HLC	REVISED -
V:\3195\66884 (North Section)\CADD Sheets\ND366884-sh1-MOT-Stage1-04.dgn		DRAWN - HLC	REVISED -
MODELNAME	PLOT SCALE = 16.0000' / in.	CHECKED - CAS	REVISED -
	PLOT DATE = 7/14/2014	DATE - 7/01/2014	REVISED -

STATE OF ILLINOIS
DEPARTMENT OF TRANSPORTATION

US. RTE. 52			
STAGE 1 CONSTRUCTION NOTES & TYPICAL SECTIONS			
SCALE: N/A	SHEET 8 OF 9 SHEETS	STA. N/A	TO STA. N/A

F.A.P. RTE.	SECTION	COUNTY	TOTAL SHEETS	SHEET NO.
326	(109.110) R-1	KENDALL	619	143
CONTRACT NO. 66884				
ILLINOIS FED. AID PROJECT				