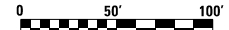
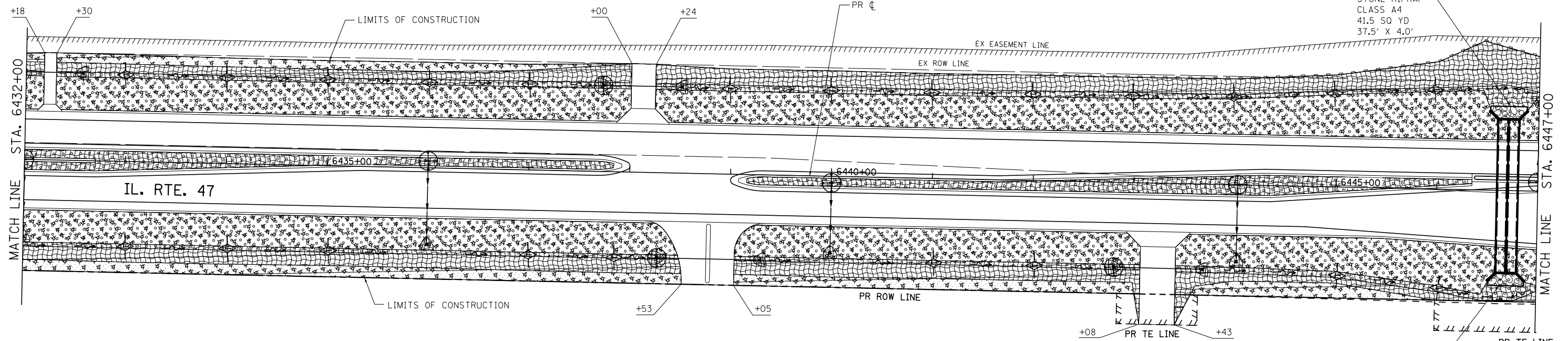


NOTES:

SEE TYPICAL LANDSCAPING DETAILS FOR LOCATIONS OF SEEDING, MULCH, AND EROSION CONTROL BLANKET.



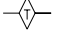
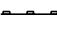






SCALE: 1" = 50'

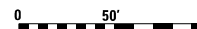


STONE RIPRAP  
CLASS A4  
41.5 SQ YD  
37.5' X 4.0'

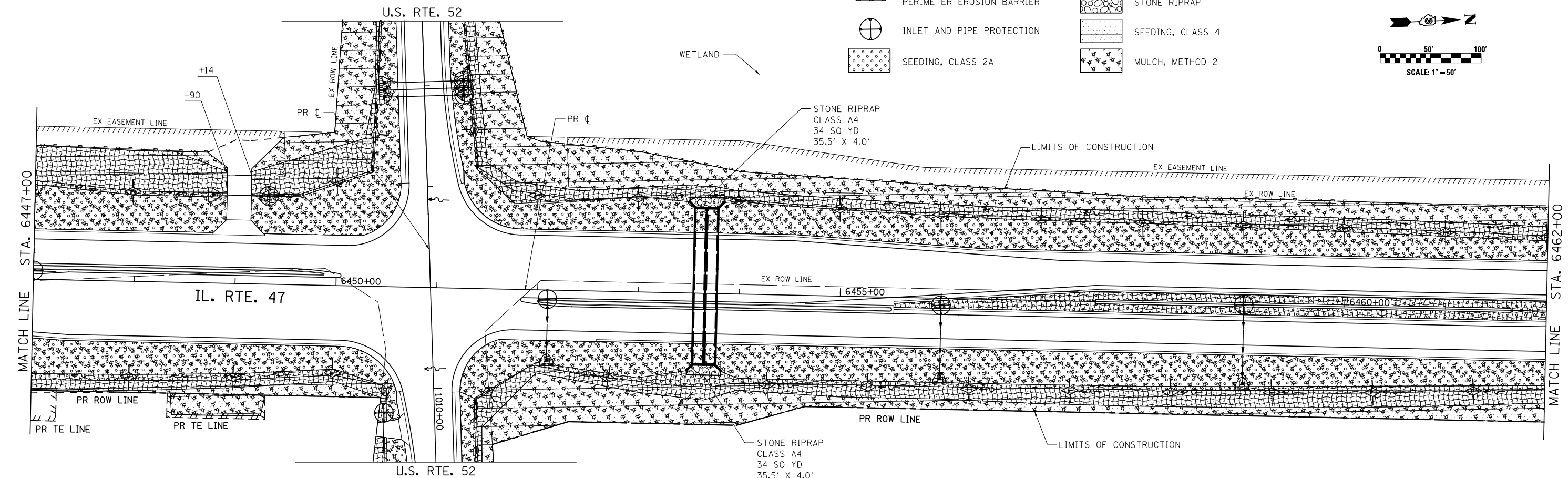
STONE RIPRAP  
CLASS A4  
41 SQ YD  
41.5' X 4.0'

**LANDSCAPING AND EROSION CONTROL LEGEND**

-  TEMPORARY DITCH CHECKS
-  PERIMETER EROSION BARRIER
-  INLET AND PIPE PROTECTION
-  SEEDING, CLASS 2A
-  EROSION CONTROL BLANKET
-  STONE RIPRAP
-  SEEDING, CLASS 4
-  MULCH, METHOD 2



SCALE: 1" = 50'



STONE RIPRAP  
CLASS A4  
34 SQ YD  
35.5' X 4.0'

STONE RIPRAP  
CLASS A4  
34 SQ YD  
35.5' X 4.0'



USER NAME = bdecreane	DESIGNED - JL	REVISED -
PLOT SCALE = 100.0000' / 1"	DRAWN - JL	REVISED -
PLOT DATE = 7/14/2014	CHECKED - ST	REVISED -
	DATE - 7/01/2014	REVISED -

**STATE OF ILLINOIS  
DEPARTMENT OF TRANSPORTATION**

**IL. RTE. 47  
LANDSCAPING AND EROSION CONTROL PLANS**

SCALE: 1"=50' SHEET NO. 7 OF 20 SHEETS STA. 6432+00 TO STA. 6462+00

F.A.P. RTE.	SECTION	COUNTY	TOTAL SHEETS	SHEET NO.
326	(109, 110R-1)	KENDALL	619	227
CONTRACT NO. 66B84				
ILLINOIS FED. AID PROJECT				