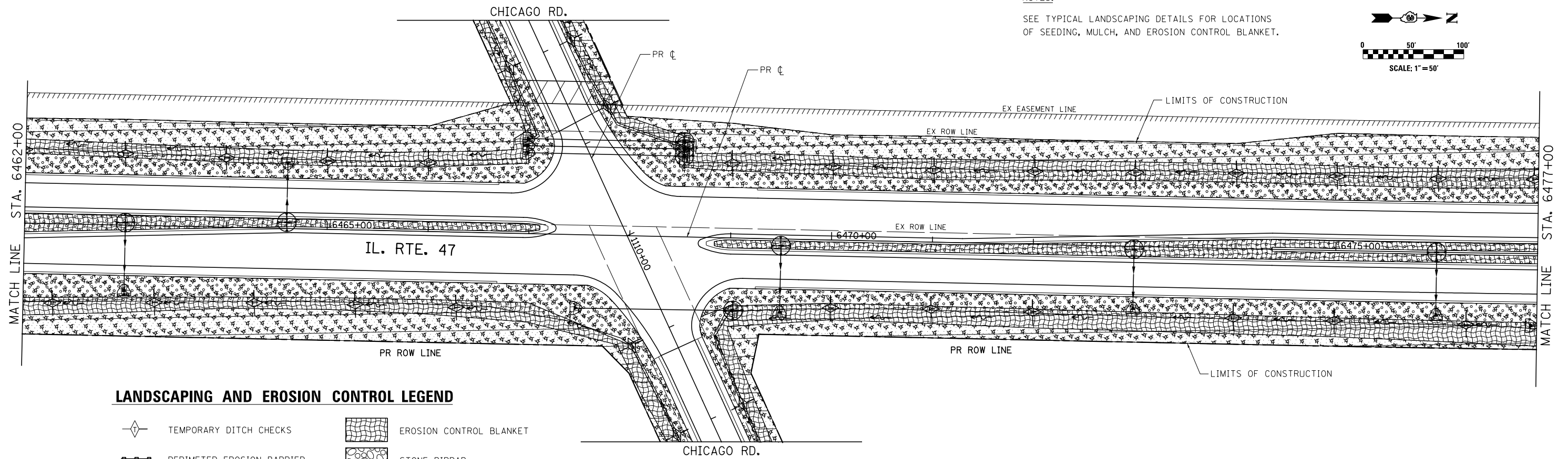
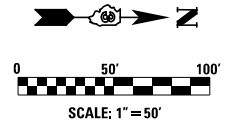
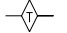
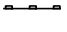


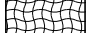

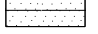

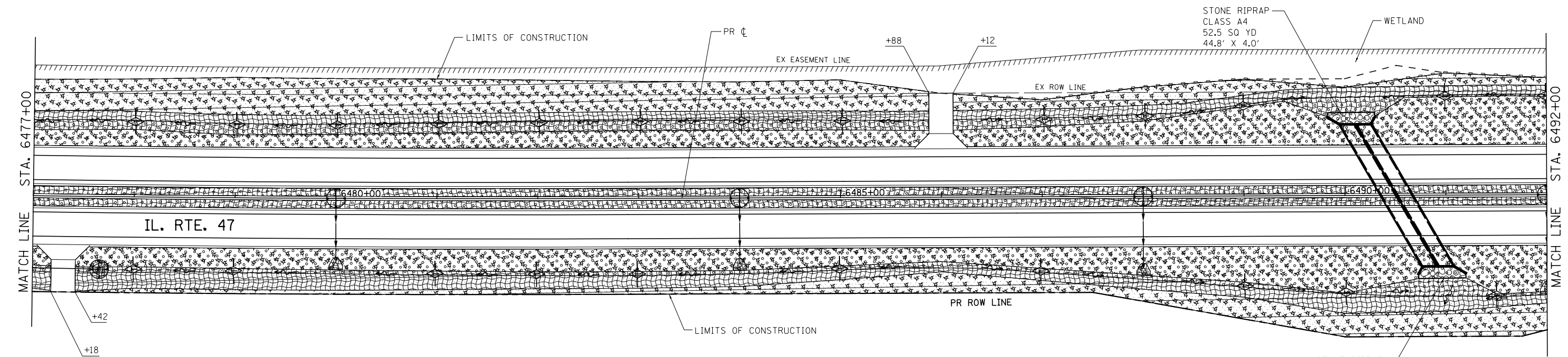
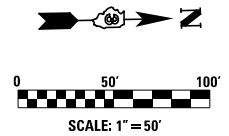


NOTES:
SEE TYPICAL LANDSCAPING DETAILS FOR LOCATIONS OF SEEDING, MULCH, AND EROSION CONTROL BLANKET.



LANDSCAPING AND EROSION CONTROL LEGEND

-  TEMPORARY DITCH CHECKS
-  PERIMETER EROSION BARRIER
-  INLET AND PIPE PROTECTION
-  SEEDING, CLASS 2A
-  EROSION CONTROL BLANKET
-  STONE RIPRAP
-  SEEDING, CLASS 4
-  MULCH, METHOD 2



USER NAME = bdecreane	DESIGNED - JL	REVISED -
PLOT SCALE = 100.0000' / 1" =	DRAWN - JL	REVISED -
PLOT DATE = 7/14/2014	CHECKED - ST	REVISED -
	DATE - 7/01/2014	REVISED -

F.A.P. RTE.	SECTION	COUNTY	TOTAL SHEETS	SHEET NO.
326	(109, 110R-1)	KENDALL	619	228
CONTRACT NO. 66B84				
ILLINOIS FED. AID PROJECT				