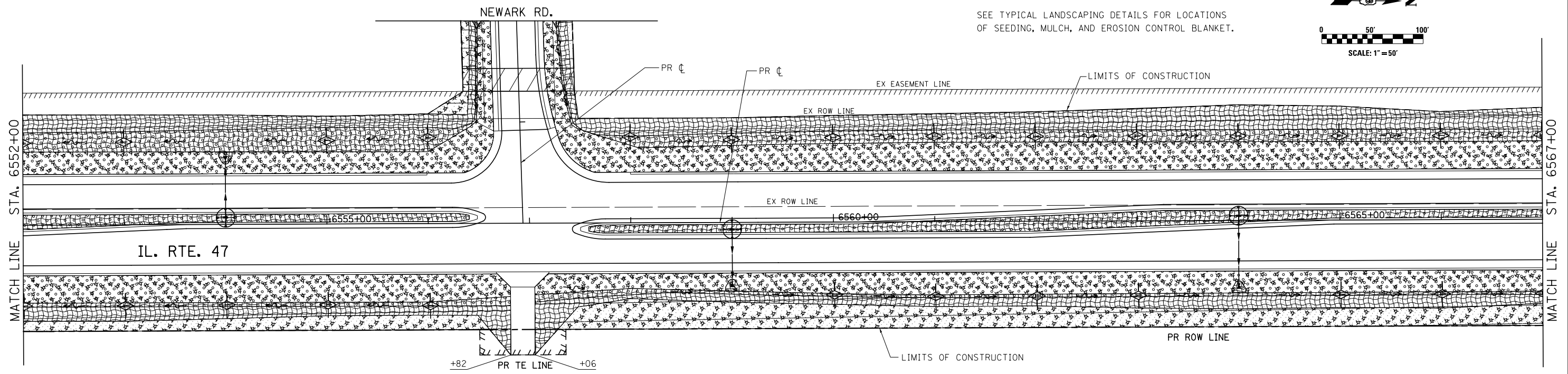
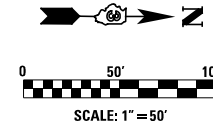


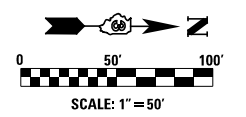
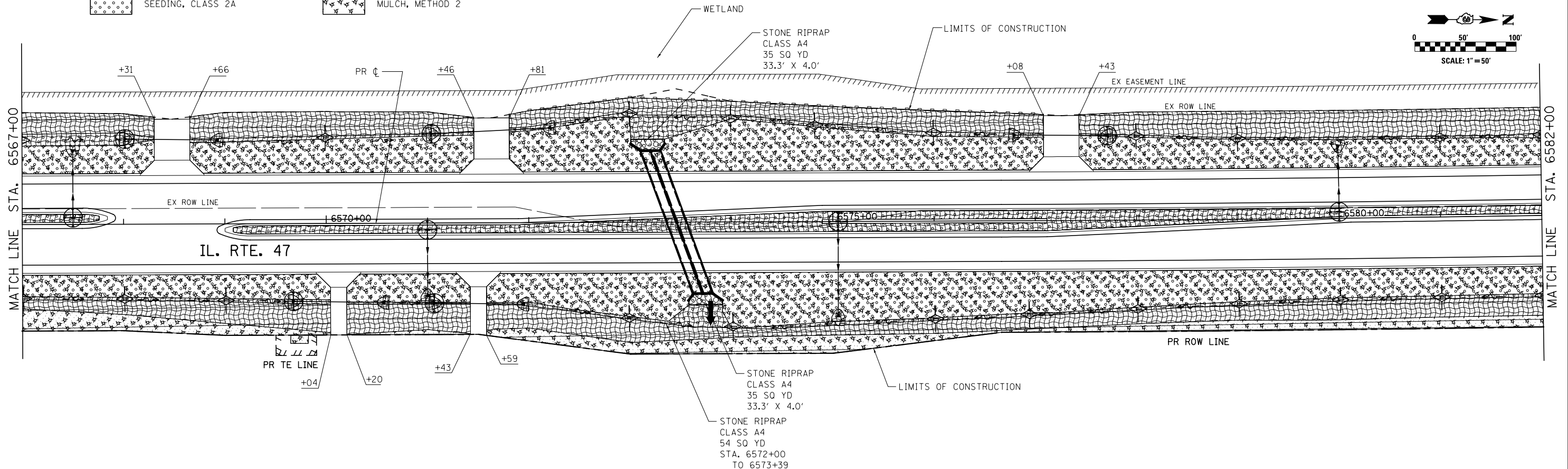
NOTES:

SEE TYPICAL LANDSCAPING DETAILS FOR LOCATIONS OF SEEDING, MULCH, AND EROSION CONTROL BLANKET.



**LANDSCAPING AND EROSION CONTROL LEGEND**

- TEMPORARY DITCH CHECKS
- PERIMETER EROSION BARRIER
- INLET AND PIPE PROTECTION
- SEEDING, CLASS 2A
- EROSION CONTROL BLANKET
- STONE RIPRAP
- SEEDING, CLASS 4
- MULCH, METHOD 2



USER NAME = bdecreane	DESIGNED - JL	REVISED -
DRAWN - JL	REVISED -	
PLOT SCALE = 100.0000' / 1"	CHECKED - ST	REVISED -
PLOT DATE = 7/14/2014	DATE - 7/01/2014	REVISED -

**STATE OF ILLINOIS  
DEPARTMENT OF TRANSPORTATION**

**IL. RTE. 47  
LANDSCAPING AND EROSION CONTROL PLANS**  
SCALE: 1"=50' SHEET NO. 11 OF 20 SHEETS STA. 6552+00 TO STA. 6582+00

F.A.P. RTE.	SECTION	COUNTY	TOTAL SHEETS	SHEET NO.
326	(109, 110R-1)	KENDALL	619	231
CONTRACT NO. 66B84				

ILLINOIS FED. AID PROJECT