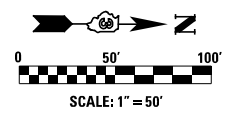
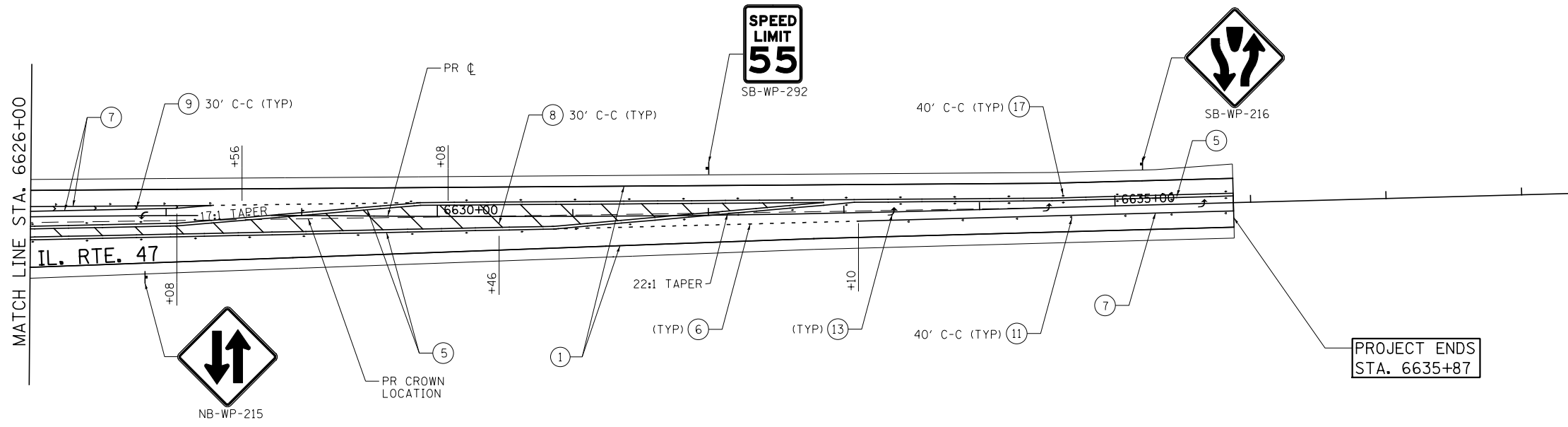
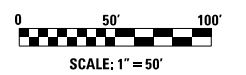


**PAVEMENT MARKING LEGEND**

- |  |   |
|--|---|
| ① MODIFIED URETHANE PM - LINE 4" (SOLID WHITE)             | ⑨ MODIFIED URETHANE PM - LINE 12" (SOLID WHITE) |
| ② MODIFIED URETHANE PM - LINE 4" (SOLID YELLOW)            | ⑩ MODIFIED URETHANE PM - LINE 24" (SOLID WHITE) |
| ③ MODIFIED URETHANE PM LINE (WHITE 2' DASH-6' SKIP)        | ⑪ RAISED REFLECTIVE PM (ONE-WAY CRYSTAL)        |
| ④ PREFORMED PLASTIC PM TB INL L6 (WHITE 10' DASH-30' SKIP) | ⑫ PRISMATIC CURB REFLECTOR                      |
| ⑤ MODIFIED URETHANE PM - LINE 4" (DOUBLE YELLOW)           | ⑬ MODIFIED URETHANE PM - LETTERS & SYMBOLS      |
| ⑥ MODIFIED URETHANE PM - LINE 8" (WHITE 2' DASH-6' SKIP)   | ⑭ GROOVING FOR RECESSED PAVEMENT MARKING 5"     |
| ⑦ MODIFIED URETHANE PM - LINE 8" (SOLID WHITE)             | ⑮ GROOVING FOR RECESSED PAVEMENT MARKING 7"     |
| ⑧ MODIFIED URETHANE PM - LINE 12" (SOLID YELLOW)           | ⑯ GROOVING FOR RECESSED PAVEMENT MARKING 9"     |
|  | ⑰ RAISED REFLECTIVE PM (TWO-WAY AMBER)          |

NOTE:  
1. PAVEMENT GROOVING STOPS AT STA 6622+20



FILE NAME =	USER NAME = bdecreane	DESIGNED - SL	REVISED -	<b>STATE OF ILLINOIS DEPARTMENT OF TRANSPORTATION</b>	<b>IL. RTE. 47 PAVEMENT MARKING AND SIGNING PLANS</b>			F.A.P. RTE.	SECTION	COUNTY	TOTAL SHEETS	SHEET NO.
V:\3195\66884 (North Section)\CADD Sheets\0366884-shr-pmk-13.dgn		DRAWN - SL	REVISED -		SCALE: 1"=50'	SHEET NO. 13 OF 20 SHEETS	STA. 6611+00 TO STA. 6635+87	326	(109, 110R-1)	KENDALL	619	326
SHT_DOUBLE PLAN	PLOT SCALE = 100.0000' / in.	CHECKED - ST	REVISED -		CONTRACT NO. 66884							
	PLOT DATE = 7/14/2014	DATE - 7/01/2014	REVISED -		ILLINOIS FED. AID PROJECT							