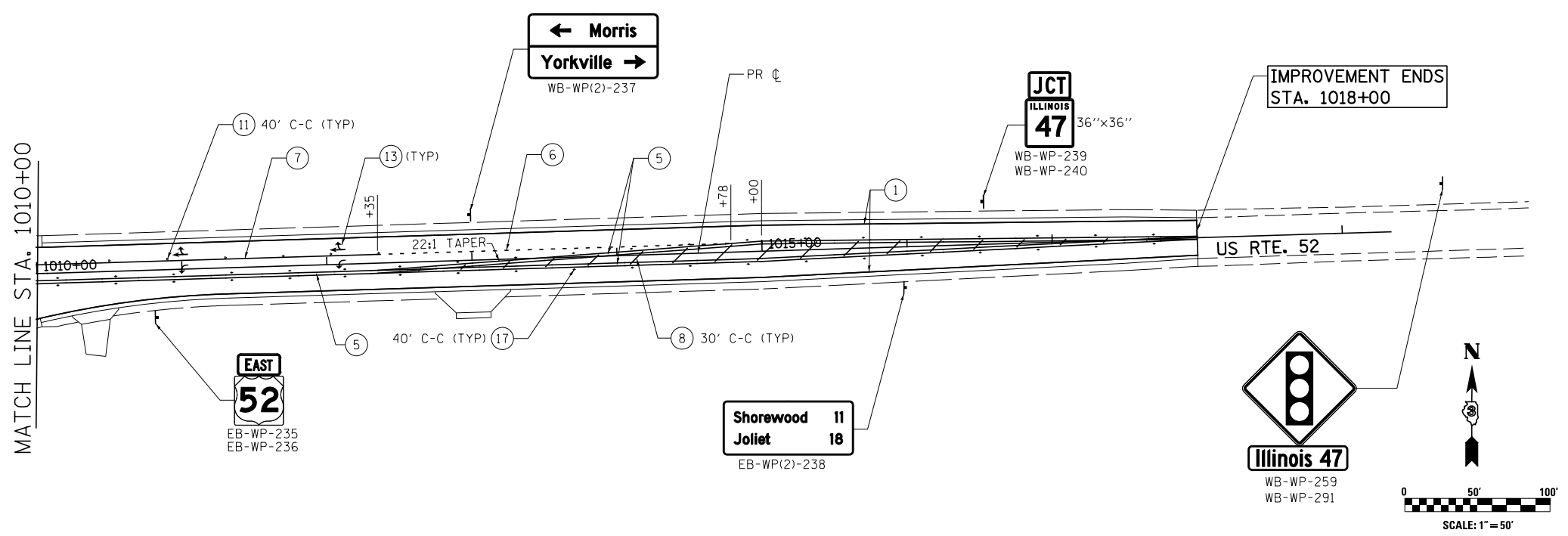


**PAVEMENT MARKING LEGEND**

- |  |   |
|--|---|
| ① MODIFIED URETHANE PM - LINE 4" (SOLID WHITE)             | ⑨ MODIFIED URETHANE PM - LINE 12" (SOLID WHITE) |
| ② MODIFIED URETHANE PM - LINE 4" (SOLID YELLOW)            | ⑩ MODIFIED URETHANE PM - LINE 24" (SOLID WHITE) |
| ③ MODIFIED URETHANE PM LINE (WHITE 2' DASH-6' SKIP)        | ⑪ RAISED REFLECTIVE PM (ONE-WAY CRYSTAL)        |
| ④ PREFORMED PLASTIC PM TB INL L6 (WHITE 10' DASH-30' SKIP) | ⑫ PRISMATIC CURB REFLECTOR                      |
| ⑤ MODIFIED URETHANE PM - LINE 4" (DOUBLE YELLOW)           | ⑬ MODIFIED URETHANE PM - LETTERS & SYMBOLS      |
| ⑥ MODIFIED URETHANE PM - LINE 8" (WHITE 2' DASH-6' SKIP)   | ⑭ GROOVING FOR RECESSED PAVEMENT MARKING 5"     |
| ⑦ MODIFIED URETHANE PM - LINE 8" (SOLID WHITE)             | ⑮ GROOVING FOR RECESSED PAVEMENT MARKING 7"     |
| ⑧ MODIFIED URETHANE PM - LINE 12" (SOLID YELLOW)           | ⑯ GROOVING FOR RECESSED PAVEMENT MARKING 9"     |
|  | ⑰ RAISED REFLECTIVE PM (TWO-WAY AMBER)          |



FILE NAME = V:\3195\66884 (North Section)\CADD Sheets\0366884-shr-pmk-16.dgn	USER NAME = bdecreene	DESIGNED - SL	REVISED -	<b>STATE OF ILLINOIS DEPARTMENT OF TRANSPORTATION</b>	<b>US RTE. 52 PAVEMENT MARKING AND SIGNING PLANS</b>			F.A.P. RTE. 326	SECTION (109, 110R-1)	COUNTY KENDALL	TOTAL SHEETS 619	SHEET NO. 329
SHT.DOUBLE PLAN	PLOT SCALE = 100.0000' / in.	CHECKED - ST	REVISED -		SCALE: 1"=50'	SHEET NO. 16 OF 20 SHEETS	STA. 998+66 TO STA. 1019+33	CONTRACT NO. 66884				
	PLOT DATE = 7/14/2014	DATE - 7/01/2014	REVISED -		ILLINOIS FED. AID PROJECT							