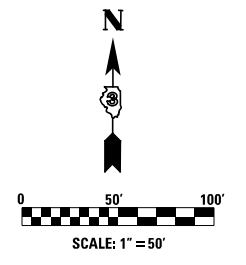
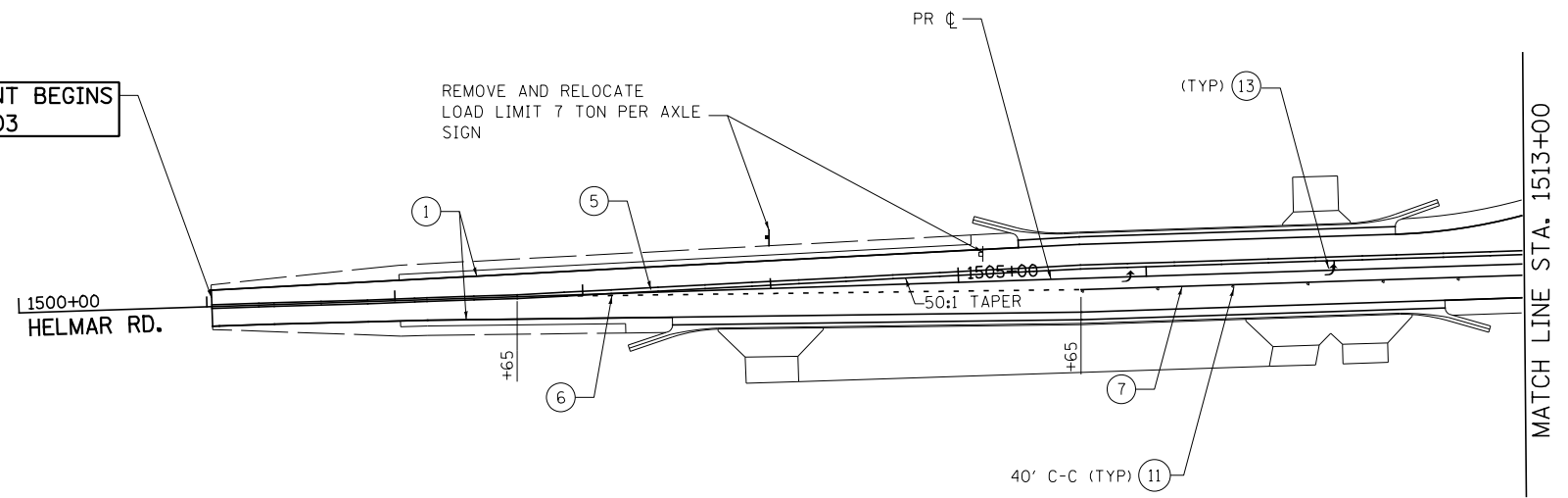
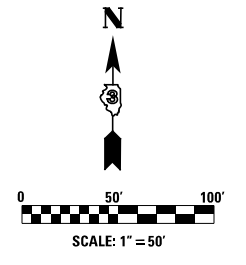
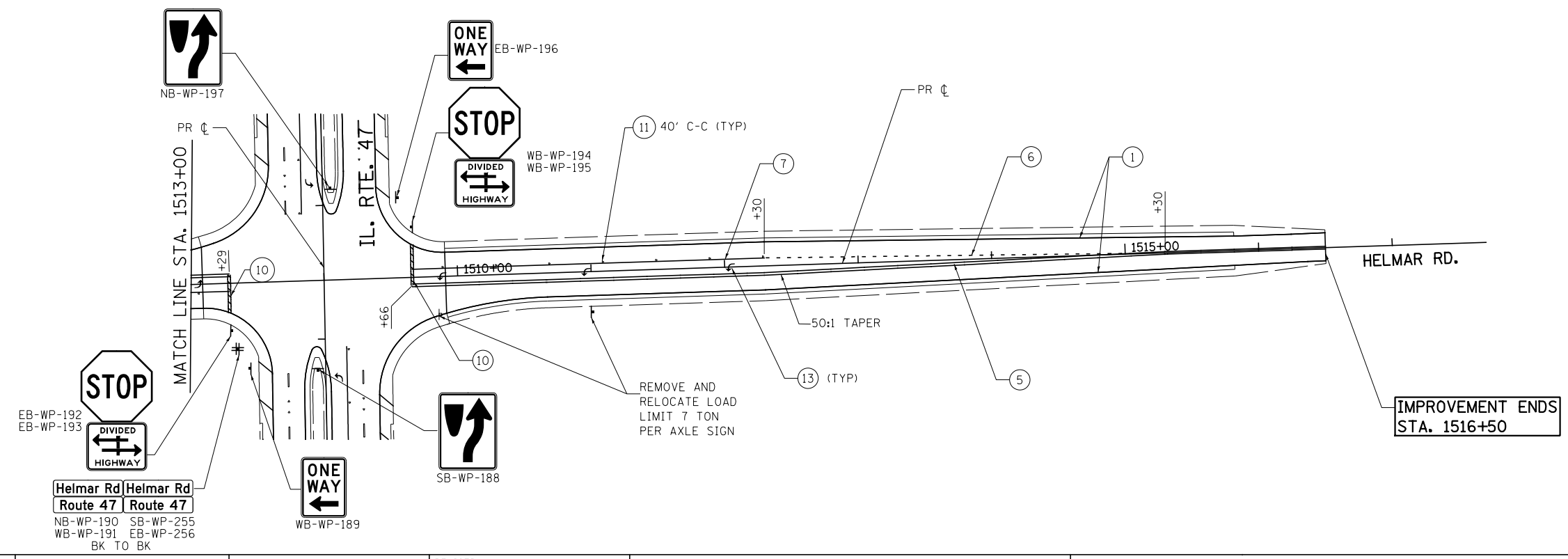


IMPROVEMENT BEGINS
STA. 1501+03



PAVEMENT MARKING LEGEND

- | | |
|--|---|
| ① MODIFIED URETHANE PM - LINE 4" (SOLID WHITE) | ⑨ MODIFIED URETHANE PM - LINE 12" (SOLID WHITE) |
| ② MODIFIED URETHANE PM - LINE 4" (SOLID YELLOW) | ⑩ MODIFIED URETHANE PM - LINE 24" (SOLID WHITE) |
| ③ MODIFIED URETHANE PM LINE (WHITE 2' DASH-6' SKIP) | ⑪ RAISED REFLECTIVE PM (ONE-WAY CRYSTAL) |
| ④ PREFORMED PLASTIC PM TB INL L6 (WHITE 10' DASH-30' SKIP) | ⑫ PRISMATIC CURB REFLECTOR |
| ⑤ MODIFIED URETHANE PM - LINE 4" (DOUBLE YELLOW) | ⑬ MODIFIED URETHANE PM - LETTERS & SYMBOLS |
| ⑥ MODIFIED URETHANE PM - LINE 8" (WHITE 2' DASH-6' SKIP) | ⑭ GROOVING FOR RECESSED PAVEMENT MARKING 5" |
| ⑦ MODIFIED URETHANE PM - LINE 8" (SOLID WHITE) | ⑮ GROOVING FOR RECESSED PAVEMENT MARKING 7" |
| ⑧ MODIFIED URETHANE PM - LINE 12" (SOLID YELLOW) | ⑯ GROOVING FOR RECESSED PAVEMENT MARKING 9" |
| | ⑰ RAISED REFLECTIVE PM (TWO-WAY AMBER) |



FILE NAME =	USER NAME = bdecreene	DESIGNED - SL	REVISED -
V:\3195\66884 (North Section)\CADD Sheets\0366884-sh1-pmk-20.dgn		DRAWN - SL	REVISED -
		CHECKED - ST	REVISED -
SHT_DOUBLE PLAN	PLOT DATE = 7/14/2014	DATE - 7/01/2014	REVISED -

**STATE OF ILLINOIS
DEPARTMENT OF TRANSPORTATION**

**HELMAR RD.
PAVEMENT MARKING AND SIGNING PLANS**

SCALE: 1"=50' SHEET NO. 20 OF 20 SHEETS STA. 1501+03 TO STA. 1517+00

F.A.P. RTE.	SECTION	COUNTY	TOTAL SHEETS	SHEET NO.
326	(109, 110R-1)	KENDALL	619	333
CONTRACT NO. 66884				
ILLINOIS FED. AID PROJECT				