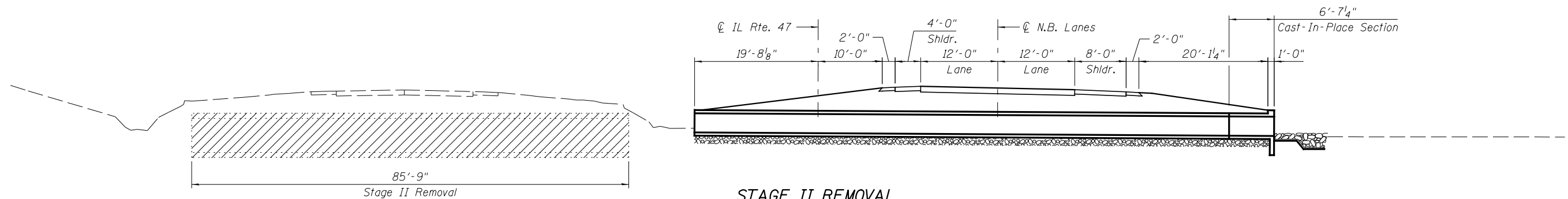


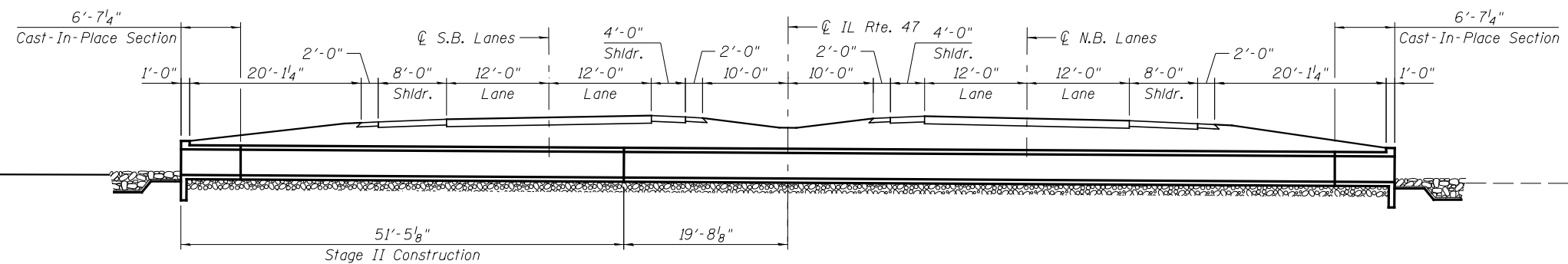
STAGE I CONSTRUCTION

(Dimensions at Rt. L's to Roadway. Looking North.)



STAGE II REMOVAL

(Dimensions at Rt. L's to Roadway. Looking North.)



STAGE II CONSTRUCTION

(Dimensions at Rt. L's to Roadway. Looking North.)

REVISED -	USER NAME =	DESIGNED - PSS
REVISED -	FILE NAME =	CHECKED - VPT
REVISED -	PLOT SCALE =	DRAWN - AJF
REVISED -	PLOT DATE =	CHECKED - VPT



STATE OF ILLINOIS
DEPARTMENT OF TRANSPORTATION

GENERAL DATA
STRUCTURE NO. 047-2562

SHEET NO. 2 OF 4 SHEETS

F.A.P. RTE.	SECTION	COUNTY	TOTAL SHEETS	SHEET NO.
326	(109, 110R-1)	KENDALL	619	369
CONTRACT NO. 66B84				

ILLINOIS FED. AID PROJECT