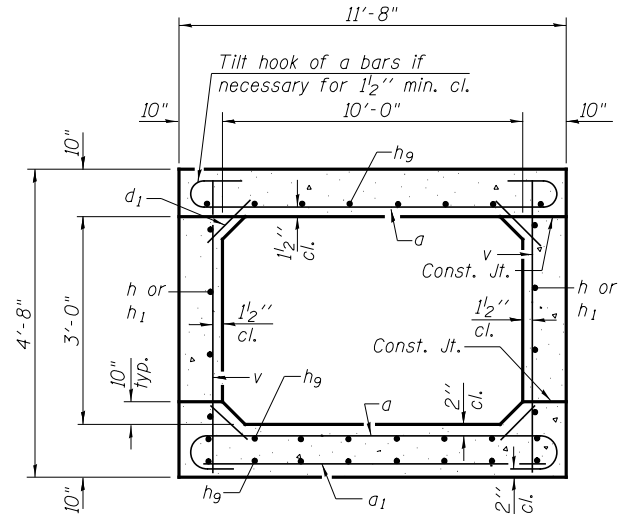


**HALF LONG. SECTION**

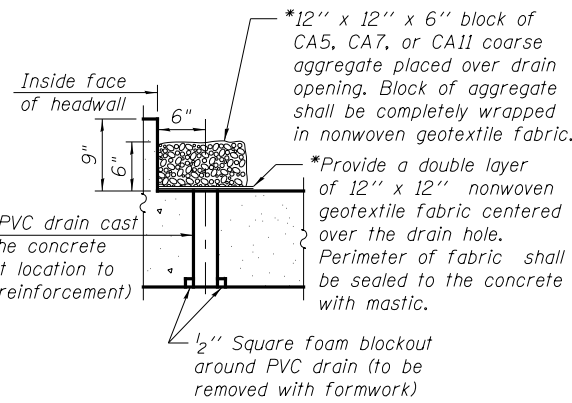
**HALF ELEVATION**

**SECTION THRU HEADWALL**  
(Up Stream End Only)

\*Nonwoven geotextile fabric shall conform to the requirements of Article 1080.01 of the Standard Specifications. The minimum weight of the fabric shall be 6 ounces per square yard.

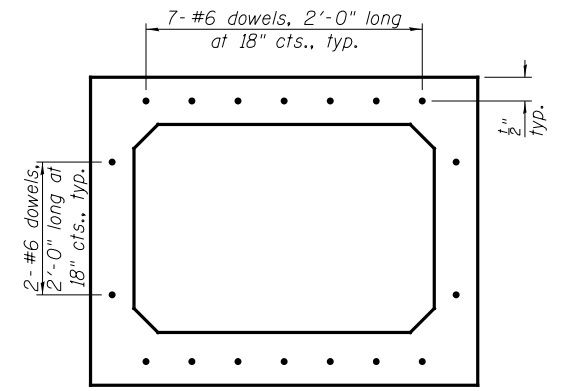


**SECTION THRU BARREL**



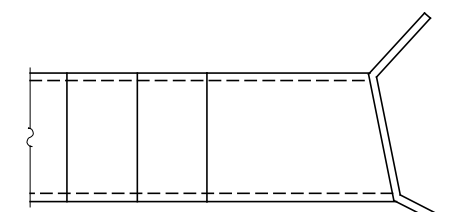
**DRAIN DETAIL**

(All costs associated with furnishing and constructing the above drain detail will not be measured for payment but shall be included in the contract unit price for the associated work.)



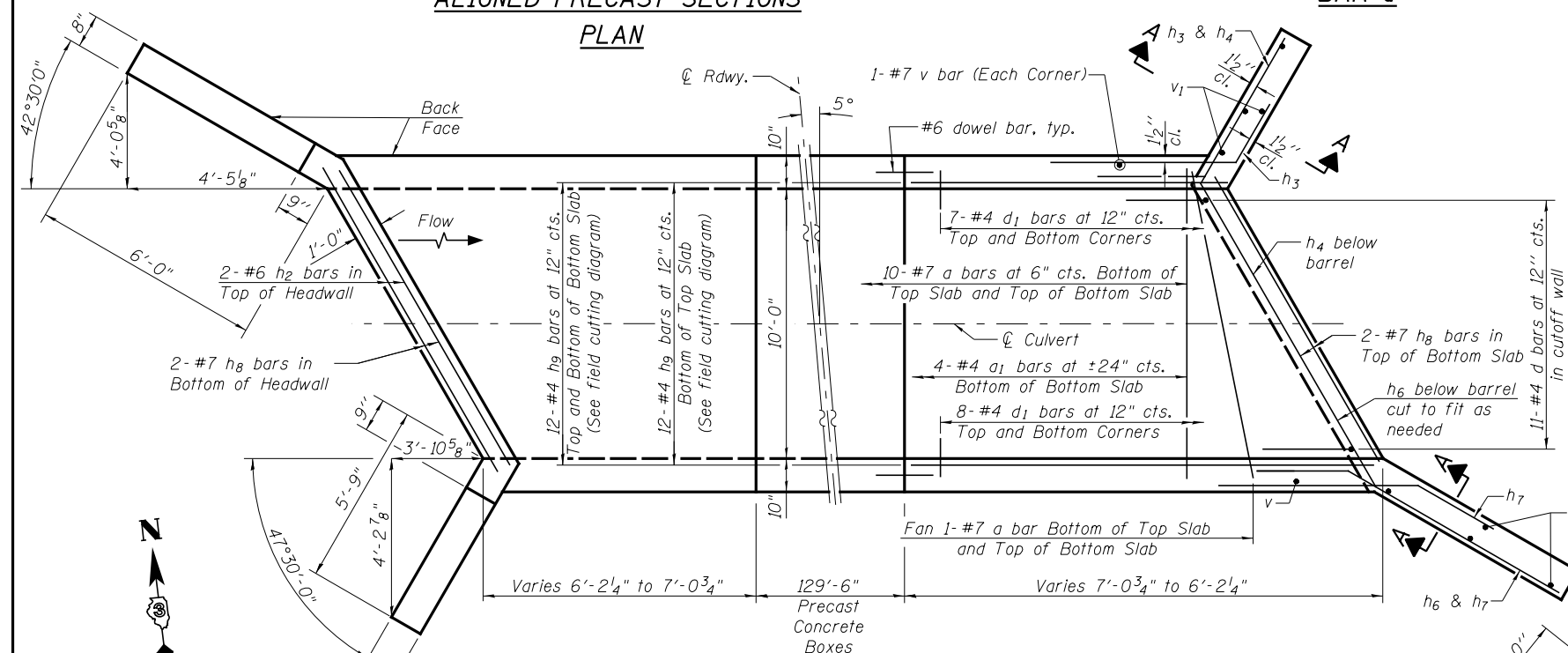
**PRECAST CONCRETE CULVERT END ELEVATION**

(Section is symmetrical about centerline of culvert)



**ALIGNED PRECAST SECTIONS PLAN**

**BAR d**

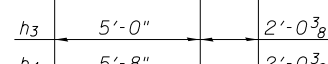


**SHOWNING OUTLINES PLAN**

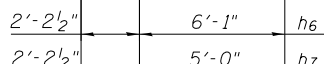
**SHOWNING REINFORCEMENT PLAN**

**BAR h9 FIELD CUTTING DIAGRAM**

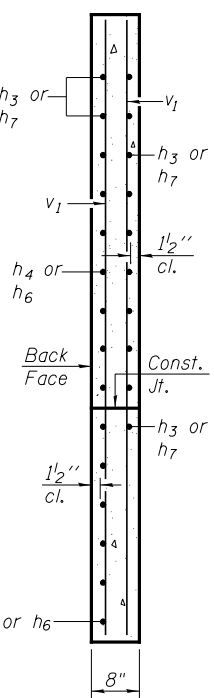
Order h9 bars full length. Cut as shown and use remainder of bars in opposite end.



**BARS h3 & h4**



**BARS h6 & h7**



**SECTION A-A**

**BILL OF MATERIAL**

Bar	No.	Size	Length	Shape	
a	44	#7	13'-1"	U	
a1	10	#4	11'-4"	—	
d	22	#4	4'-6"	L	
d1	60	#4	1'-2"	—	
h	8	#4	6'-9"	—	
h1	8	#4	5'-10"	—	
h2	4	#6	9'-11"	—	
h3	14	#5	8'-0"	—	
h4	16	#5	8'-8"	—	
h6	16	#5	9'-1"	—	
h7	14	#5	8'-0"	—	
h8	8	#7	11'-4"	—	
h9	36	#4	12'-6"	—	
v	60	#7	4'-4"	—	
v1	16	#4	7'-3"	—	
Concrete Box Culverts				Cu. Yd.	18.5
Reinforcement Bars				Pound	3120

Notes:  
A distance of half the length of the wingwall but not less than six feet of the barrel shall be poured monolithically with the wingwalls.  
Drain holes shall conform to the requirements of Article 503.11 of the Standard Specifications. Cost shall be included in the cost of Concrete Box Culverts.

REVISED -	USER NAME =	DESIGNED - PSS
REVISED -	FILE NAME =	CHECKED - VPT
REVISED -	PLOT SCALE =	DRAWN - AJF
REVISED -	PLOT DATE =	CHECKED - VPT



**STATE OF ILLINOIS**  
**DEPARTMENT OF TRANSPORTATION**

**CULVERT DETAILS**  
**STRUCTURE NO. 047-2562**

SHEET NO. 3 OF 4 SHEETS

F.A.P. RTE.	SECTION	COUNTY	TOTAL SHEETS	SHEET NO.
326	(109, 110R-1)	KENDALL	619	370
				CONTRACT NO. 66B84
ILLINOIS FED. AID PROJECT				