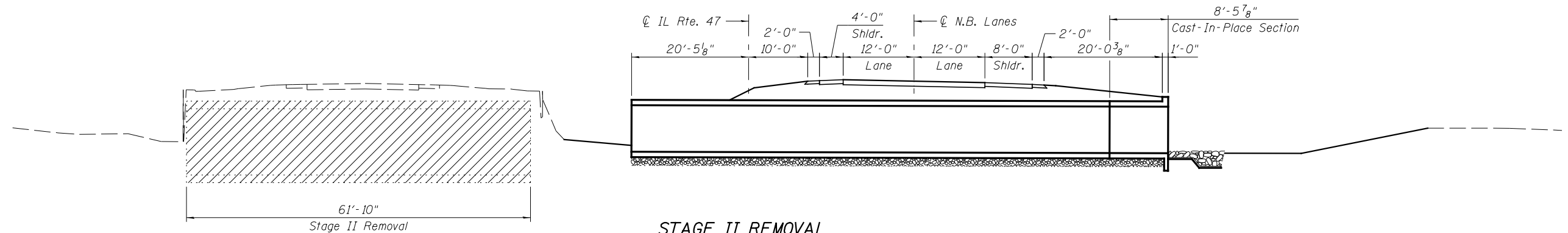
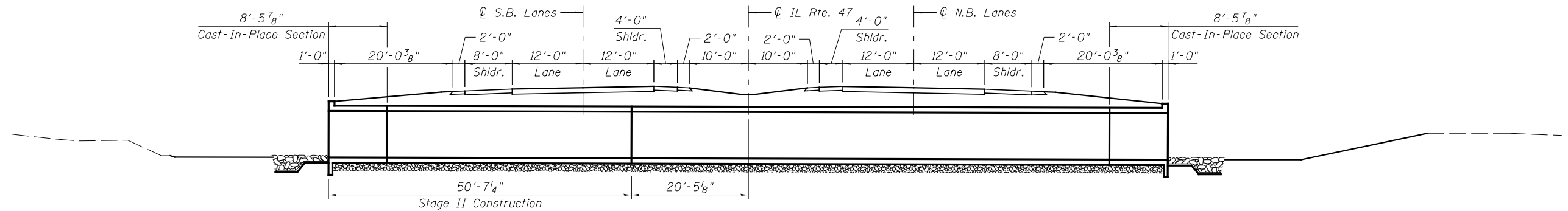


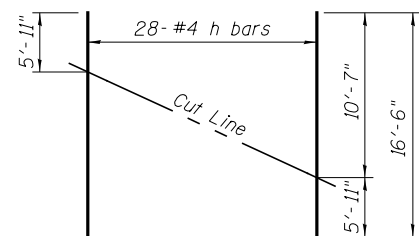
**STAGE I CONSTRUCTION**  
(Dimensions at Rt. L's to Roadway. Looking North.)



**STAGE II REMOVAL**  
(Dimensions at Rt. L's to Roadway. Looking North.)



**STAGE II CONSTRUCTION**  
(Dimensions at Rt. L's to Roadway. Looking North.)



**FIELD CUTTING DIAGRAM #1**

Order h bars full length. Cut as shown and use remainder of bars in opposite end.

REVISED -	USER NAME =	DESIGNED - PSS
REVISED -	FILE NAME =	CHECKED - VPT
REVISED -	PLOT SCALE =	DRAWN - AJF
REVISED -	PLOT DATE =	CHECKED - VPT



**STATE OF ILLINOIS**  
**DEPARTMENT OF TRANSPORTATION**

**GENERAL DATA**  
**STRUCTURE NO. 047-2033**

SHEET NO. 2 OF 4 SHEETS

F.A.P. RTE.	SECTION	COUNTY	TOTAL SHEETS	SHEET NO.
326	(109, 110R-1)	KENDALL	619	373
CONTRACT NO. 66B84				

ILLINOIS FED. AID PROJECT