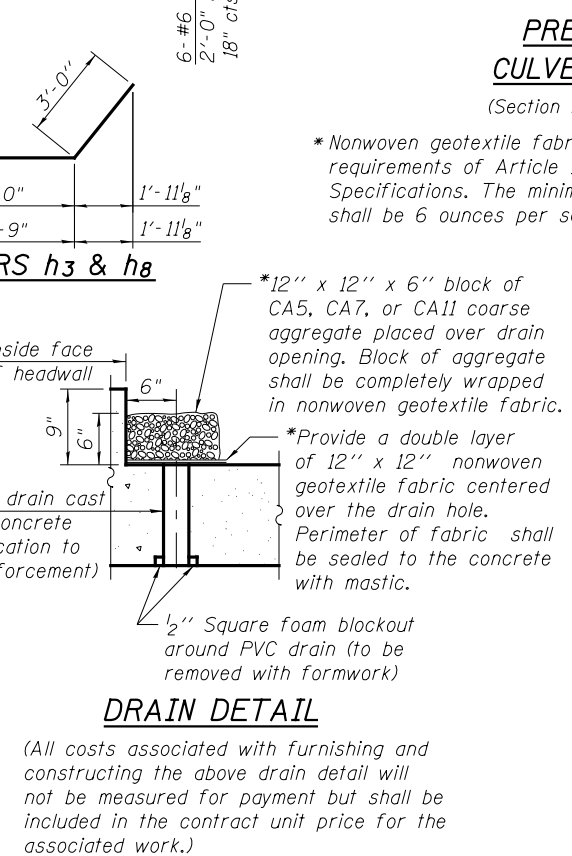


Notes:  
 A distance of half the length of the wingwall but not less than six feet of the barrel shall be poured monolithically with the wingwalls.  
 Drain holes shall conform to the requirements of Article 503.11 of the Standard Specifications. Cost shall be included in the cost of Concrete Box Culverts.



\*Nonwoven geotextile fabric shall conform to the requirements of Article 1080.01 of the Standard Specifications. The minimum weight of the fabric shall be 6 ounces per square yard.

**BILL OF MATERIAL**

Bar	No.	Size	Length	Shape
a	56	#7	28'-2"	U
a1	56	#7	26'-6"	—
d	50	#4	4'-6"	L
d1	144	#4	1'-2"	—
h	112	#4	16'-6"	—
h1	36	#4	8'-2"	—
h2	36	#4	6'-1"	—
h3	38	#8	8'-0"	—
h4	10	#6	26'-5"	—
h5	36	#4	10'-5"	—
h6	34	#8	18'-0"	—
h7	46	#8	8'-0"	—
h8	26	#8	15'-9"	—
h9	8	#7	26'-8"	—
v	120	#6	9'-6"	—
v1	16	#4	12'-4"	—
v2	56	#6	6'-9"	—
Concrete Box Culverts			Cu. Yd.	91.4
Reinforcement Bars			Pound	16120

REVISED -	USER NAME =	DESIGNED - PSS
REVISED -	FILE NAME =	CHECKED - VPT
REVISED -	PLOT SCALE =	DRAWN - AJF
REVISED -	PLOT DATE =	CHECKED - VPT

**E** LIN ENGINEERING, LTD.  
 Consulting Engineers  
 Springfield, Illinois

STATE OF ILLINOIS  
 DEPARTMENT OF TRANSPORTATION

**CULVERT DETAILS**  
 STRUCTURE NO. 047-2033  
 SHEET NO. 3 OF 4 SHEETS

F.A.P. RT.	SECTION	COUNTY	TOTAL SHEETS	SHEET NO.
326	(109, 110R-1)	KENDALL	619	374
CONTRACT NO. 66B84			ILLINOIS FED. AID PROJECT	