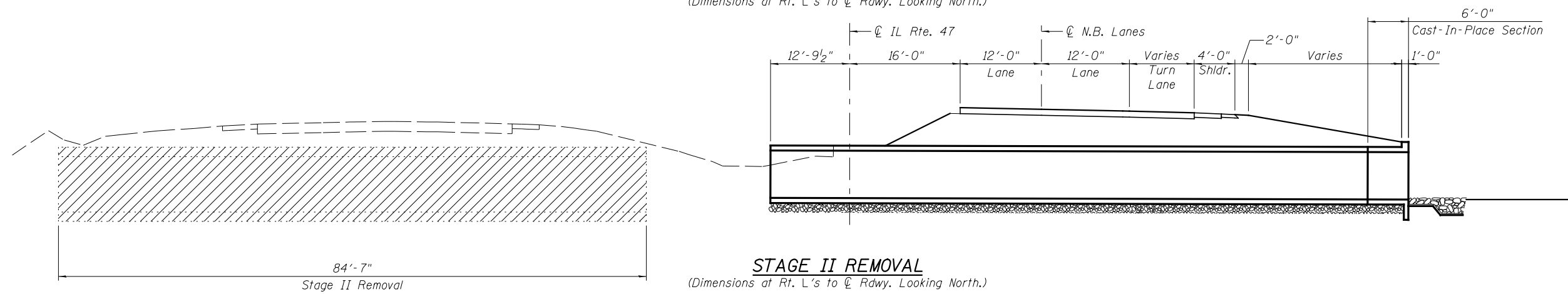
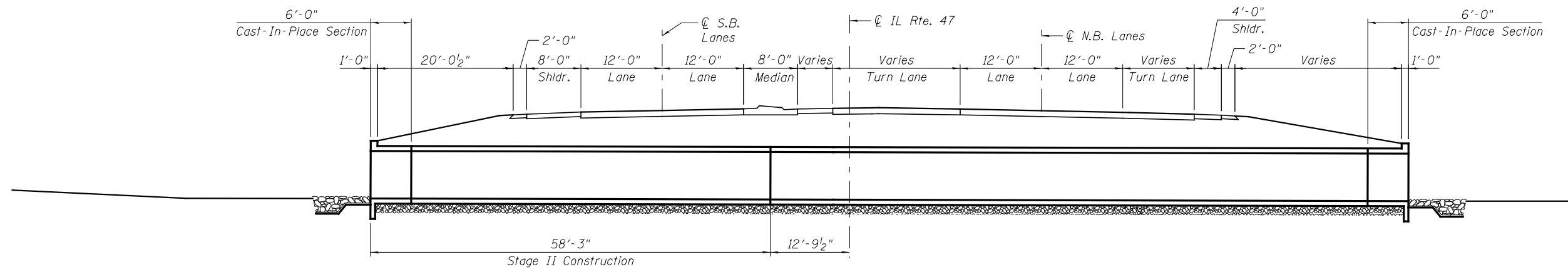


STAGE I CONSTRUCTION
 (Dimensions at Rt. L's to \bar{C} Rdwy. Looking North.)



STAGE II REMOVAL
 (Dimensions at Rt. L's to \bar{C} Rdwy. Looking North.)



STAGE II CONSTRUCTION
 (Dimensions at Rt. L's to \bar{C} Rdwy. Looking North.)

REVISED -	USER NAME =	DESIGNED - PSS
REVISED -	FILE NAME =	CHECKED - VPT
REVISED -	PLOT SCALE =	DRAWN - AJF
REVISED -	PLOT DATE =	CHECKED - VPT



STATE OF ILLINOIS
DEPARTMENT OF TRANSPORTATION

GENERAL DATA
STRUCTURE NO. 047-2022

SHEET NO. 2 OF 4 SHEETS

F.A.P. RTE.	SECTION	COUNTY	TOTAL SHEETS	SHEET NO.
326	(109, 110R-1)	KENDALL	619	377
CONTRACT NO. 66B84				
ILLINOIS FED. AID PROJECT				