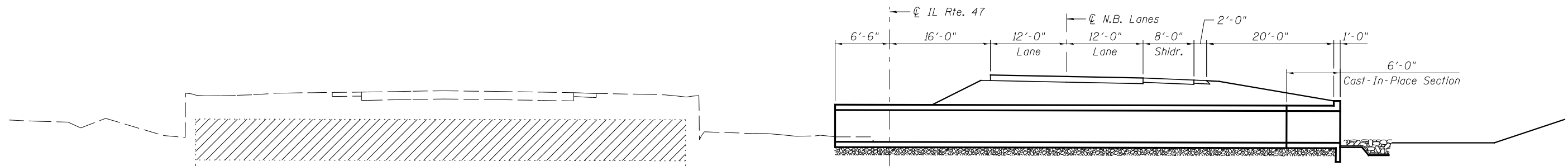
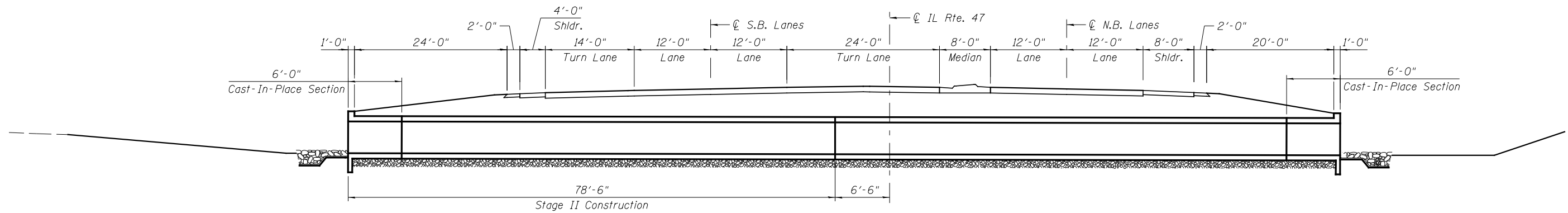


STAGE I CONSTRUCTION
 (Dimensions at Rt. L's to \varnothing Rdwy. Looking North.)



STAGE II REMOVAL
 (Dimensions at Rt. L's to \varnothing Rdwy. Looking North.)



STAGE II CONSTRUCTION
 (Dimensions at Rt. L's to \varnothing Rdwy. Looking North.)

REVISED -	USER NAME =	DESIGNED - PSS
REVISED -	FILE NAME =	CHECKED - VPT
REVISED -	PLOT SCALE =	DRAWN - AJF
REVISED -	PLOT DATE =	CHECKED - VPT



STATE OF ILLINOIS
DEPARTMENT OF TRANSPORTATION

GENERAL DATA
STRUCTURE NO. 047-2030

F.A.P. RTE.	SECTION	COUNTY	TOTAL SHEETS	SHEET NO.
326	(109, 110R-1)	KENDALL	619	381
CONTRACT NO. 66B84				