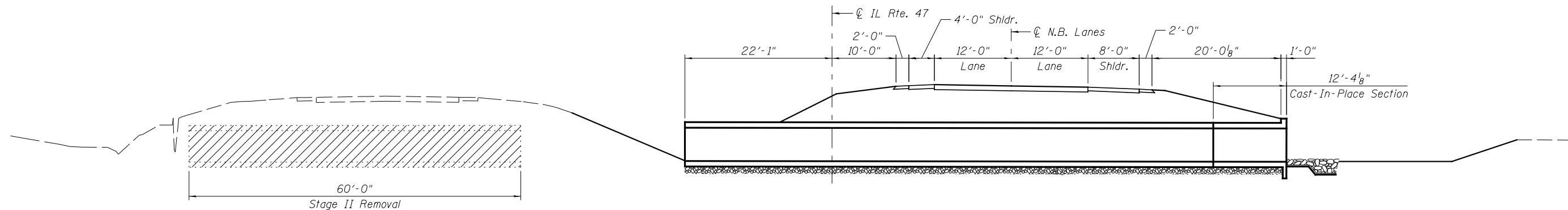


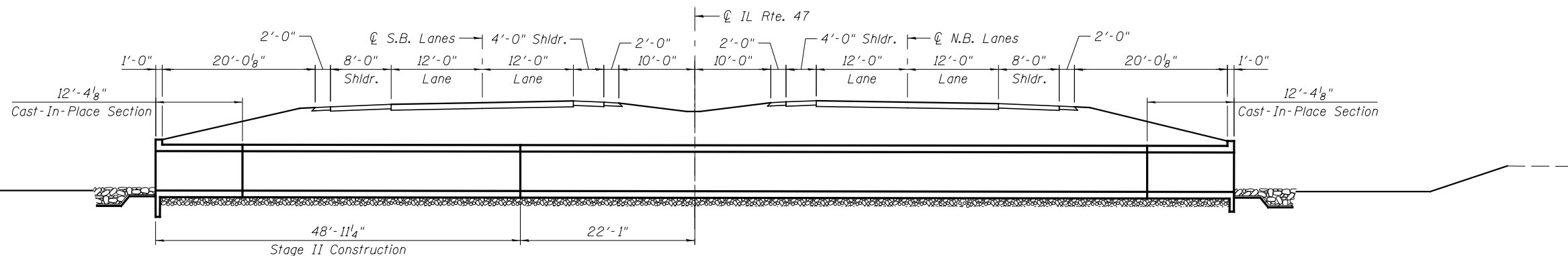
STAGE I CONSTRUCTION

(Dimensions at Rt. L's to Roadway. Looking North.)



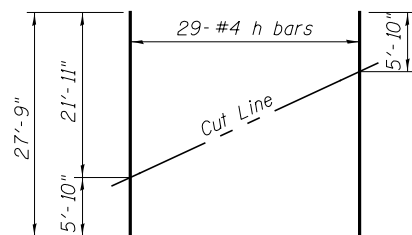
STAGE II REMOVAL

(Dimensions at Rt. L's to Roadway. Looking North.)



STAGE II CONSTRUCTION

(Dimensions at Rt. L's to Roadway. Looking North.)



FIELD CUTTING DIAGRAM #1

Order h bars full length. Cut as shown and use remainder of bars in opposite end.

REVISED -	USER NAME =	DESIGNED - PSS
REVISED -	FILE NAME =	CHECKED - VPT
REVISED -	PLOT SCALE =	DRAWN - AJF
REVISED -	PLOT DATE =	CHECKED - VPT



**STATE OF ILLINOIS
DEPARTMENT OF TRANSPORTATION**

**GENERAL DATA
STRUCTURE NO. 047-2032**

SHEET NO. 2 OF 5 SHEETS

F.A.P. RTE.	SECTION	COUNTY	TOTAL SHEETS	SHEET NO.
326	(109, 110R-1)	KENDALL	619	385
CONTRACT NO. 66B84				
ILLINOIS FED. AID PROJECT				