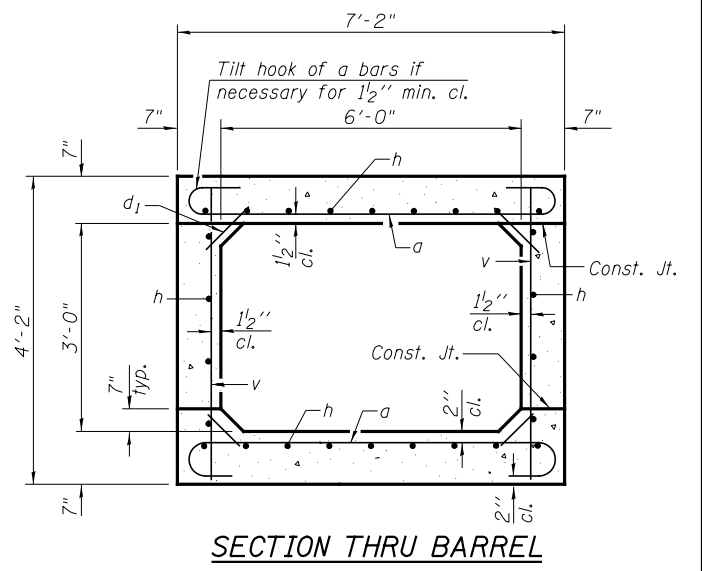
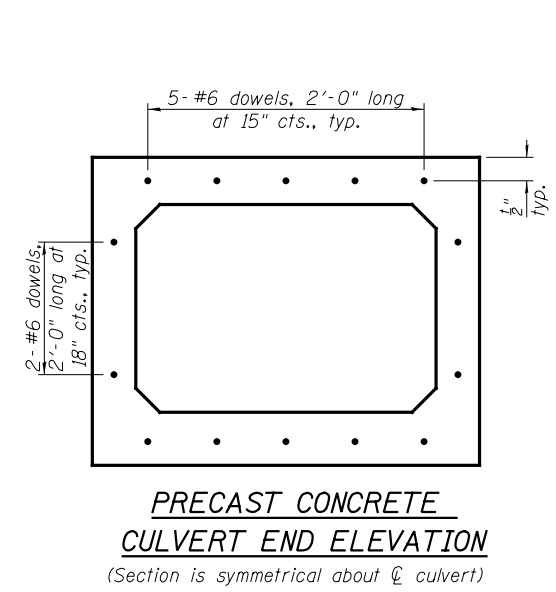
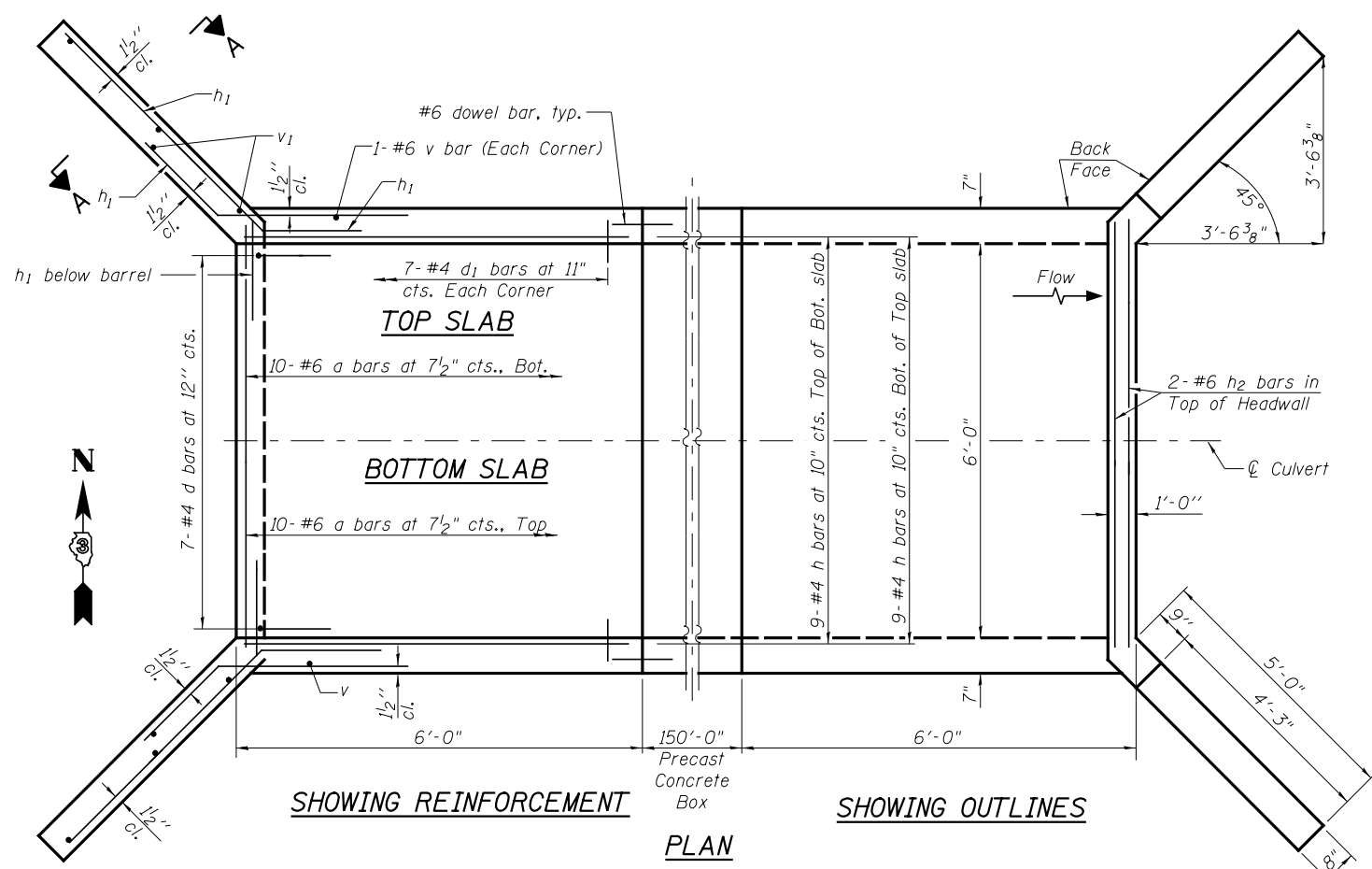
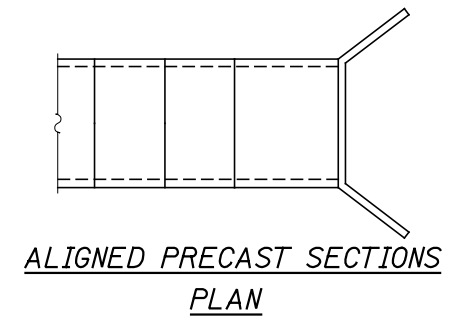


END LONG. SECTION

END ELEVATION

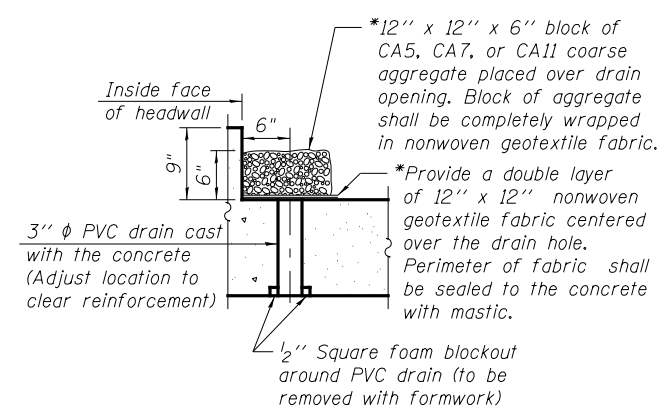


* Nonwoven geotextile fabric shall conform to the requirements of Article 1080.01 of the Standard Specifications. The minimum weight of the fabric shall be 6 ounces per square yard.

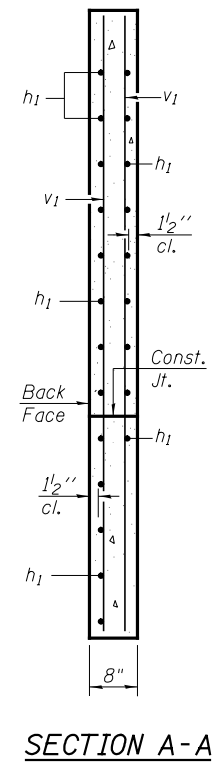
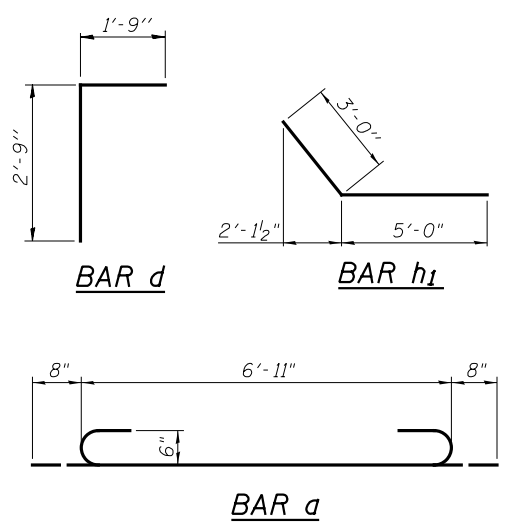


SHOWING REINFORCEMENT

SHOWING OUTLINES



(All costs associated with furnishing and constructing the above drain detail will not be measured for payment but shall be included in the contract unit price for the associated work.)



SECTION THRU HEADWALL (Up Stream End Only)

BILL OF MATERIAL

Bar	No.	Size	Length	Shape
a	40	#6	8'-3"	U
a1	2	#4	5'-10"	—
d	14	#4	4'-6"	L
d1	56	#4	1'-2"	—
h	52	#4	5'-8"	—
h1	52	#5	8'-0"	—
h2	4	#6	5'-10"	—
v	44	#6	3'-10"	—
v1	16	#4	6'-9"	—
Concrete Box Culverts			Cu. Yd.	9.9
Reinforcement Bars			Pound	1590

Notes:
A distance of half the length of the wingwall but not less than six feet of the barrel shall be poured monolithically with the wingwalls.
Drain holes shall conform to the requirements of Article 503.11 of the Standard Specifications. Cost shall be included in the cost of Concrete Box Culverts.