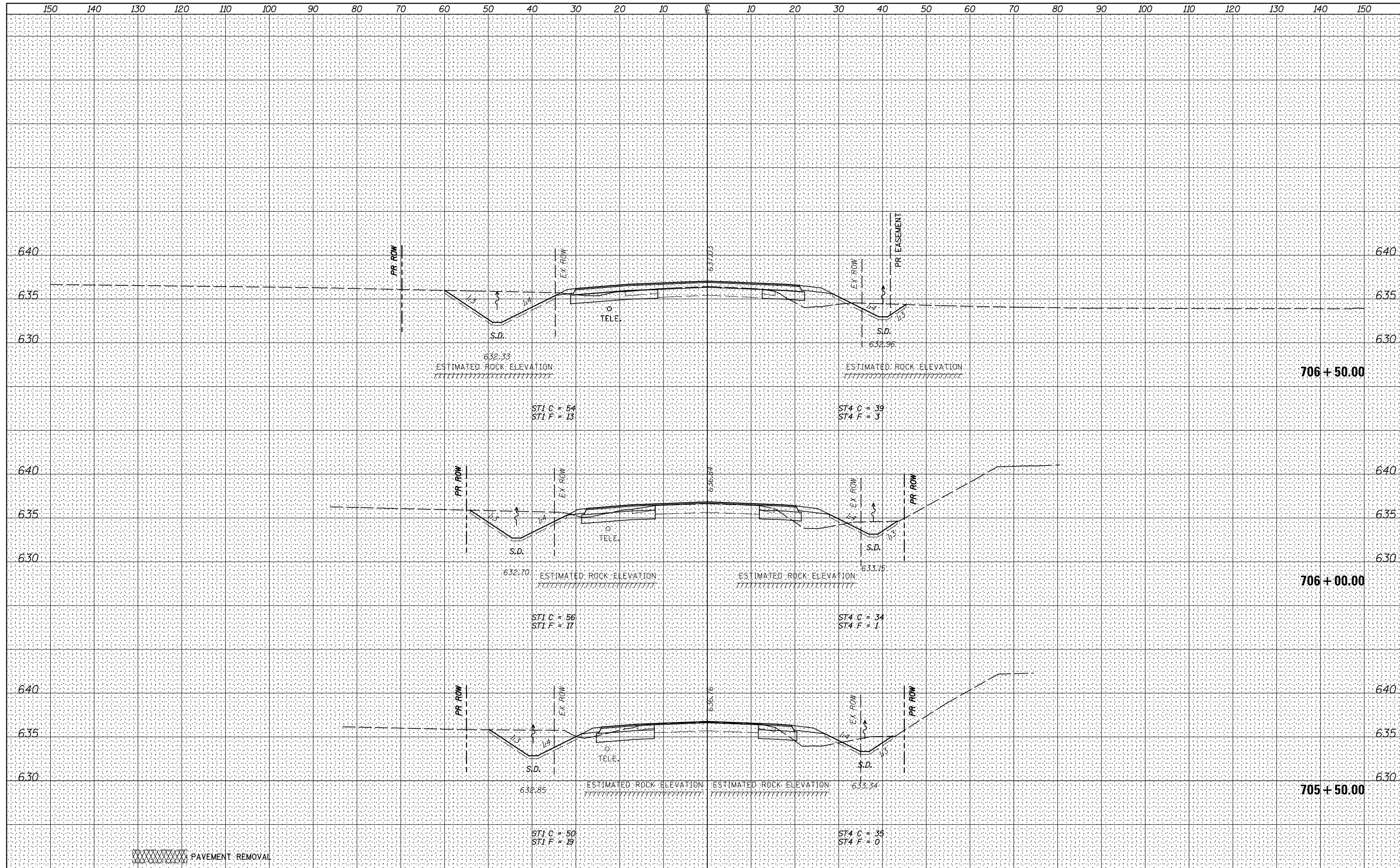


DATE	
BY	
FINAL SURVEY	
PLOTTED	
TEMPLATE	
NOTE BOOK	
AREAS CHECKED	
NO.	

DATE	
BY	
ORIGINAL SURVEY	
PLOTTED	
TEMPLATE	
AREAS CHECKED	
NO.	



PAVEMENT REMOVAL

FILE NAME =	USER NAME = bdecrane	DESIGNED - HLC	REVISED -	STATE OF ILLINOIS DEPARTMENT OF TRANSPORTATION	JOLIET ROAD CROSS SECTIONS	F.A.P. RTE.	SECTION	COUNTY	TOTAL SHEETS	SHEET NO.
V:\3195\66884 (North Section)\CADD Sheets\0366884-sh1-xsht-Joliet.dgn	DRAWN - HLC	REVISOR -	326			(109,110) R-1	KENDALL	619	582	
MODELNAME	PLLOT SCALE = 20.0000' / in.	CHECKED - CAS	REVISOR -			CONTRACT NO. 66884				
	PLLOT DATE = 7/14/2014	DATE - 7/01/2014	REVISOR -			ILLINOIS FED. AID PROJECT				
SCALE: H=10 V=5						SHEET 4 OF 6 SHEETS		STA. 705+50.00 TO STA. 706+50.00		