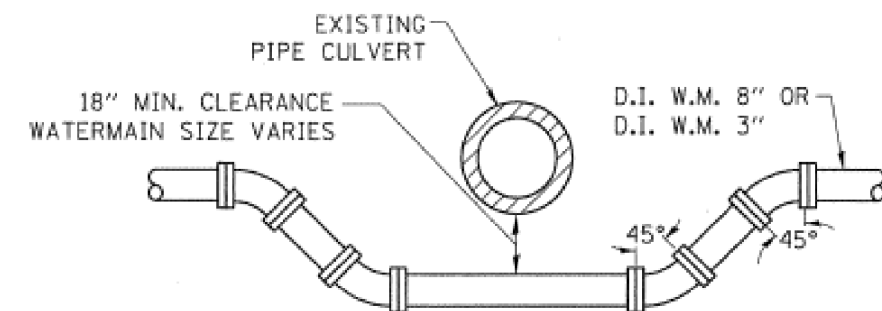
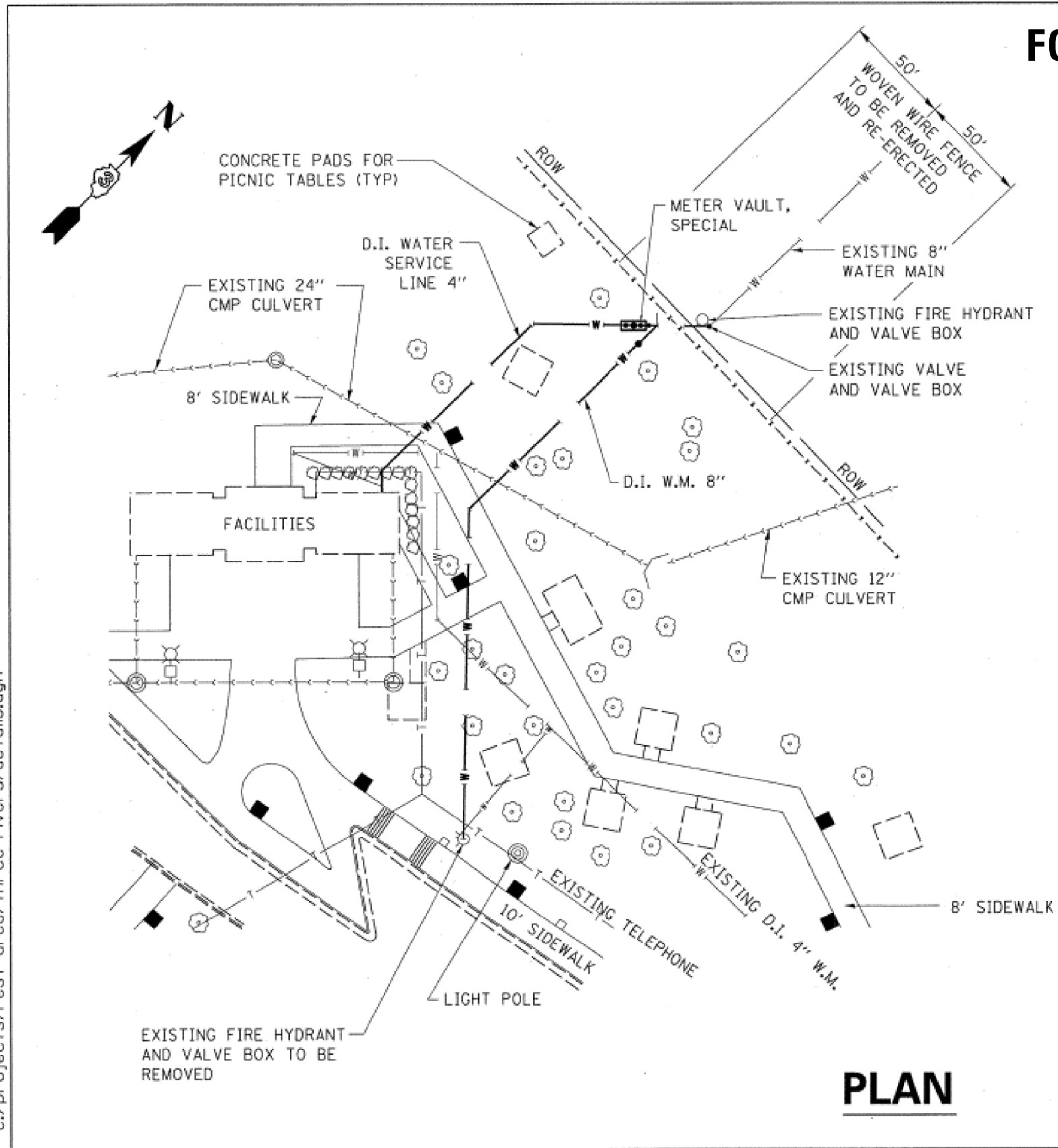


F.A.I. R.T.C.	SECTION	COUNTY	TOTAL SHEETS	SHEET NO.
80	132,47-4)RA-2	GRUNDY	19	10
FED. ROAD DIST. NO.		ILLINOIS	STATE AID PROJECT	

FOR INFORMATION ONLY



WATER MAIN AND PIPE CULVERT SEPARATION DETAIL

GENERAL NOTES

1. PIPE MATERIAL WILL BE AS INDICATED ON THE PLANS.
2. TYPICAL DETAILS AS SHOWN IN THESE PLAN ILLUSTRATE THE ENGINEER'S CONCEPTION FOR INSTALLING WATER MAINS. THEY ARE NOT PRESENTED AS A SOLUTION TO ALL CONSTRUCTION PROBLEMS ENCOUNTERED IN THE FIELD. THE CONTRACTOR MAY ALTER HIS METHOD OF CONSTRUCTION TO SUIT FIELD CONDITIONS, PROVIDED HE SUBMITS HIS PROPOSED ALTERNATE TO THE ENGINEER FOR APPROVAL AND THAT HE USES MATERIAL ONLY AS DESIGNATED IN THE SPECIFICATIONS. NO ADDITIONAL COMPENSATION WILL BE ALLOWED FOR ANY CHANGES INSTIGATED BY THE CONTRACTOR.
3. ALL WATER MAIN CONSTRUCTION SHALL CONFORM TO THE "STANDARD SPECIFICATIONS FOR WATER MAIN CONSTRUCTION IN ILLINOIS," LATEST EDITION.
4. ALL WORK ON EXISTING WATER MAINS, AND SERVICES SHALL BE COORDINATED WITH THE CITY OF MINOOKA WATER DEPARTMENT. THE CITY WATER DEPARTMENT SHALL BE NOTIFIED A MINIMUM OF SEVENTY TWO (72) HOURS PRIOR TO THE START OF WORK.
5. IF A LEAD SERVICE IS ENCOUNTERED, THE CONTRACTOR SHALL REPLACE THE SERVICE LINE, INCLUDING THE CORPORATION STOP, FROM THE MAIN TO THE RIGHT-OR-WAY LINE. THIS WORK WILL BE PAID FOR ACCORDING TO ARTICLE 109.04 OF THE STANDARD SPECIFICATIONS.

DATE: 10/12/2006
C:/projects/rest area/three rivers/details.dgn

PLAN

GRUNDY COUNTY SECTION (32,47-4)RA-2 FAI 80 (I-80)

REVISIONS	
NAME	DATE

ILLINOIS DEPARTMENT OF TRANSPORTATION
SITE PLAN
WESTBOUND REST AREA
F.A.I. ROUTE 80
SECTION (32,47-4)RA-2
GRUNDY COUNTY

FILE NAME =	USER NAME = Schwankerg	DESIGNED -	REVISED -
c:/pwork/work\pwork\schwankerg\d0410675\066E29-sht-details.dgn		DRAWN -	REVISED -
		CHECKED -	REVISED -
		DATE -	REVISED -
\$MODELNAME\$	PLOT DATE = 8/22/2014		

STATE OF ILLINOIS
DEPARTMENT OF TRANSPORTATION

THREE RIVERS WESTBOUND REST AREA			
SCALE:	SHEET	OF SHEETS	STA. TO STA.

*2015-1 TREE REMOVAL FOR EAB CONTROL

F.A.I. R.T.C.	SECTION	COUNTY	TOTAL SHEETS	SHEET NO.
80&55	*	GRUNDY/LIV.	20	10
CONTRACT NO. 66E29				
ILLINOIS FED. AID PROJECT				