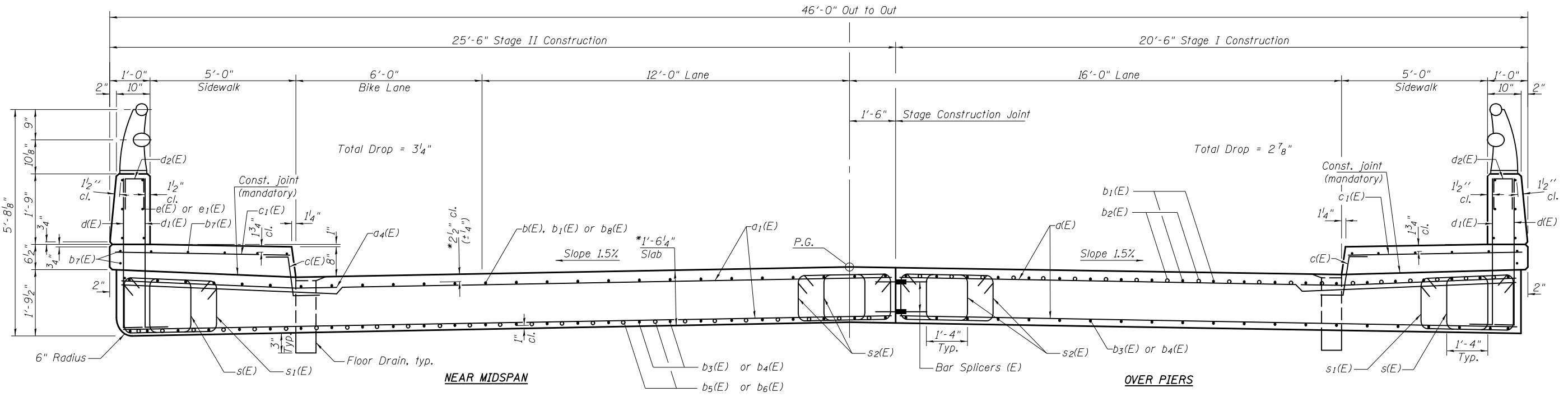
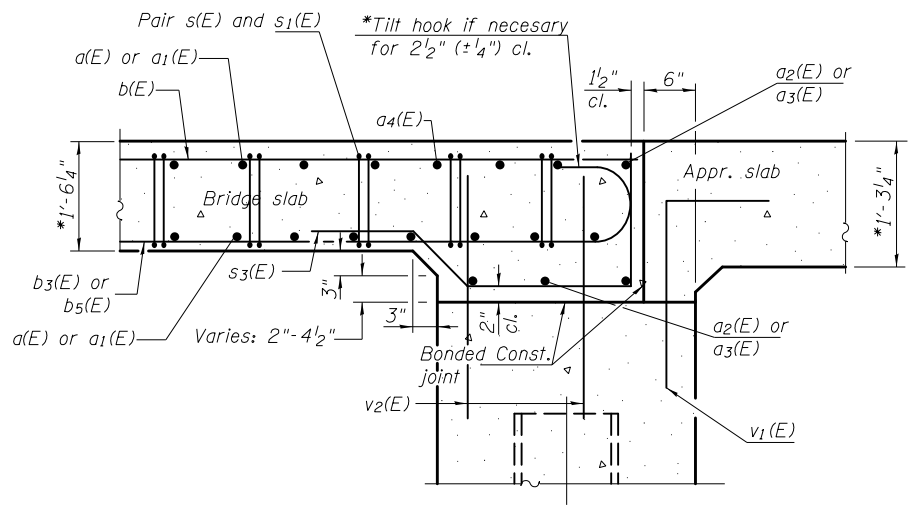


\* Prior to Diamond Grinding of Bridge Section.

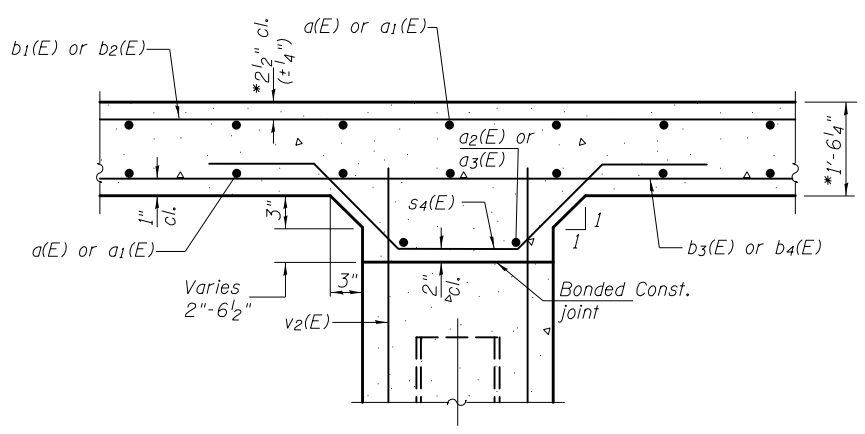
☉ F.A.P. 730



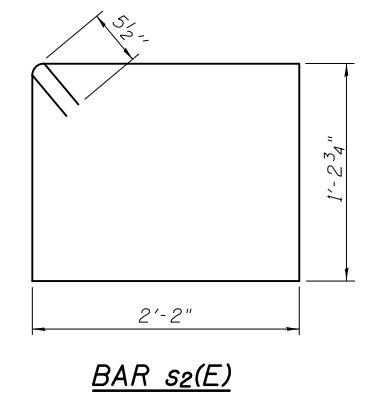
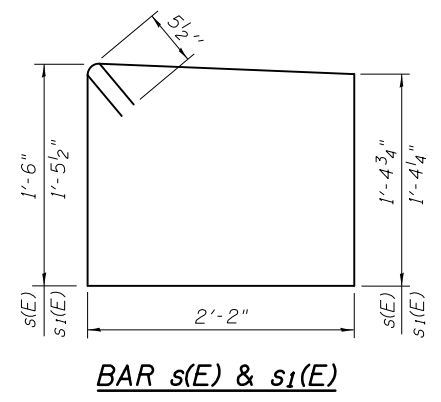
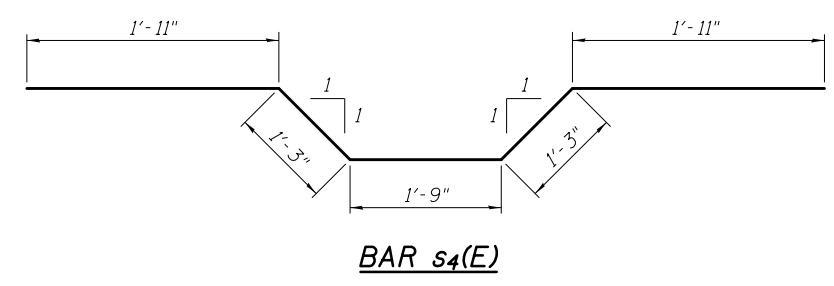
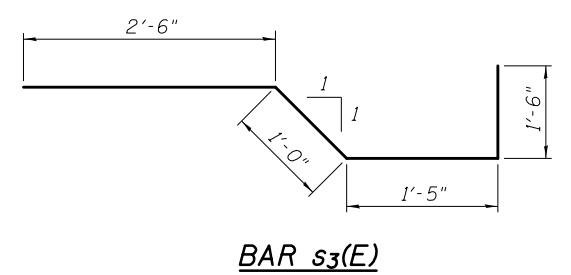
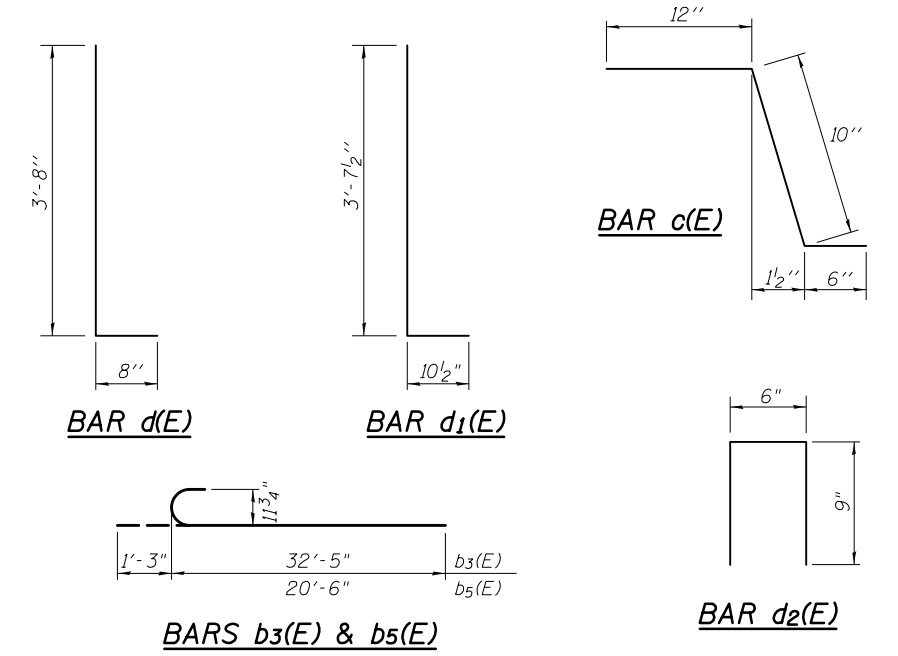
**CROSS SECTION**  
(Looking South)



**SECTION A-A**  
Dimensions at Rt. L's to Abutment



**SECTION B-B**  
Dimensions at Rt. L's to Pier



(Sheet 1 of 2)



|                           |                |         |
|---------------------------|----------------|---------|
| USER NAME = ceerlockjd    | DESIGNED - VPT | REVISED |
| PLOT SCALE = 0.1667' / 1" | CHECKED - JAF  | REVISED |
| PLOT DATE = 8/12/2014     | DRAWN - JAF    | REVISED |
|                           | CHECKED - VPT  | REVISED |

STATE OF ILLINOIS  
DEPARTMENT OF TRANSPORTATION

SUPERSTRUCTURE DETAILS  
STRUCTURE NO. 057-0256

SHEET NO. 10 OF 23 SHEETS

|                           |                |               |                 |              |
|---------------------------|----------------|---------------|-----------------|--------------|
| F.A.P. RTE. 730           | SECTION 62-ZBR | COUNTY MCLEAN | TOTAL SHEETS 65 | SHEET NO. 37 |
| CONTRACT NO. 70540        |                |               |                 |              |
| ILLINOIS FED. AID PROJECT |                |               |                 |              |