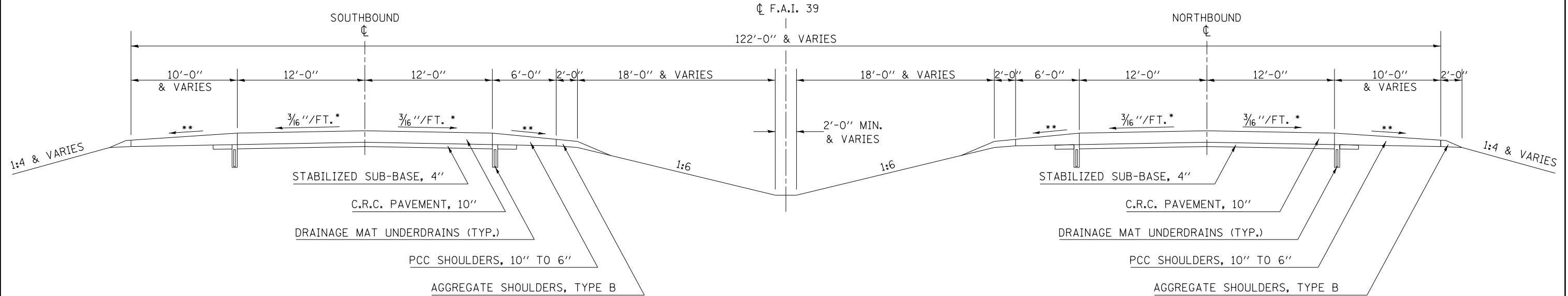


# EXISTING TYPICAL SECTION F.A.I. 39

1

	STATION	TO	STATION
SB	306+14.00		306+35.80 (BK)
NB	306+01.00		306+35.80 (BK)
SB & NB	305+66.49 (AH)		377+24.54 (BK)
SB & NB	370+00.00 (AH)		511+11.00 ②

OMISSIONS FROM SECTION		STATION	TO	STATION
(SN 057-0205) SB		341+13.00		345+41.00
(SN 057-0206) NB		341+34.00		345+53.00

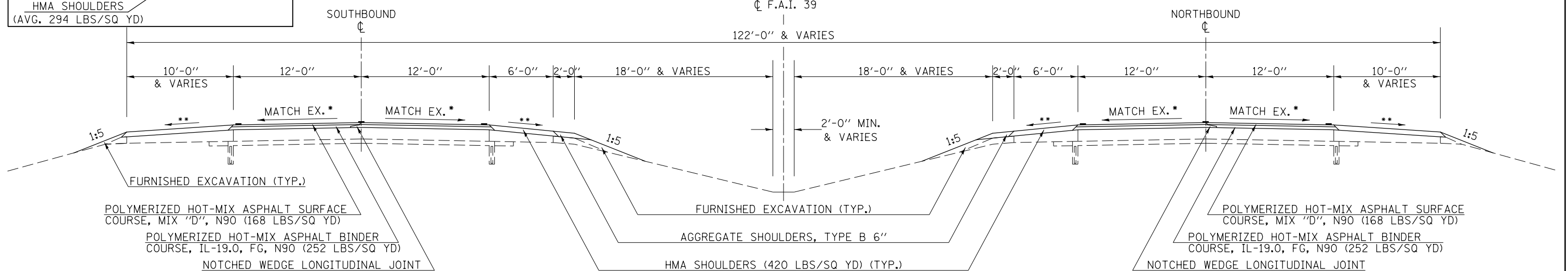
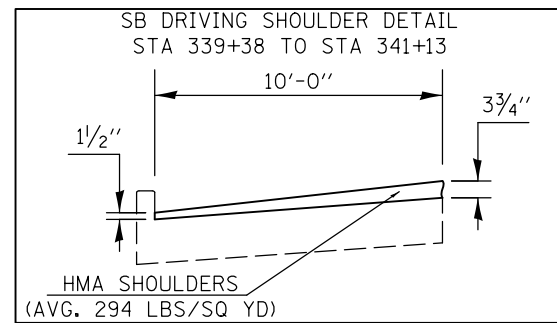


# PROPOSED TYPICAL SECTION F.A.I. 39

1

	STATION	TO	STATION
SB	306+14.00		306+35.80 (BK)
NB	306+01.00		306+35.80 (BK)
SB & NB	305+66.49 (AH)		377+24.54 (BK)
SB & NB	370+00.00 (AH)		511+11.00 ②

OMISSIONS FROM SECTION		STATION	TO	STATION
(SN 057-0205) SB		341+13.00		345+41.00
(SN 057-0206) NB		341+34.00		345+53.00



- \* SLOPE VARIES FOR SUPERELEVATION IN CURVES
- \*\* SLOPE VARIES IN SUPERELEVATION WITH MAXIMUM OF 0.08 FT/FT DIFFERENCE

FILE NAME =	USER NAME = bergenej	DESIGNED -	REVISED -	<b>STATE OF ILLINOIS DEPARTMENT OF TRANSPORTATION</b>	<b>TYPICAL SECTIONS</b>		F.A.I. RTE.	SECTION	COUNTY	TOTAL SHEETS	SHEET NO.
ei:\pwork\pwork\bergenej\0373914\057020-SHT-TYPICAL.dgn	PLOT SCALE = 40.0000' / in.	DRAWN -	REVISED -				39	(57-3,57-4)RS	MCLEAN	90	12
*MODELNAME#	PLOT DATE = 8/7/2014	CHECKED -	REVISED -		SCALE: SHEET 1 OF 3 SHEETS STA. TO STA.		CONTRACT NO. 70A20				
		DATE -	REVISED -		ILLINOIS FED. AID PROJECT						