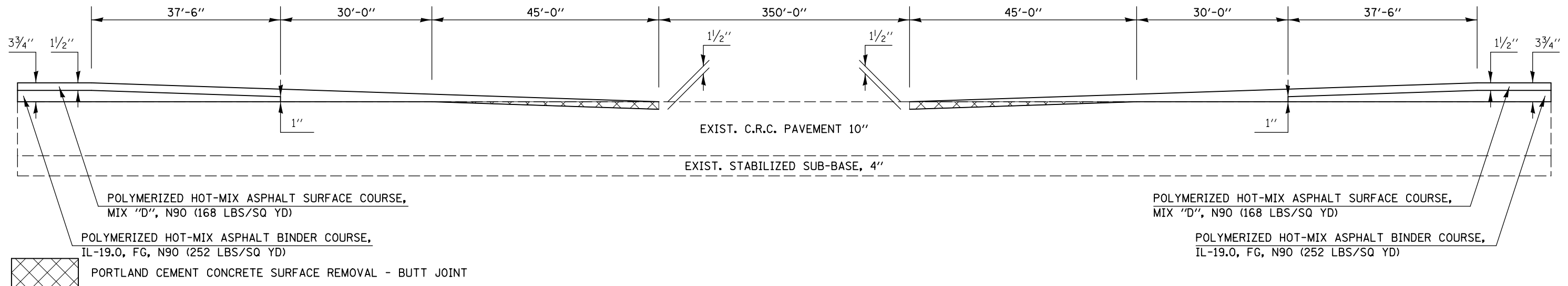


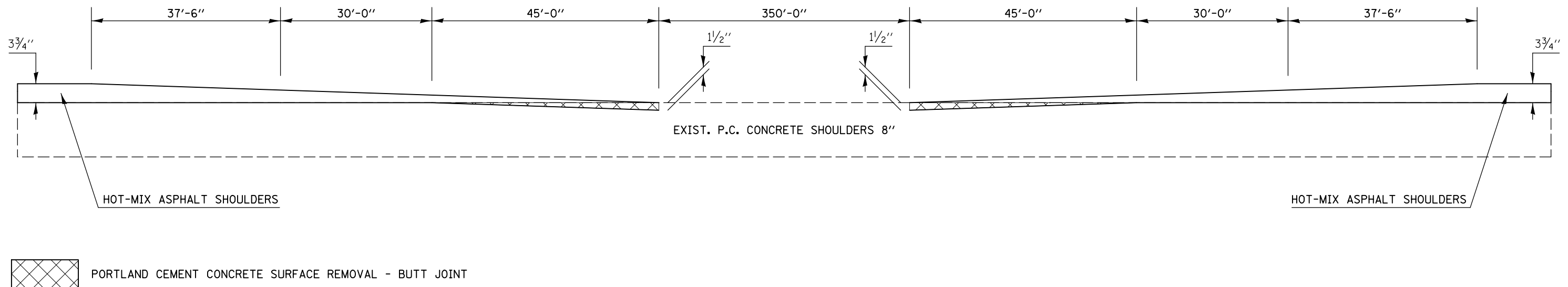
## DETAIL FOR I-39 PAVING TRANSITIONS UNDER S.N. 057-0213

STATION 502+18.00 TO STATION 507+93.00 UNDER S.N. 057-0204



## DETAIL FOR I-39 SHOULDER PAVING TRANSITIONS UNDER S.N. 057-0213

STATION 502+18.00 TO STATION 507+93.00 UNDER S.N. 057-0204



FILE NAME =	USER NAME = bergenej	DESIGNED -	REVISED -	<b>STATE OF ILLINOIS DEPARTMENT OF TRANSPORTATION</b>	<b>MILLING AND PAVING TRANSITION DETAILS</b>	F.A.I. RTE.	SECTION	COUNTY	TOTAL SHEETS	SHEET NO.	
		DRAWN -	REVISED -			39	(57-3,57-4)RS	MCLEAN	90	40	
		CHECKED -	REVISED -			CONTRACT NO. 70A20					
		DATE -	REVISED -			ILLINOIS FED. AID PROJECT					
*MODELNAME#		PLOT SCALE = 40.0000' / in.	PLOT DATE = 8/7/2014	SCALE:		SHEET 3 OF 4 SHEETS		STA. TO STA.			