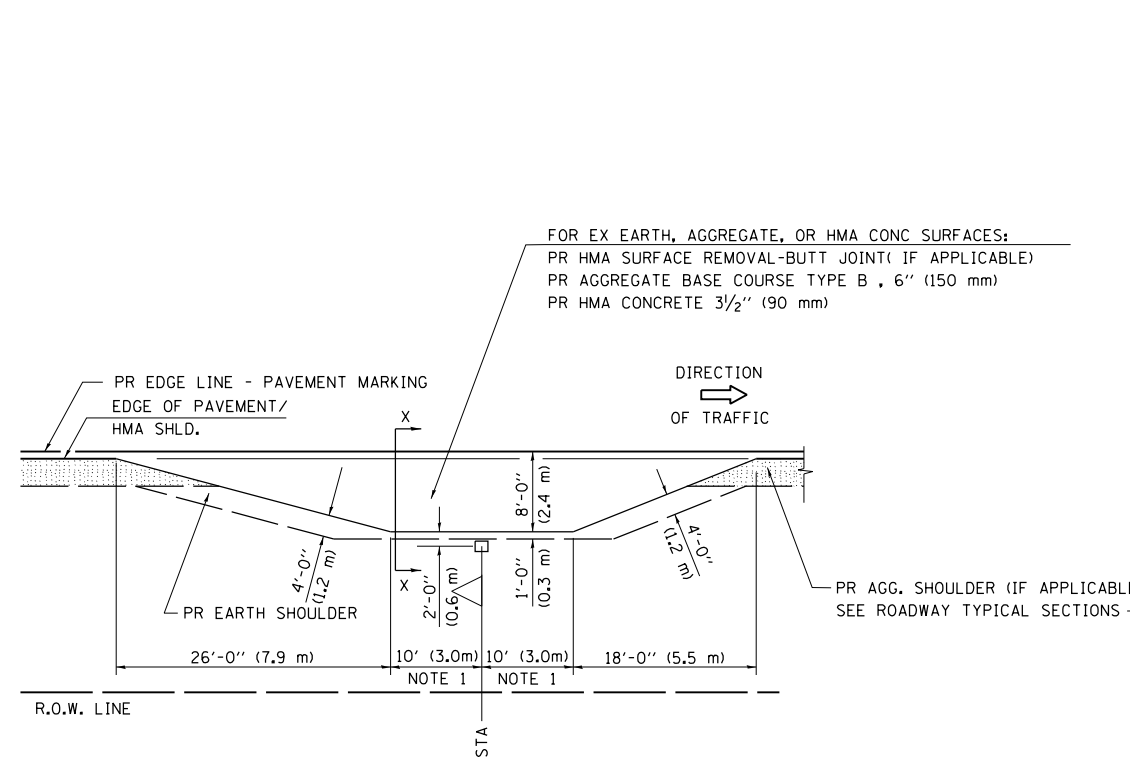
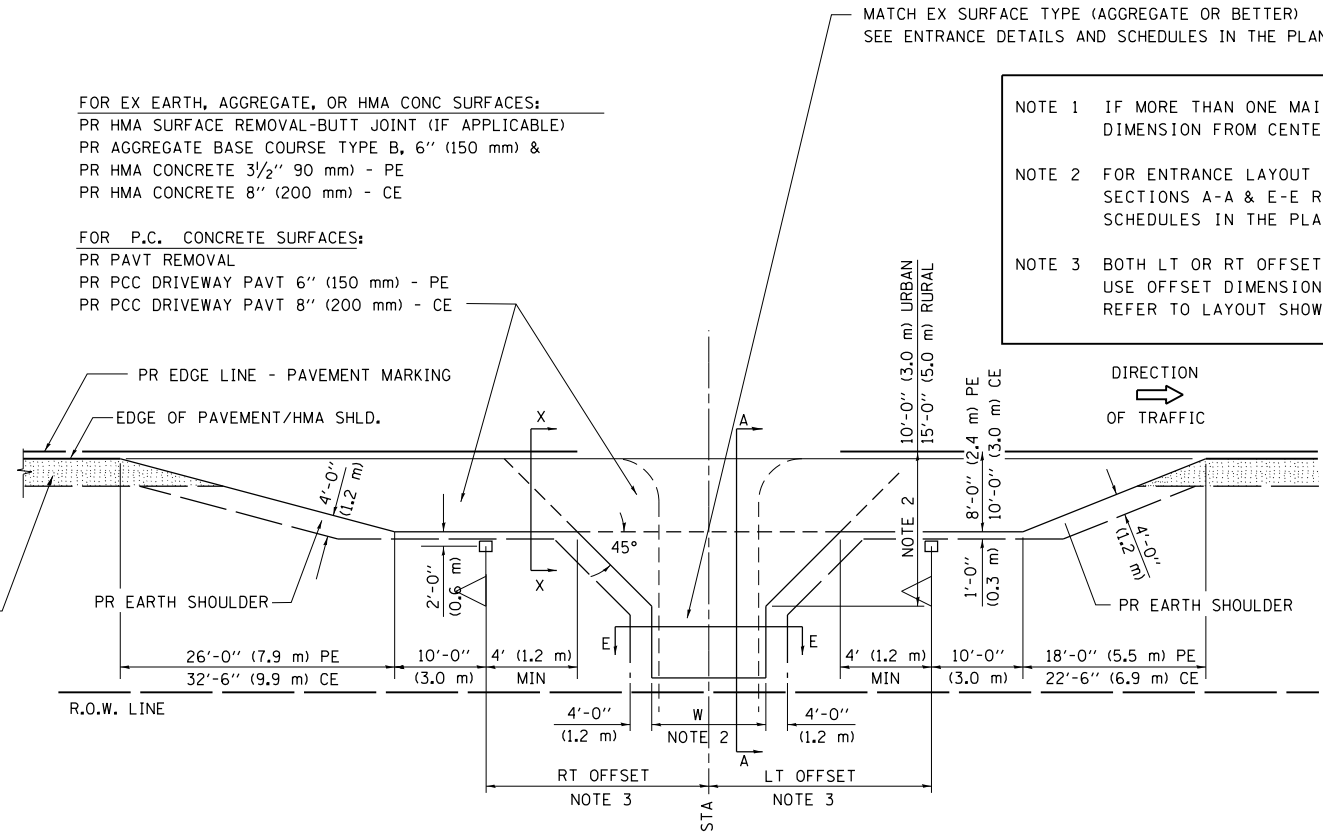


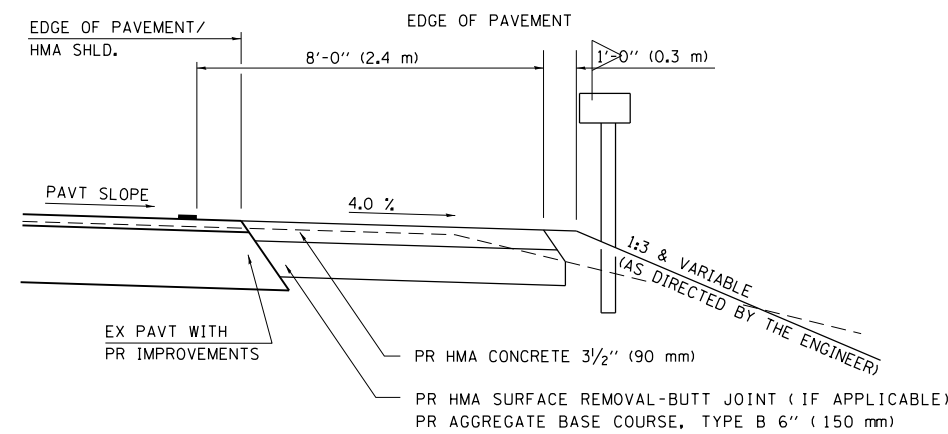
DETAILS OF MAILBOX TURNOUTS



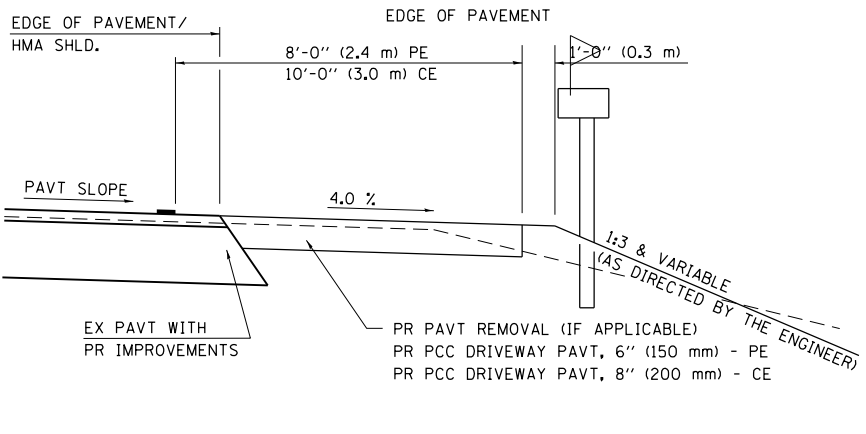
PLAN - MAILBOX TURNOUTS



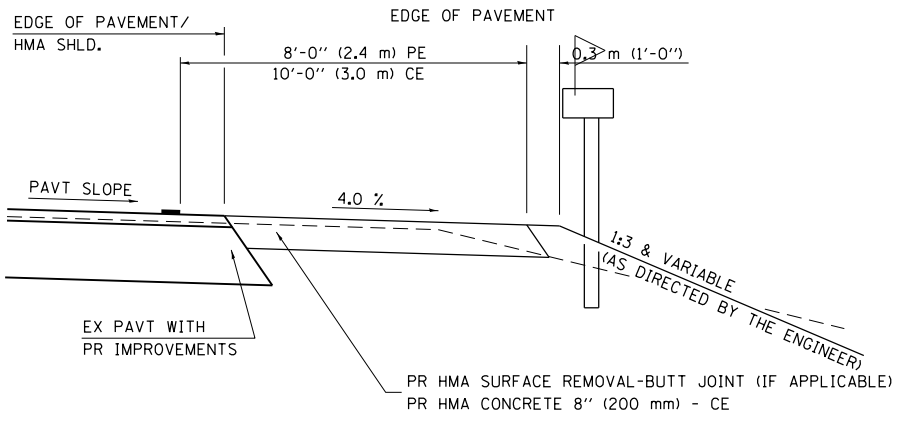
PLAN - COMBINED MAILBOX TURNOUT WITH TRAILING OR LEADING ENTRANCE



**SECTION X-X THRU MAILBOX TURNOUT
 ALSO APPLIES TO MAILBOX TURNOUTS COMBINED WITH
 EX EARTH, AGGREGATE, OR HMA PE & FE**



**SECTION X-X THRU MAILBOX TURNOUT
 COMBINED WITH EX CONC PE OR CE**



**SECTION X-X THRU MAILBOX TURNOUT
 COMBINED WITH EX EARTH, AGGREGATE, OR HMA CE**

FILE NAME =	USER NAME = sparksgw	DESIGNED -	REVISED - 2/19/03 (JCN)
ct:\pw\work\p\id\dot\sparksgw\0401583\0672843-sht-details.dgn		DRAWN - CADD	REVISED - 4/01/04 (JCN)
Default	PLOT SCALE = 40.0000' / in.	CHECKED - JCN	REVISED - 8/01/07 (JCN)
	PLOT DATE = Aug-22-2014 09:54:59AM	DATE - FEBRUARY 23, 1999	REVISED -

**STATE OF ILLINOIS
 DEPARTMENT OF TRANSPORTATION**

**DISTRICT 6 DETAILS FOR RURAL/URBAN ENTRANCE &
 MAILBOX TURNOUT W/O CONC GUTTER (3R - PROJECTS)**

SCALE: SHEET 4 OF 4 SHEETS STA. TO STA.

F.A.U. RTE.	SECTION	COUNTY	TOTAL SHEETS	SHEET NO.
8136	(4) RS-1,1,CR	MACOUPIN	92	27
ILLINOIS FED. AID PROJECT			CONTRACT NO. 72B43	