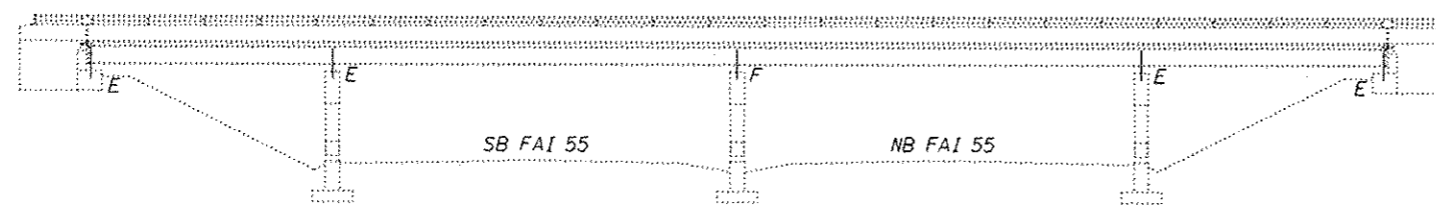
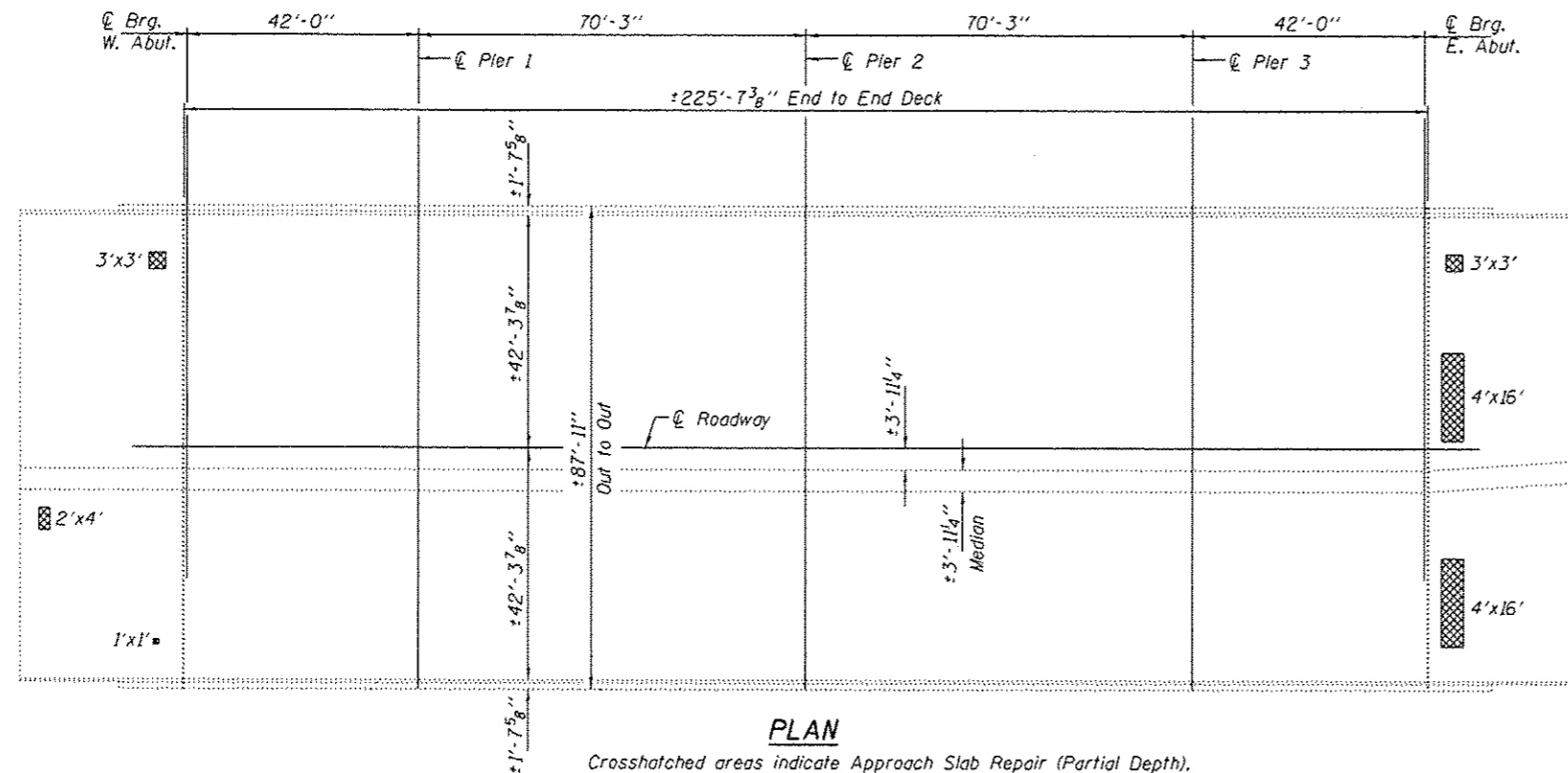


GENERAL NOTES

The cost of epoxy grouting threaded rods shall be included with Reinforcement Bars, Epoxy Coated.
 Plan dimensions and details relative to existing plans are subject to nominal construction variations. The Contractor shall field verify existing dimensions and details affecting new construction and make necessary approved adjustments prior to construction or ordering of materials. Such variations shall not be cause for additional compensation for a change in scope of the work, however, the Contractor will be paid for the quantity actually furnished at the unit price bid for the work.
 Reinforcement bars designated (E) shall be epoxy coated.

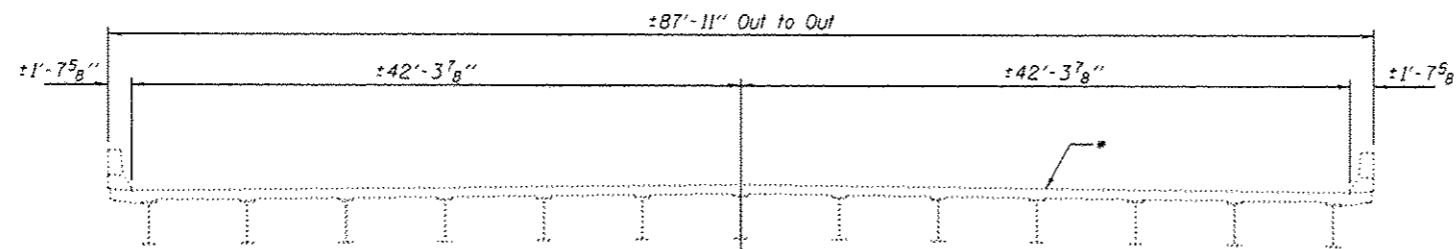


ELEVATION



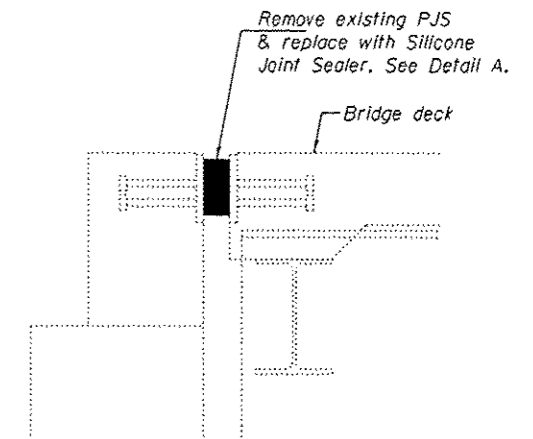
PLAN

Crosshatched areas indicate Approach Slab Repair (Partial Depth). Actual areas to be located by the engineer.

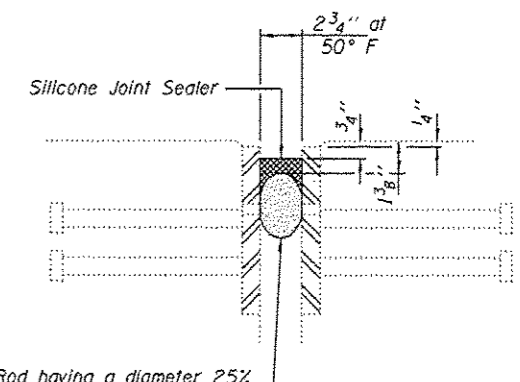


CROSS SECTION

* Apply Bridge Deck Concrete Sealer to the deck surface and the face & top of the parapets.

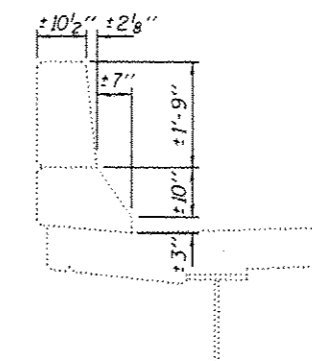


SECTION THRU ABUTMENT



Backer Rod having a diameter 25% greater than the joint opening at the time of installation.

DETAIL A



SECTION THRU PARAPET

TYPICAL END OF SEAL TREATMENTS

TOTAL BILL OF MATERIAL

ITEM	UNIT	QUANTITY
Bridge Deck Concrete Sealer	Sq. Ft.	20860
Silicone Joint Sealer, 2.75"	Foot	173
Approach Slab Repair (Partial Depth)	Sq. Yd.	17.2
Concrete Structures	Cu. Yd.	31.8
Reinforcement Bars, Epoxy Coated	Pound	3400



EXPIRES 11-30-2014

DESIGNED: <i>[Signature]</i>	EXAMINED: <i>[Signature]</i>	DATE: SEPTEMBER 12, 2014
CHECKED: <i>[Signature]</i>	PASSED: <i>[Signature]</i>	REVISED:
DRAWN: <i>[Signature]</i>	REVISED:	
CHECKED: <i>[Signature]</i>		

STATE OF ILLINOIS
DEPARTMENT OF TRANSPORTATION

PLAN AND ELEVATION
TORONTO ROAD OVER FAI 55
SN 084-0117

SHEET NO. 1 OF 3 SHEETS

F.A.I. RTE.	SECTION	COUNTY	TOTAL SHEETS	SHEET NO.
55	(84-4-1)RS-5	SANGAMON	39	25
CONTRACT NO. T2G47			ILLINOIS FED. AID PROJECT	