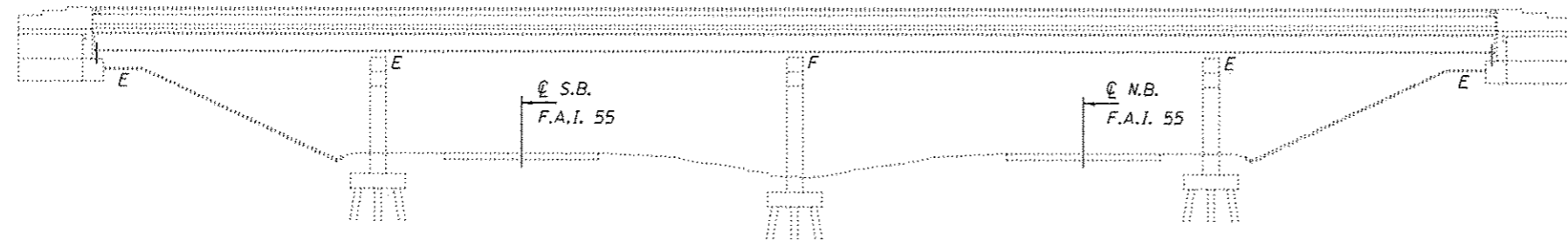
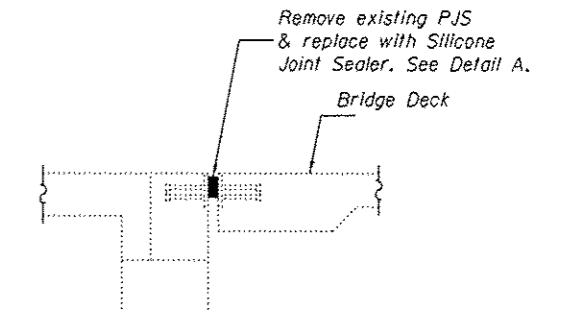


GENERAL NOTES

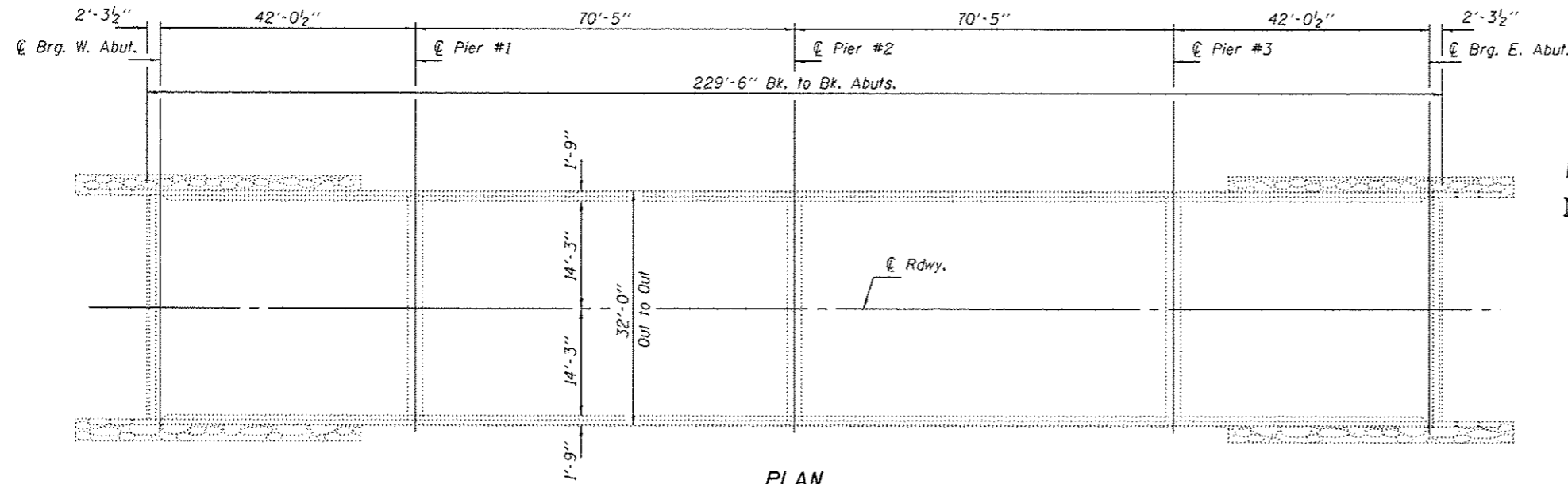
Plan dimensions and details relative to existing plans are subject to nominal construction variations. The Contractor shall field verify existing dimensions and details affecting new construction and make necessary approved adjustments prior to construction or ordering of materials. Such variations shall not be cause for additional compensation for a change in scope of the work, however, the Contractor will be paid for the quantity actually furnished at the unit price bid for the work.



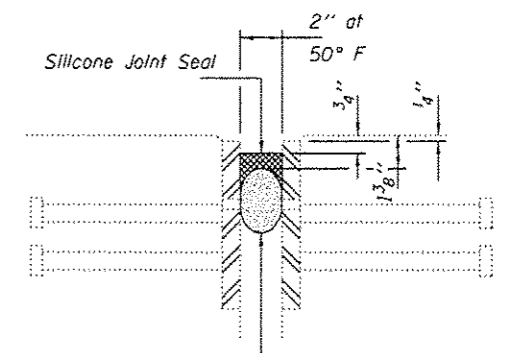
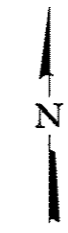
ELEVATION



SECTION THRU ABUTMENT

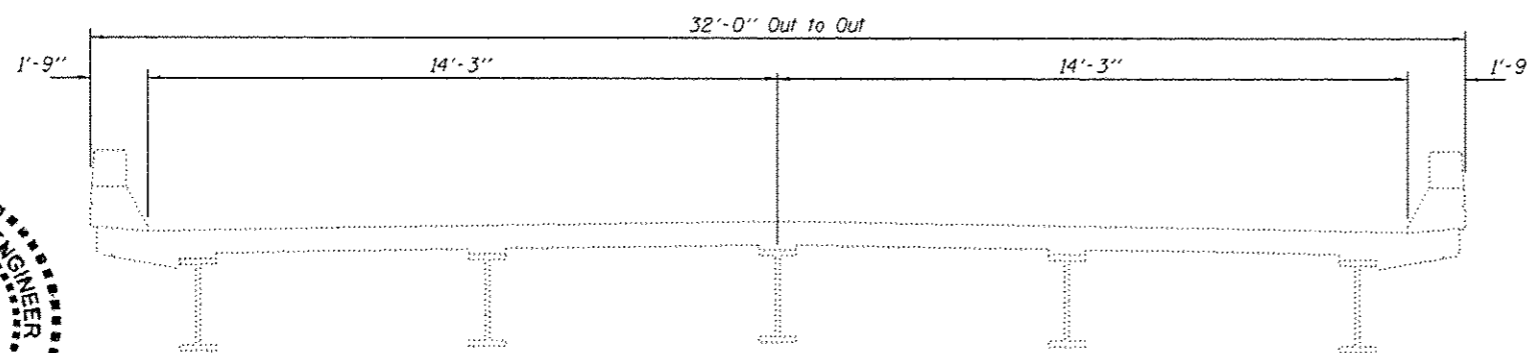


PLAN

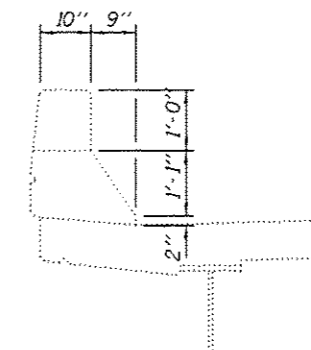


Backer Rod having a diameter 25% greater than the joint opening at the time of installation.

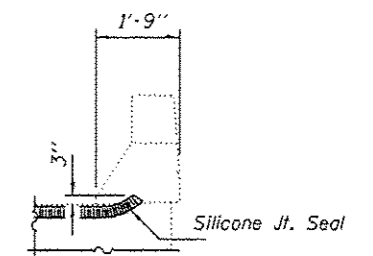
DETAIL A



CROSS SECTION



SECTION THRU PARAPET



TYPICAL END OF SEAL TREATMENTS



TOTAL BILL OF MATERIAL

ITEM	UNIT	QUANTITY
Silicone Joint Sealer, 2"	Foot	66

EXPIRES 11-30-2014

DESIGNED: <i>J. Schneller</i>	EXAMINED: <i>Tony A. ...</i>	DATE: SEPTEMBER 12, 2014	STATE OF ILLINOIS DEPARTMENT OF TRANSPORTATION	PLAN AND ELEVATION SOUTHWIND ROAD OVER FAI 55 SN 084-0099 SHEET NO. 1 OF 1 SHEETS	F.A.I. RTE. 55	SECTION 184-4-1RS-5	COUNTY SANGAMON	TOTAL SHEETS 39	SHEET NO. 28
CHECKED: <i>J. Schneller</i>	PASSED: <i>J. Schneller</i>	REVISED:			CONTRACT NO. 72G47				
DRAWN: <i>J. Schneller</i>	ACTING ENGINEER OF BRIDGES AND STRUCTURES	REVISED:			ILLINOIS FED. AID PROJECT				