

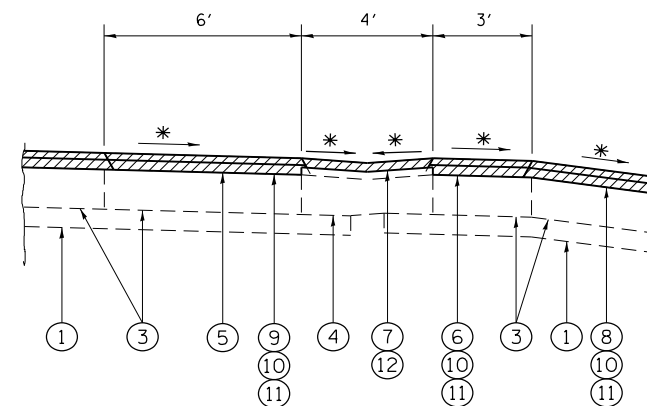
**PLAN - EXIT TERMINAL**

INTERCHANGE	RAMP	ADJACENT MAINLINE	STA A		STA B		L1 (FEET)
			RAMP	MAINLINE	RAMP	MAINLINE	
TORONTO RD.	1	NB I-55	2+69.2	229+67.5	5+16.8	231+25.7	228
TORONTO RD.	3	SB I-55	2+85.2	202+99.4	5+36.0	205+49.8	238

**LEGEND**

- 1 EX STABILIZED SUB-BASE
- 2 EX PCC BASE COURSE
- 3 EX PCC PAVEMENT
- 4 EX HOT-MIX ASPHALT SHOULDER
- 5 EX HOT-MIX ASPHALT
- 6 PR HOT-MIX ASPHALT SURFACE REMOVAL 3/4"
- 7 PR HOT-MIX ASPHALT SURFACE REMOVAL 2"
- 8 PR HOT-MIX ASPHALT SURFACE REMOVAL 2 1/2"
- 9 PR HOT-MIX ASPHALT SURFACE REMOVAL 3 1/4"
- 10 PR POLYMERIZED HOT-MIX ASPHALT BINDER COURSE, IL-19.0, N90, 2 1/4"
- 11 PR POLYMERIZED HOT-MIX ASPHALT SURFACE COURSE, MIX "E", N90, 1 1/2"
- 12 PR HOT-MIX ASPHALT SURFACE COURSE, MIX C, N50 2"

\* MATCH EXIST SLOPE



**SECTION A-A**

RAMP A, & C, TORONTO RD.