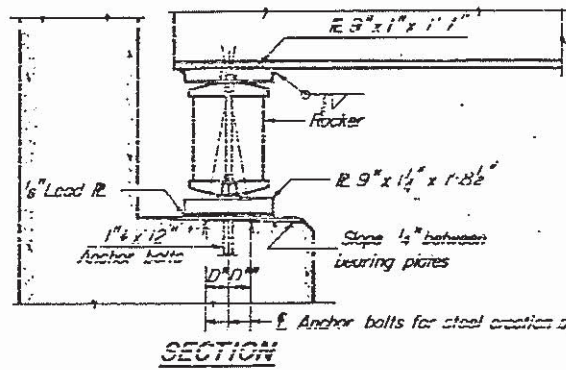
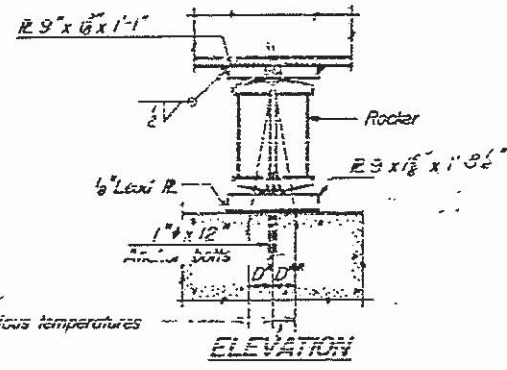


STATE OF ILLINOIS
DEPARTMENT OF PUBLIC WORKS & BUILDINGS
DIVISION OF HIGHWAYS

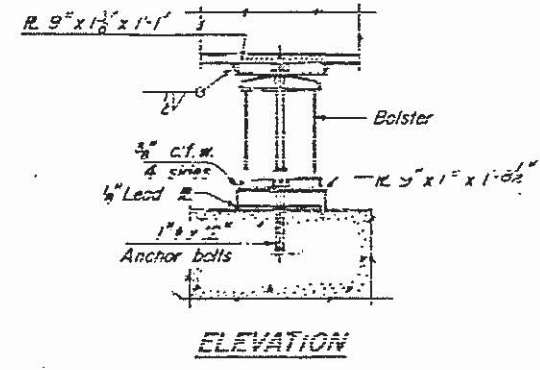
DATE	BY	CHECKED	DESIGNED	SHEET NO.
				8
				15 SHEETS



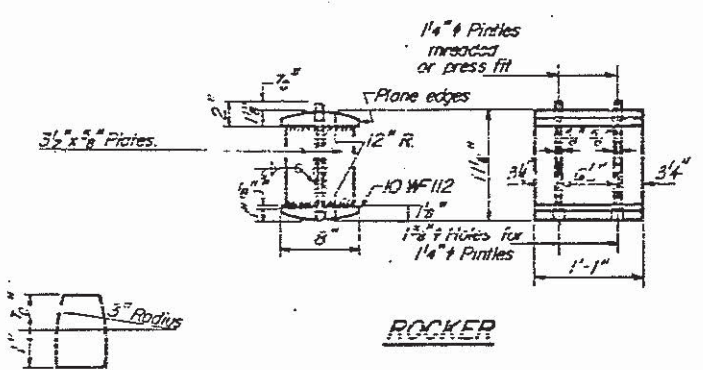
SECTION



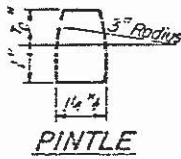
ELEVATION



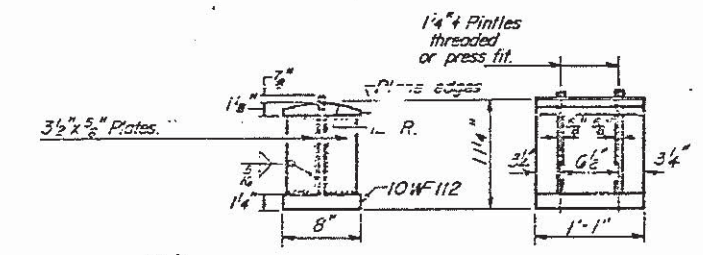
ELEVATION



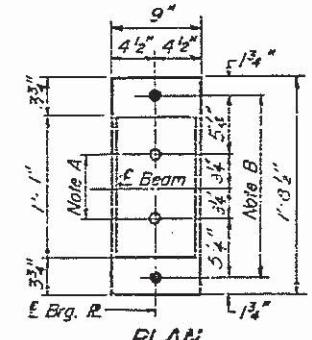
ROCKER



PINTLE

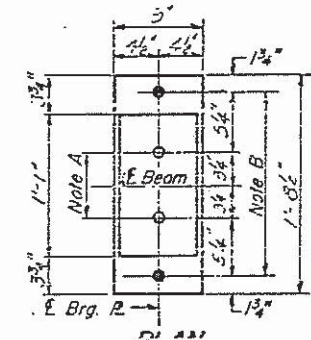


BOLSTER



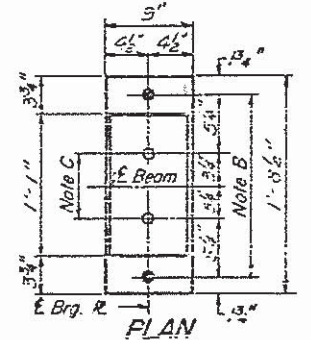
PLAN

AT ABUTMENT



PLAN

AT PIER #1



PLAN

AT PIER #2

NOTE A
1 3/8" Holes - 1" deep in top R for pintles. Thread or press fit pintles into bottom R.

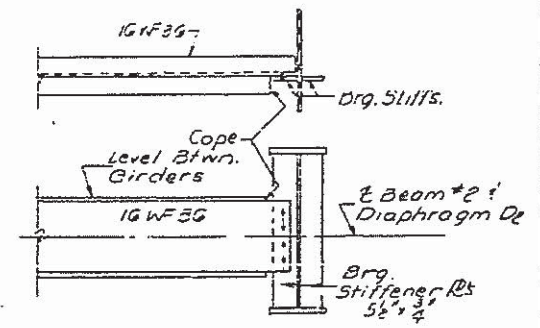
NOTE B
1 1/2" Holes for 1" anchor bolts. 2 1/2" x 2 1/2" x 5/16" R Washers under nut.

NOTE C
1 3/8" Holes 1" deep in top R only for 1 1/4" pintles.

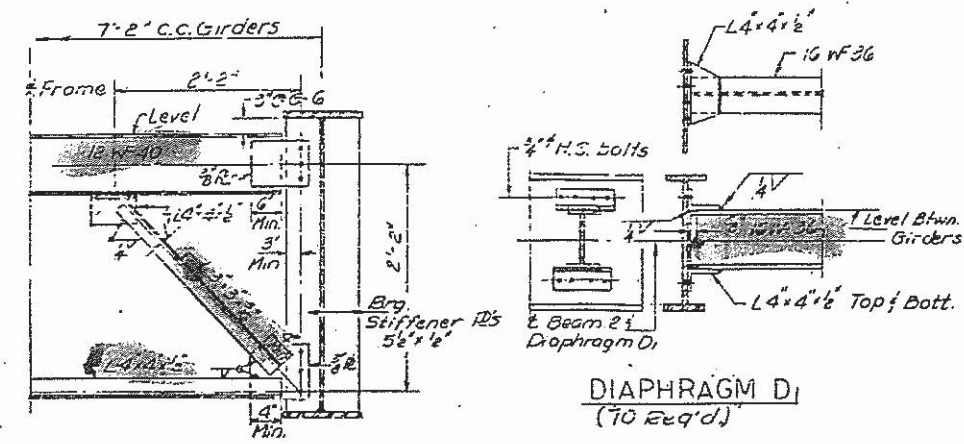
BEARING ASSEMBLY DETAILS

NOTES ON SETTING OF ANCHOR BOLTS AT EXP. BRGS.

- a) D* (Side of brg. away from fixed brg.)
D* = 1/8" per each 100' of expansion for every 15° fall below the normal temp. of 50°F.
D** (Side of brg. toward fixed brg.)
D** = 1/8" per each 100' of expansion for every 15° rise above the normal temp. of 50°F.
- b) After beams have been erected and dimensions D* or D** determined, holes shall be drilled and anchor bolts shall be grouted in place. All fixed anchor bolts may be built into the masonry.



DIAPHRAGM D2
(20 Req'd.)



DIAPHRAGM D1
(70 Req'd.)

DIAPHRAGM & BEARING DETAILS
F.A.I. RT. 55 SEC. 68-1VB

DESIGNED	SEP 9 1970
CHECKED	
DRAWN	