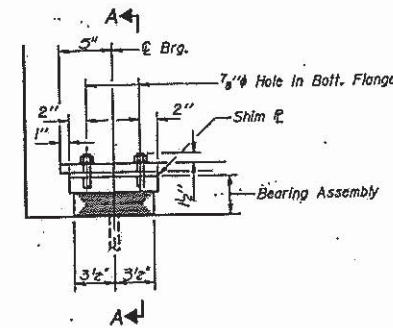


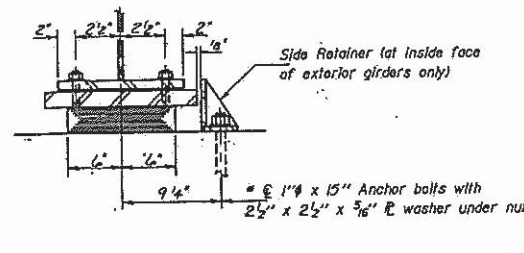
STATE OF ILLINOIS
DEPARTMENT OF TRANSPORTATION

ROUTE NO.	SEC.	COUNTY	STA.	POST
FA-608	125BR	MACOUPIN	73	15
STA.	TO STA.		PROJECT	
FED. ROAD DIST. NO. 7	ILLINOIS		PROJECT	

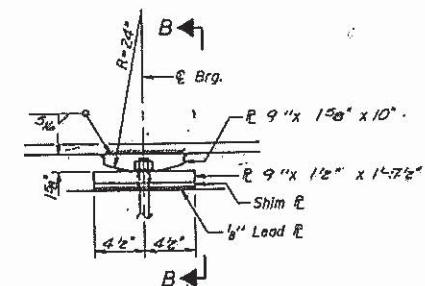
SHEET No. 9
SHEETS: 17



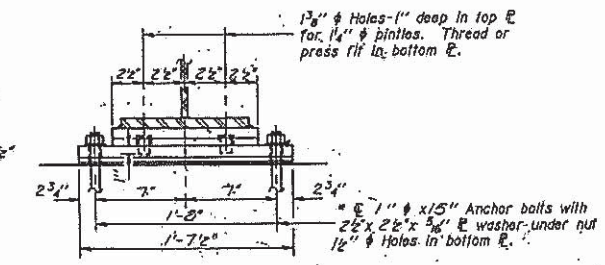
ELEVATION AT ABUT.



SECTION A-A



ELEVATION AT PIER

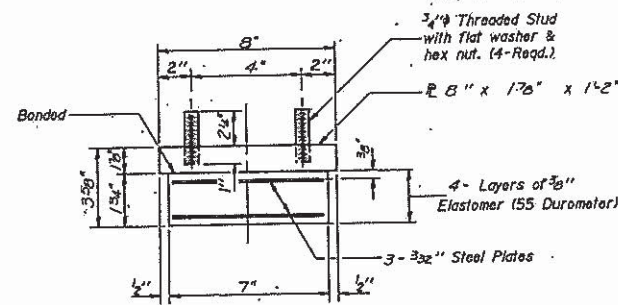


SECTION B-B

FIXED BEARING
(Piers 1&2)

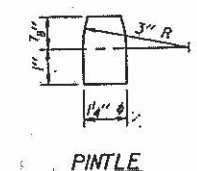
* Notes: Anchor bolts of fixed bearings may be built into the masonry.
See sheet #14 for Anchor Bolt Installation.

TYPE I ELASTOMERIC EXP. BRG.
(N. & S. Abut.)



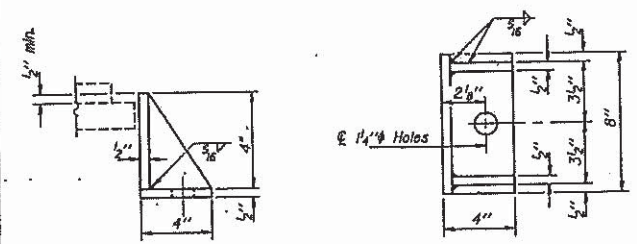
BEARING ASSEMBLY

Note: Shim plates shall not be placed under Bearing Assembly.



PINTLE

BEAM	N. ABUT.	PIER 1	PIER 2	S. ABUT.
1	0	0	0	0
2	0	0	0	0
3	0	1/8	1/8	0
4	0	0	0	0
5	0	0	0	0
6	0	0	0	0



SIDE RETAINER
Equivalent rolled angle with stiffeners will be allowed in lieu of welded plates. (if REQUIRED)

BILL OF MATERIAL

Item	Unit	Total
Elastomeric Bearing Assembly Type I	Each	12

BEARINGS
ILLINOIS ROUTE III OVER
BEAR CREEK
F.A. RTE. 608 SECTION 125BR
MACOUPIN COUNTY
STATION 1005 + 80.00
STRUCTURE NO. 059-0014

REVISED BY HLC 5-12-01