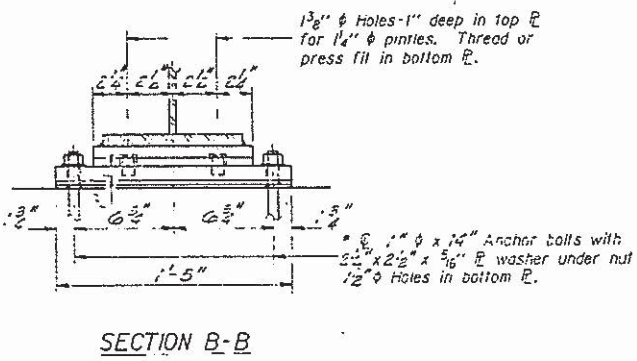
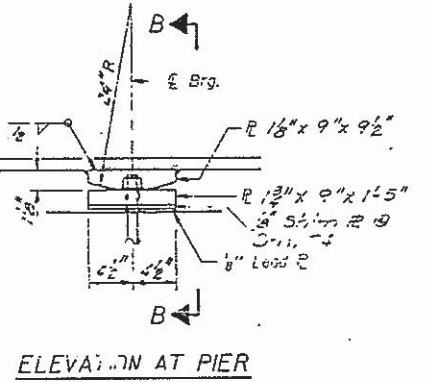
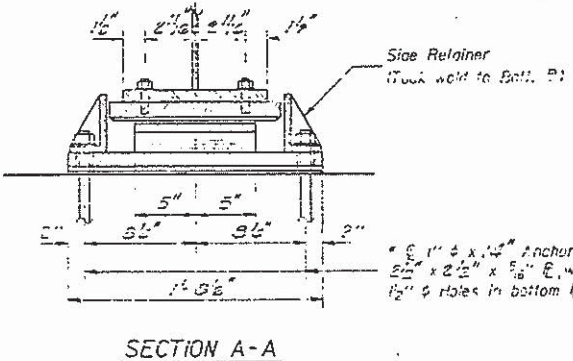
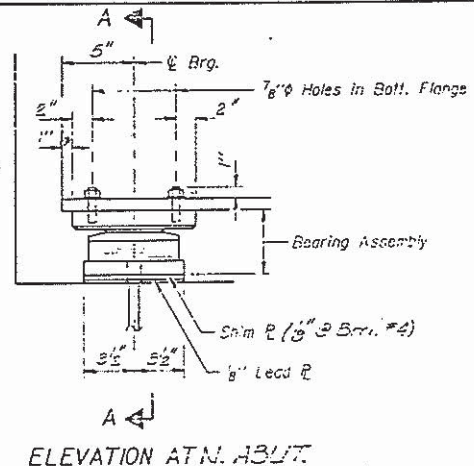


STATE OF ILLINOIS  
DEPARTMENT OF TRANSPORTATION

DATE	SECTION	COUNTY	TOTAL SHEETS	SHEET NO.
11/22/20	1103R-1	SCOTT	58	35



ELEVATION AT N. ABUT.

SECTION A-A

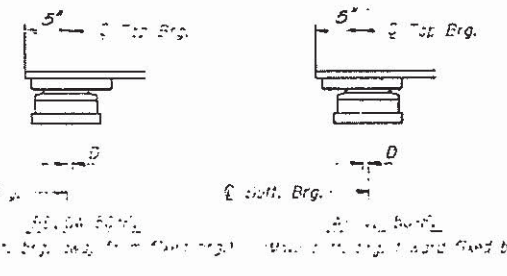
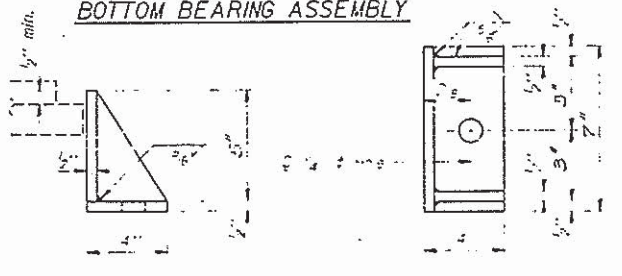
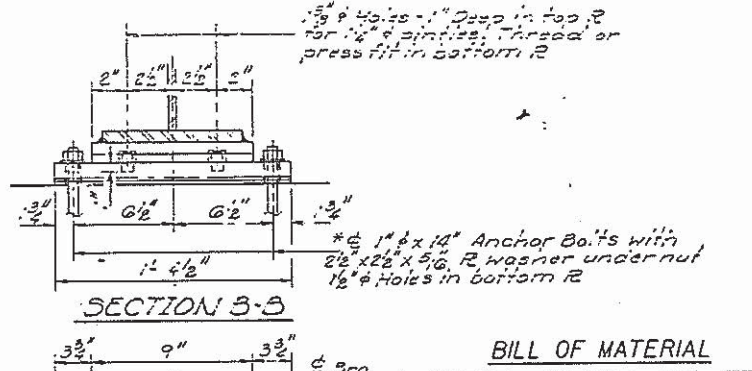
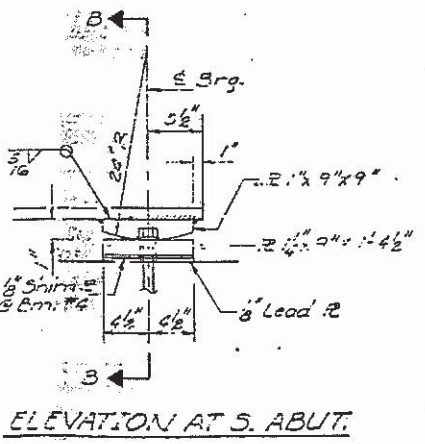
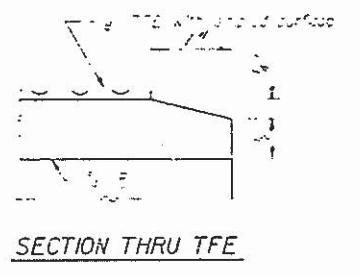
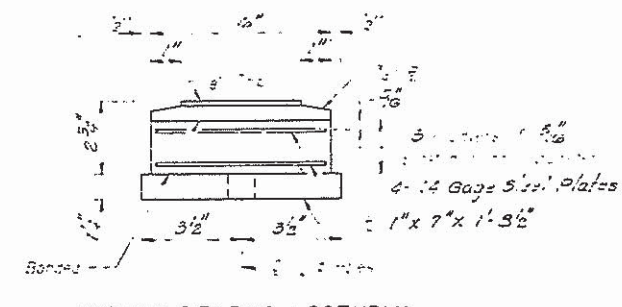
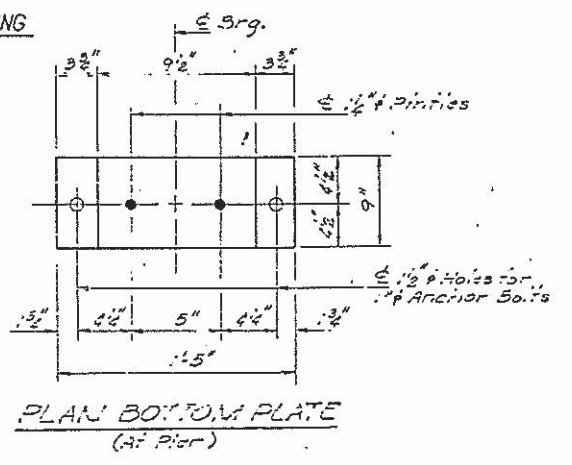
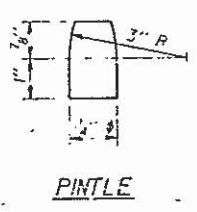
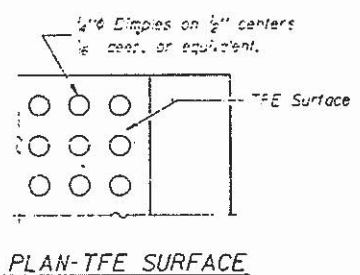
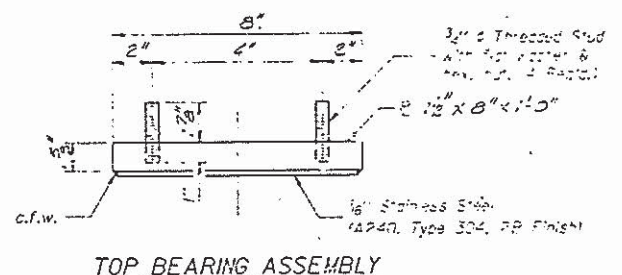
ELEVATION AT PIER

SECTION B-B

TYPE II TFE ELASTOMERIC EXP. BRG.

\* Notes: Anchor bolts at fixed bearings may be built into the masonry. See sheet #17 of 20 for Anchor Bolt Installation.

FIXED BEARING



SETTING ANCHOR BOLTS AT EXP. BRG.  
D=3/16" per each 100' of expansion for every 15° temp. change from the normal temp. of 50°F.

BILL OF MATERIAL

Item	Unit	Total
Elastomeric Bearing Assembly Type II	Each	7

BEARING DETAILS  
F.A. RT. 562 SEC. 1103R-1  
SCOTT COUNTY  
STA. 275+02.50

DESIGNED: T. E. ZIEGLER	EXAMINED: [Signature]
CHECKED: Y. Esmaili	APPROVED: [Signature]
DRAWN: J. SCHNEIDER	
CHECKED: J. J.	