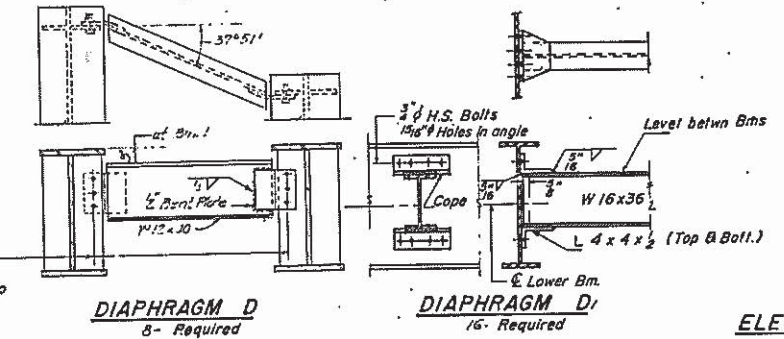
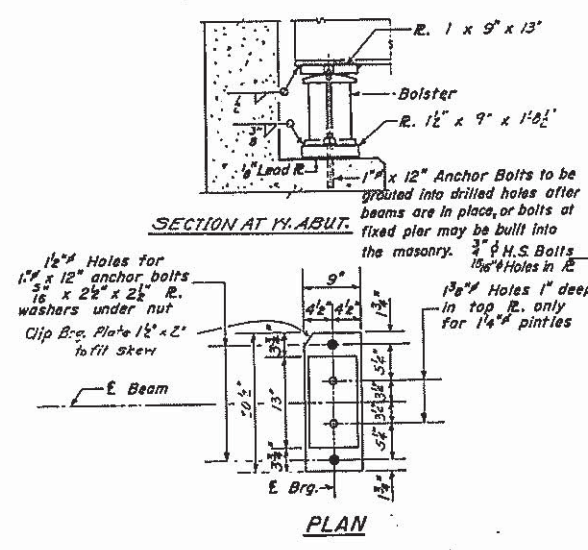
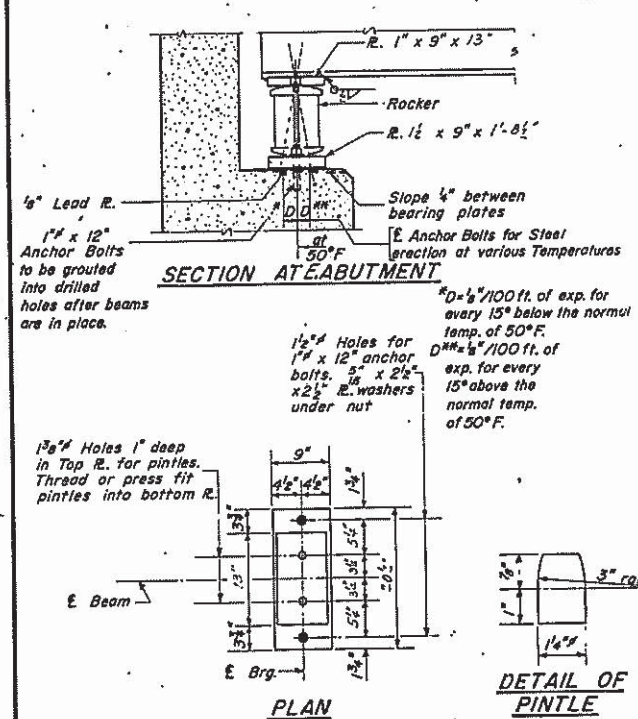
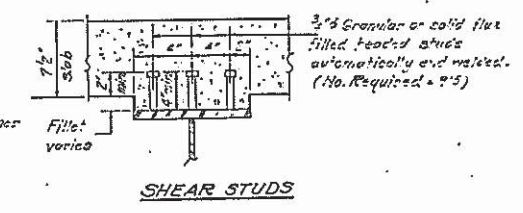
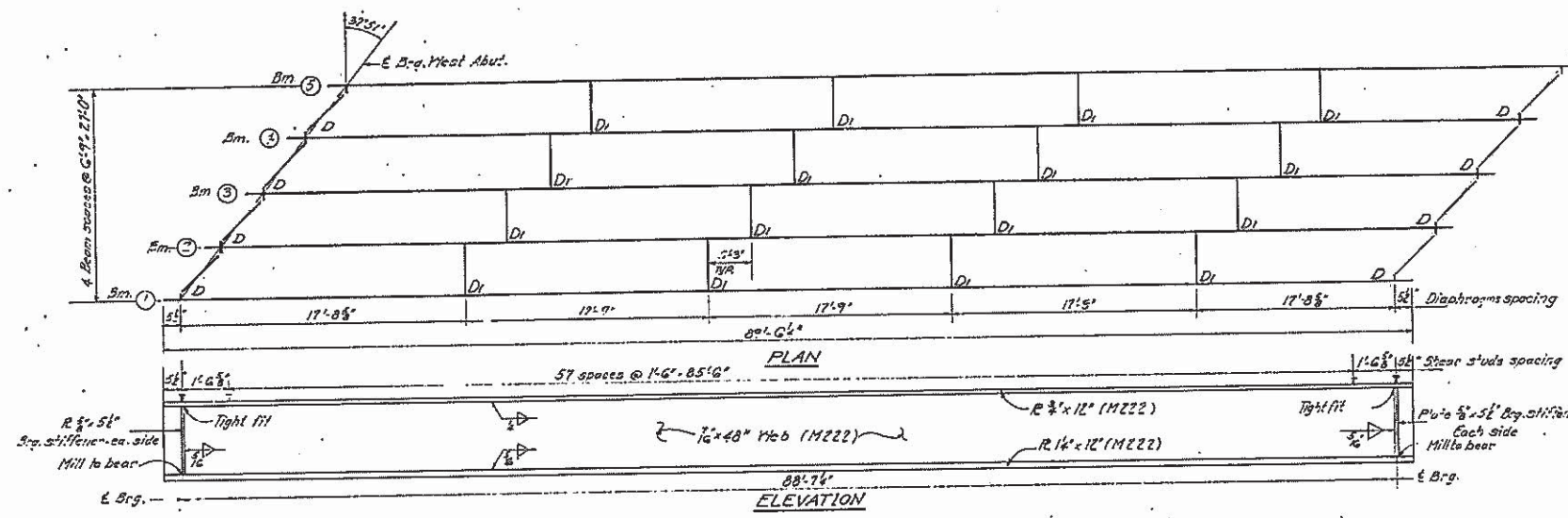


STATE OF ILLINOIS  
DEPARTMENT OF TRANSPORTATION

PROJECT NO.	SECTION	DATE	SCALE	SHEET NO.
10139	SCHUYLER	33		11

SHEET NO. 11  
11 SHEETS

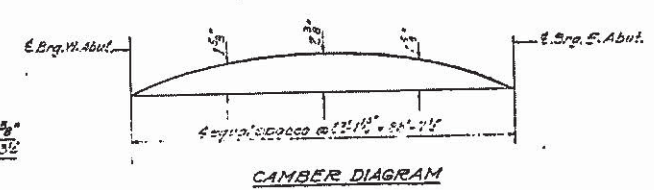
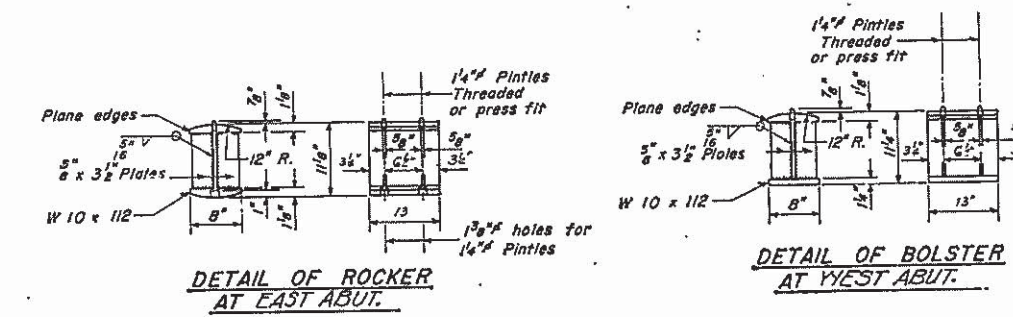


Loc.	Sta.	Bm. 1	Bm. 2	Bm. 3	Bm. 4	Bm. 5
E. Brg. West Abut.	463.00	463.14	463.28	463.21	463.19	
E. Brg. East Abut.	463.56	463.70	463.84	463.77	463.69	

DESIGNED: *Suresh Desai*  
CHECKED: *Suresh Desai*  
DRAWN: *S.V.*  
CHECKED: *S.V.*

EXAMINED: *S.V.*  
PASSED: *S.V.*  
APPROVED: *S.V.*

DATE: Dec. 10, 1973



STRUCTURAL STEEL  
S.B.I.RT.103 SEC.101 BR.  
SCHUYLER COUNTY  
STA. 78+05.00

I-2 4-15-73