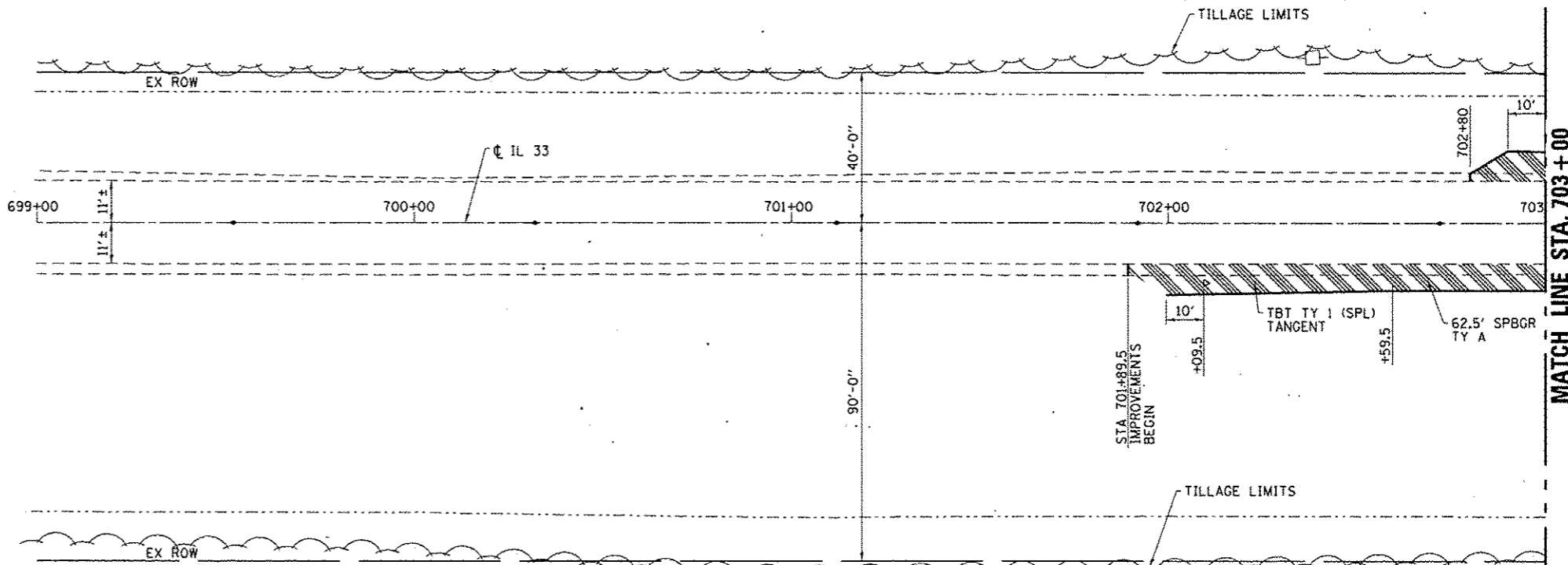
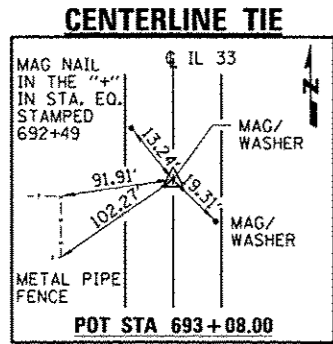
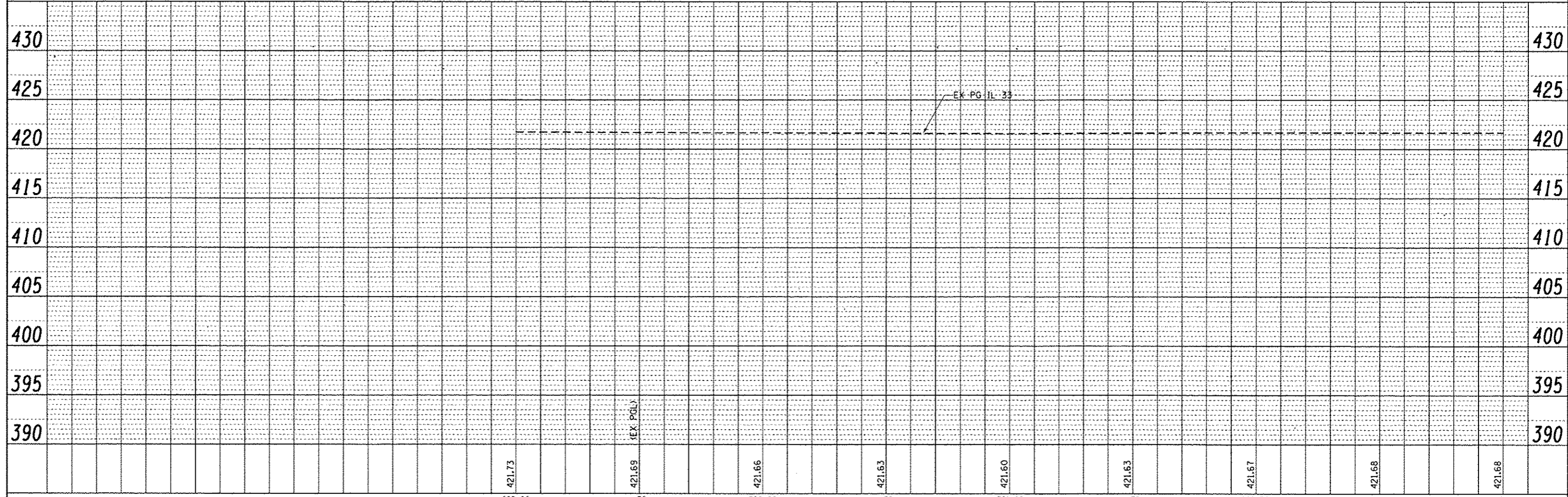


PLAN	DATE
BY	
CHECKED	
NOTED	
NO.	

PROFILE	DATE
BY	
CHECKED	
NOTED	
NO.	



MATCH LINE STA. 703+00  
SEE SHT. 8 FOR CONT.



FILE NAME : 09241000\p01dpc\01\Leffernk\d027313\0774056\p01dpc\01\933.13	USER NAME : steffernk	DESIGNED - DAJ	REVISED -
PLOT SCALE : 0.10007 1/16"	PLOT DATE : 6/2/2014 1:06:24 PM	DRAWN - HAS	REVISED -
DATE : 05/10		CHECKED - ELH	REVISED -
		REVISED -	REVISED -

STATE OF ILLINOIS  
DEPARTMENT OF TRANSPORTATION

FAP RTE 781 (IL 33) PLAN AND PROFILE

F.A.P. RTE. 781	SECTION 109B-1	COUNTY LAWRENCE	TOTAL SHEETS 34	SHEET NO. 7
SCALE: 1"=20'-0"		SHEET NO. 1 OF 3 SHEETS		STA. 699+00 TO STA. 703+00
FED. ROAD DIST. NO.		ILLINOIS FED. AID PROJECT		

CONTRACT NO. 74105