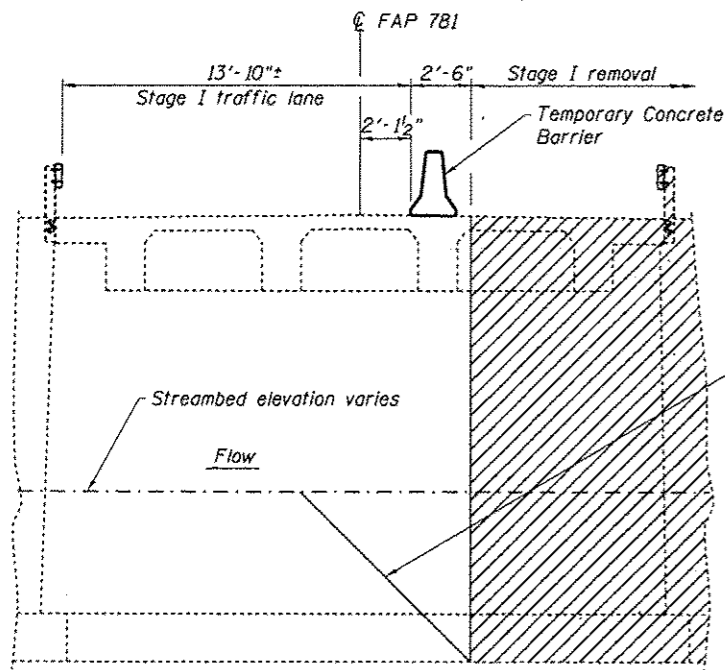


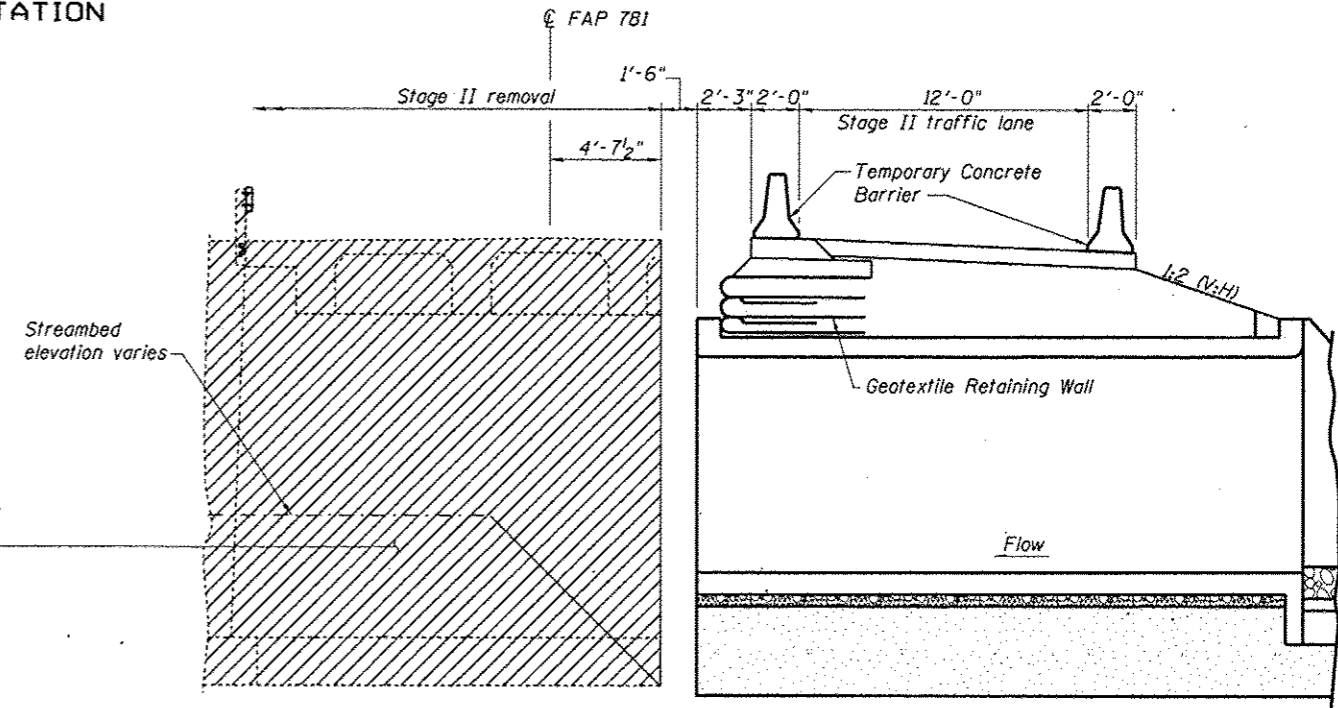
STATE OF ILLINOIS
DEPARTMENT OF TRANSPORTATION

STAGE CONSTRUCTION NOTES

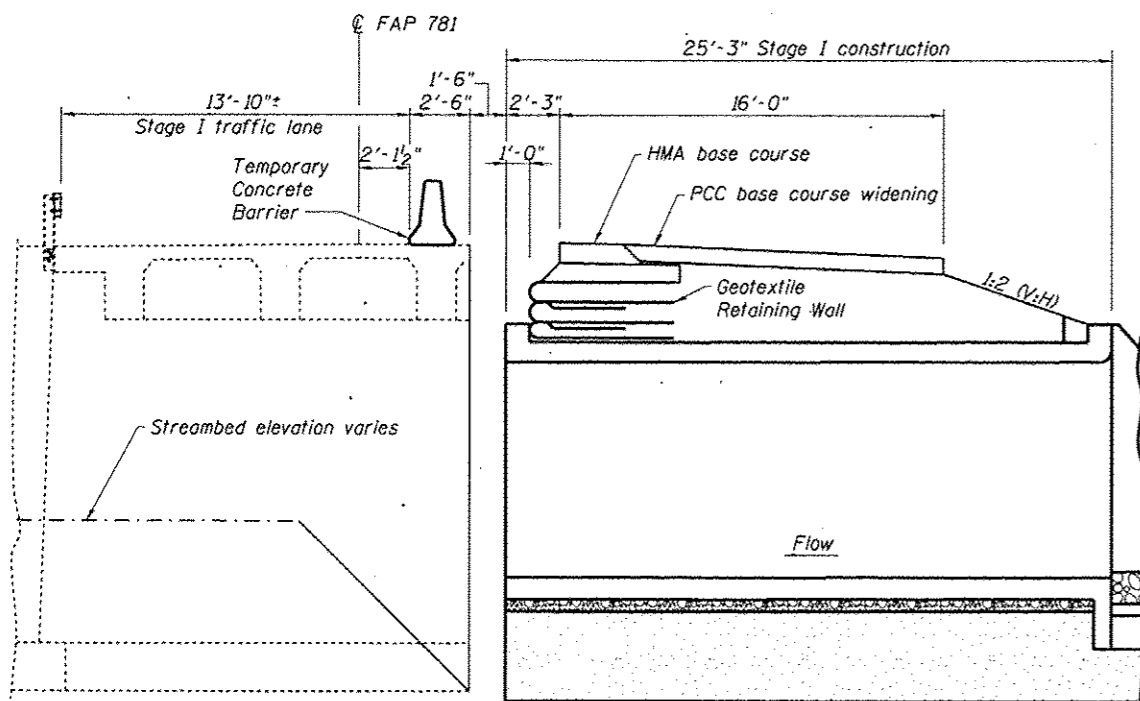
1. Hatched areas indicate Removal of Existing Structures.
2. For details of Temporary Concrete Barrier, see Sht. No. 9 of 10.
3. Removal of existing bridge rail is included with Removal of Existing Structures.
4. All sections are looking South.
5. Horizontal dimensions are at right angles at \odot FAP 781.



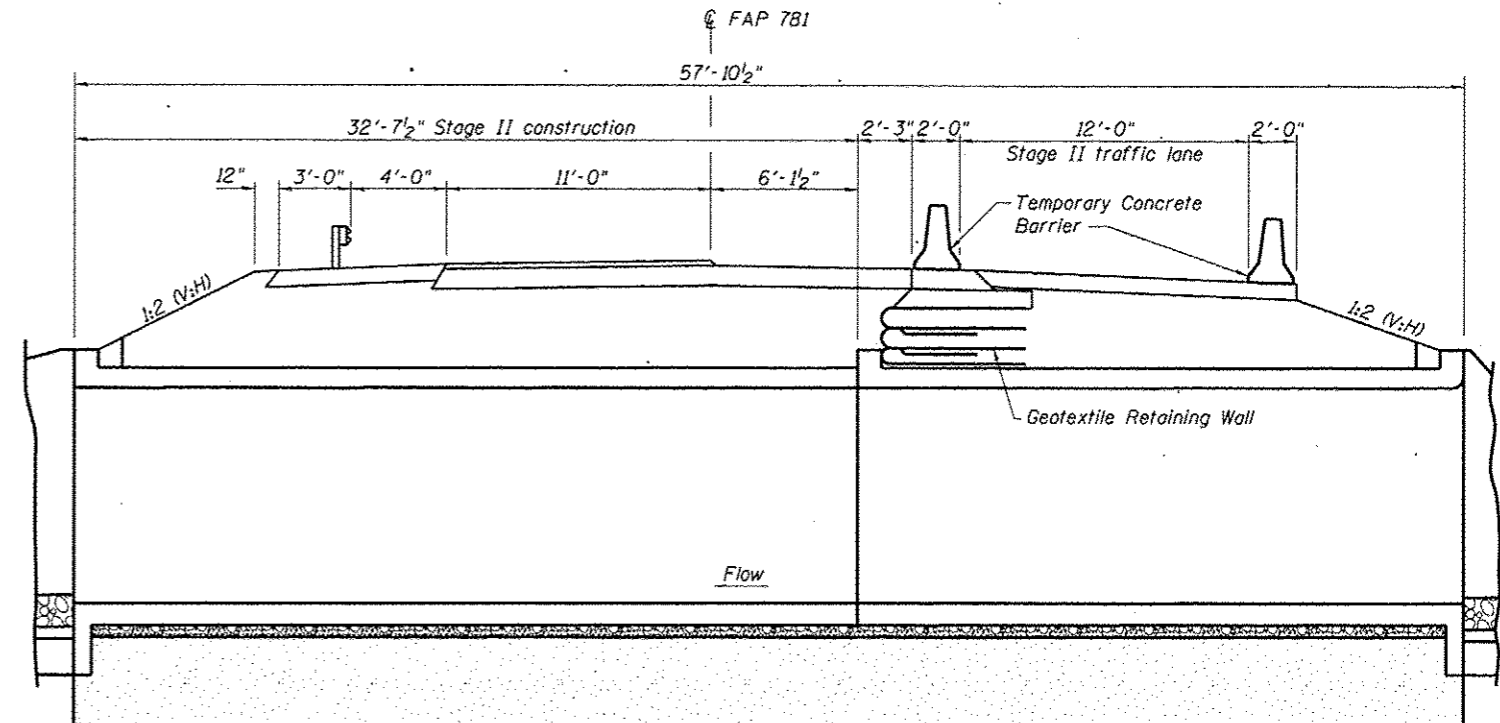
STAGE I REMOVAL



STAGE II REMOVAL



STAGE I CONSTRUCTION



STAGE II CONSTRUCTION

**STAGE CONSTRUCTION DETAILS
STRUCTURE NO. 051-2008**

ESCA
CONSULTANTS, INC.

DESIGNED BY:	ELH	03/10
DRAWN BY:	DWH/HAS	03/10
CHECKED BY:	ELH	06/11
APPROVED BY:	RDP	06/11

SHEET NO. 3 10 SHEETS	F.A.P. RTE.	SECTION	COUNTY	TOTAL SHEETS	SHEET NO.
	781	109B-1	LAWRENCE	34	17
			CONTRACT NO. 74105		
FED. ROAD DIST. NO.		ILLINOIS FED. AID PROJECT			