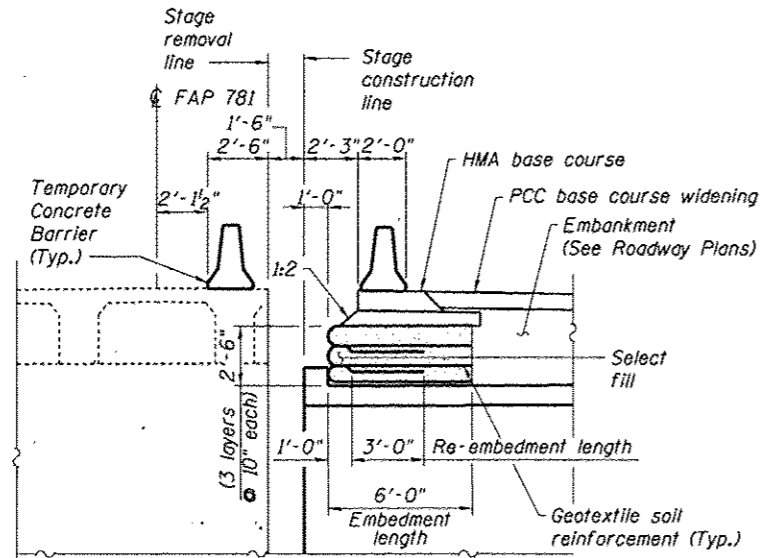
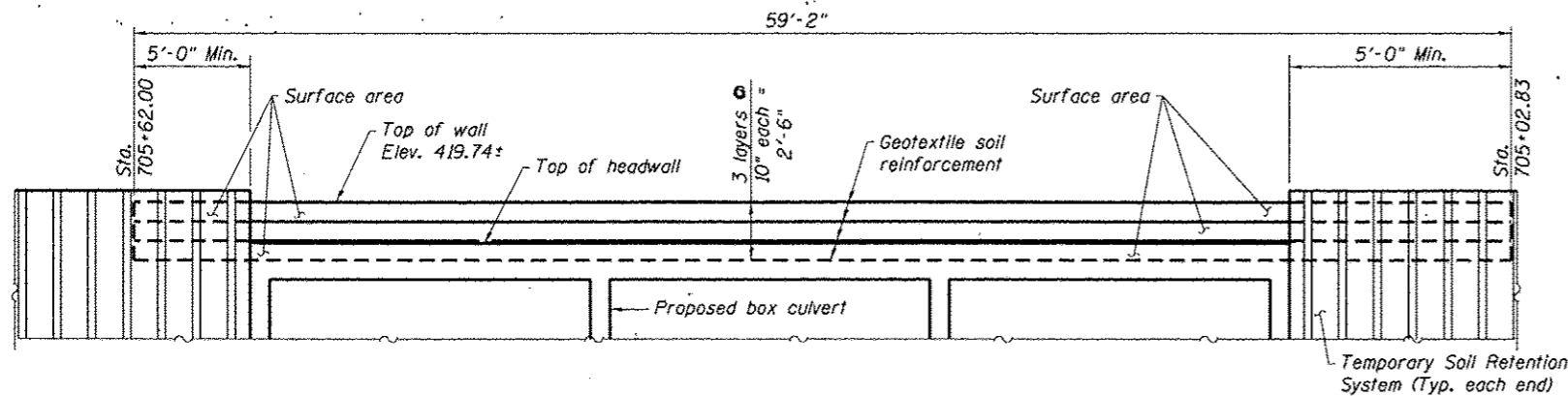


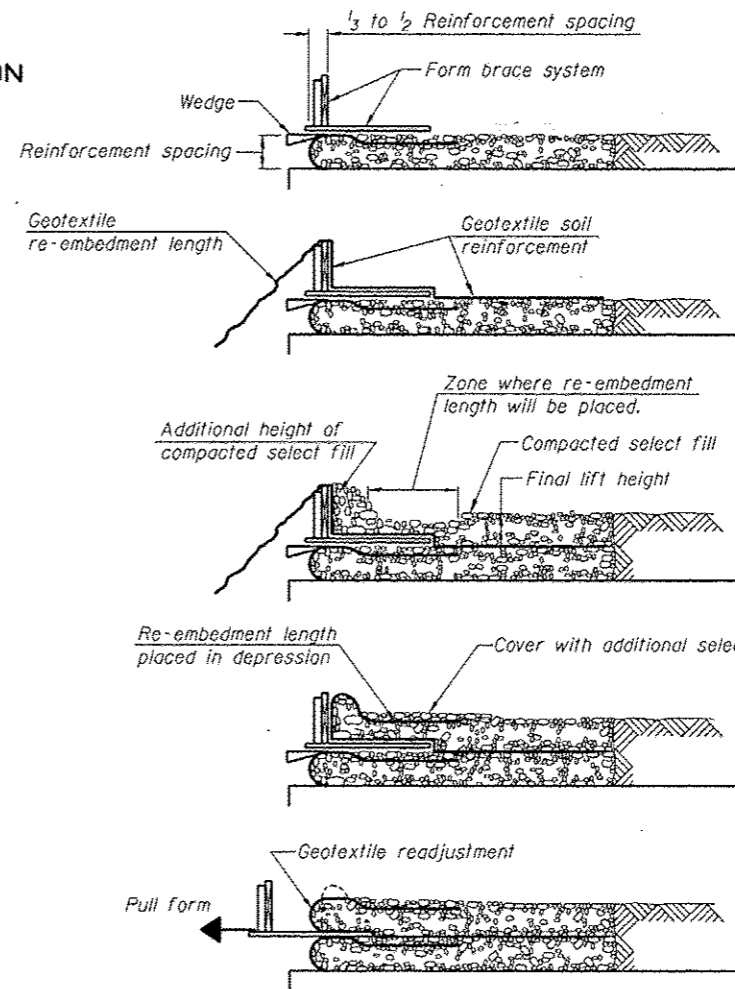
STATE OF ILLINOIS  
DEPARTMENT OF TRANSPORTATION



**TEMPORARY GEOTEXTILE WALL  
TYPICAL SECTION**  
(Horizontal dimensions at right angle to  $\phi$  FAP 781)



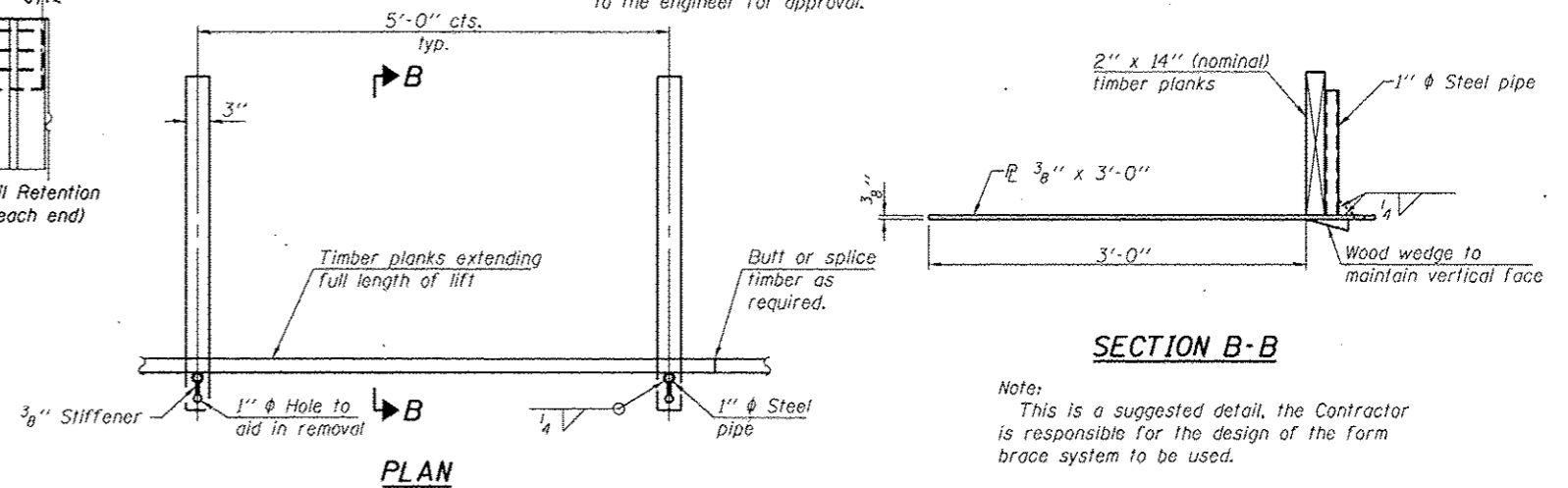
**TEMPORARY GEOTEXTILE WALL ELEVATION**  
(Looking West)  
(Horizontal dimensions parallel to  $\phi$  FAP 781)



1. Place form brace system on completed reinforcement level; back from the finished fabric face a distance of  $\frac{1}{3}$  to  $\frac{1}{2}$  the geotextile reinforcement spacing.
2. Position fabric so that the required geotextile re-embedment length extends over the top of the form brace and the design reinforcement width is placed with no slack against the previous level.
3. Compact select fill material in lifts to final lift height, create (+3") depression in zone where re-embedment length will be located and place additional height of compacted select fill against form brace.
4. Fold geotextile re-embedment length back over form brace into zone where depression was made in select fill and place additional select fill (+3") to embed geotextile and bring to final lift height.
5. Pull form brace outward allowing geotextile face to slightly readjust to form light round face level with plan reinforcement spacing.

**TEMPORARY GEOTEXTILE  
WALL CONSTRUCTION SEQUENCE**

Note:  
The geotextile soil reinforcement shall have a minimum allowable tensile strength (T min.) of 25 lb./in. as determined by the procedure described in the Special Provision. The computations supporting the determination of (T min.) shall be submitted to the engineer for approval.



Note:  
This is a suggested detail, the Contractor is responsible for the design of the form brace system to be used.

**TEMPORARY GEOTEXTILE  
FORM BRACE DETAIL**

**STAGE CONSTRUCTION DETAILS  
STRUCTURE NO. 051-2008**

**ESCA**  
CONSULTANTS, INC.

DESIGNED BY:	ELH	03/10
DRAWN BY:	DWH/HAS	03/10
CHECKED BY:	ELH	06/11
APPROVED BY:	RDP	06/11

SHEET NO. 4 10 SHEETS	F.A.P. RTE.	SECTION	COUNTY	TOTAL SHEETS	SHEET NO.
	781	109B-1	LAWRENCE	34	18
CONTRACT NO. 74105					
FED. ROAD DIST. NO.		ILLINOIS	FED. AID PROJECT		