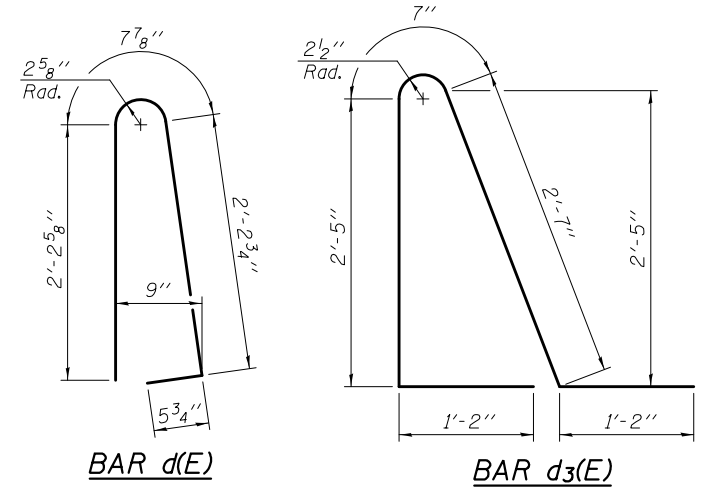
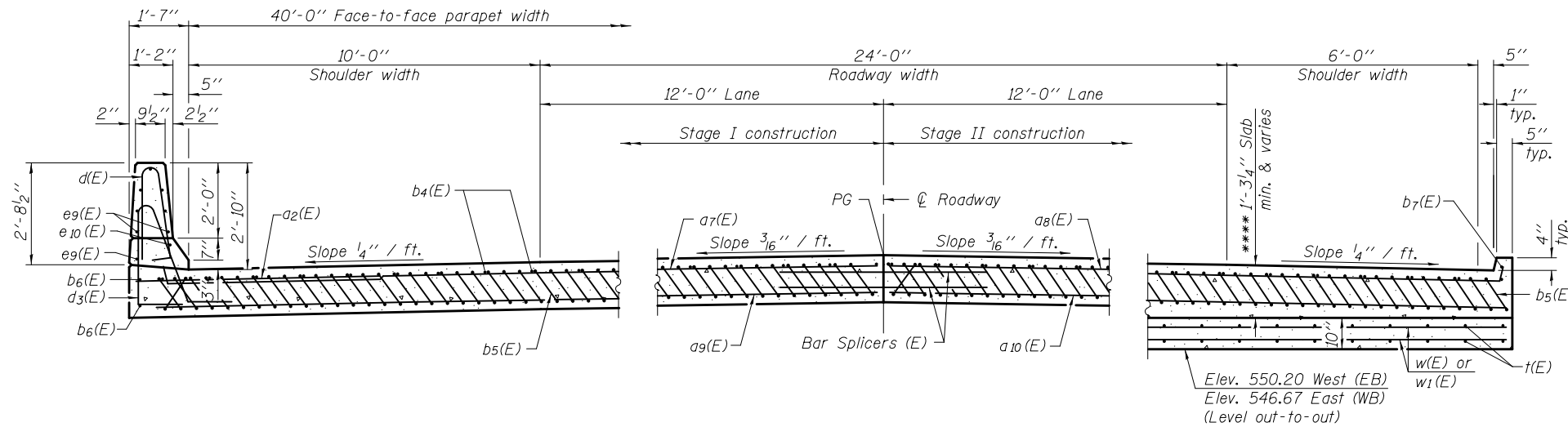
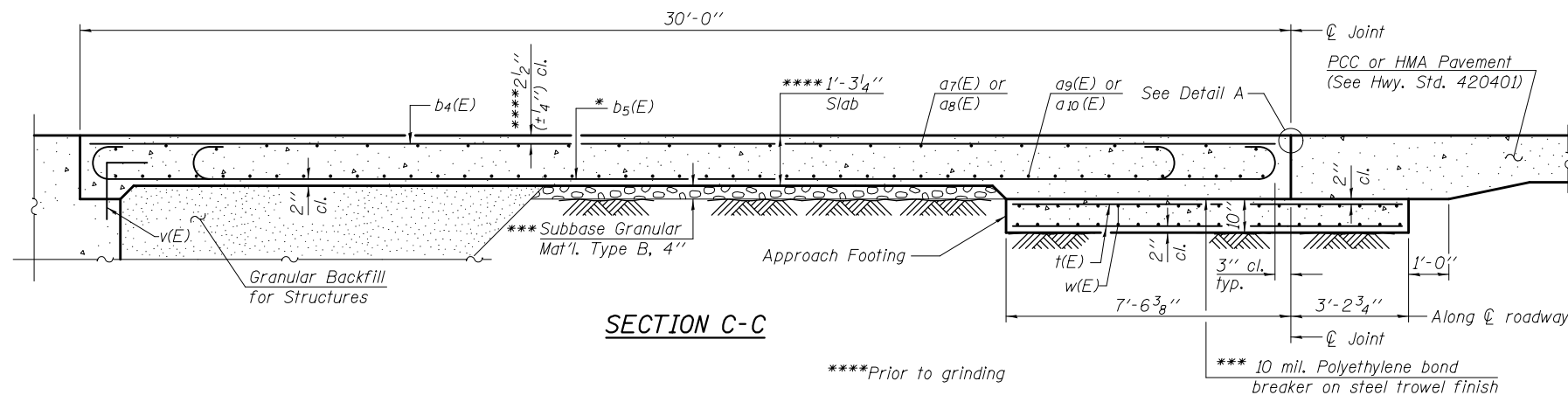


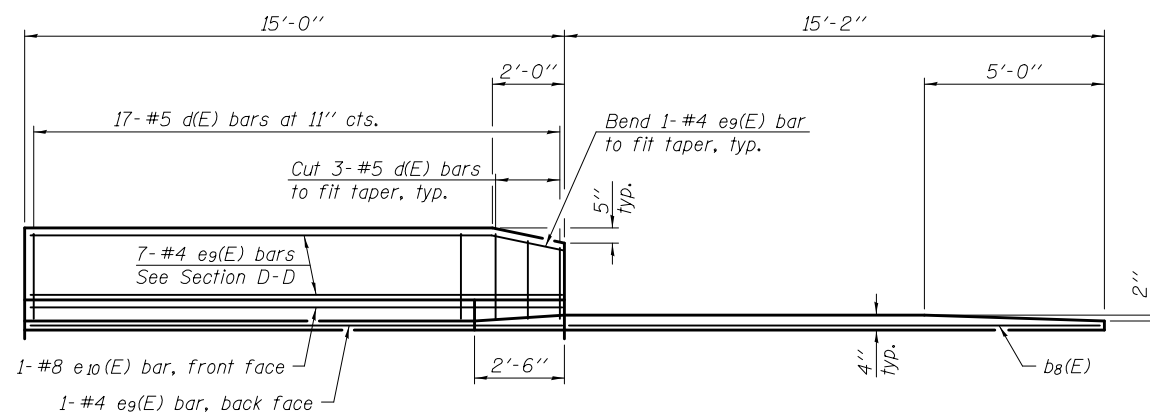
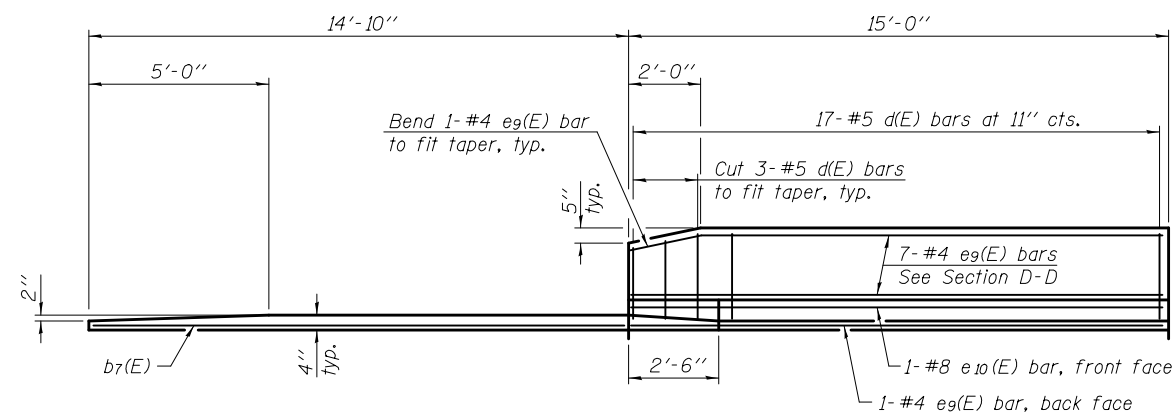
Notes:
 See sheet 18 of 36 for Detail A and View B-B.
 Approach slab and parapet concrete shall be paid for as Concrete Superstructure.
 Approach footing concrete shall be paid for as Concrete Structures.
 Reinforcement shall be paid for as Reinforcement Bars, Epoxy Coated.
 For v(E) bar details, see sheet 16 of 36.
 The approach footing maximum applied service bearing pressure (Qmax) = 2.0 ksf.
 For bar splicer details, see sheet 35 of 36.
 Cost of excavation for approach footing included with Concrete Structures.
 For Granular Backfill for Structures and drainage treatment details, see sheet 2 of 36.
 For additional parapet details, see sheet 16 of 36.



* Tilt #9 b5(E) bars as required to maintain clearance.
 *** Cost included with Concrete Superstructure.

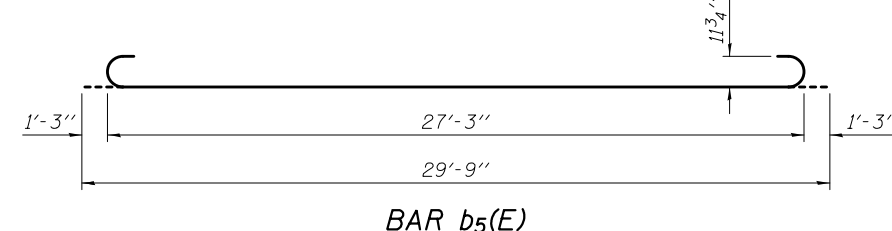
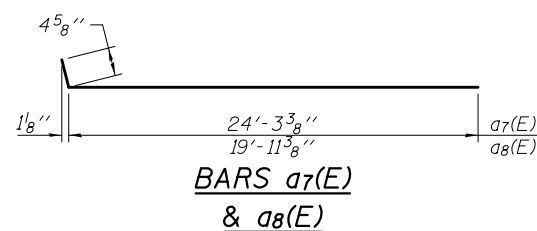
**TWO APPROACHES
 BILL OF MATERIAL**

Bar	No.	Size	Length	Shape
a2(E)	48	#6	6'-6"	—
a7(E)	50	#4	24'-8"	—
a8(E)	50	#4	20'-4"	—
a9(E)	92	#5	24'-4"	—
a10(E)	92	#5	20'-0"	—
b4(E)	70	#4	29'-8"	—
b5(E)	200	#9	29'-9"	—
b6(E)	8	#4	14'-8"	—
b7(E)	2	#4	14'-6"	—
b8(E)	2	#4	14'-11"	—
d(E)	68	#5	5'-7"	U
d3(E)	68	#5	7'-11"	U
e9(E)	32	#4	14'-8"	—
e10(E)	4	#8	14'-8"	—
t(E)	176	#4	10'-4"	—
w(E)	80	#5	24'-3"	—
w1(E)	80	#5	20'-0"	—
Concrete Superstructure		Cu. Yd.	131.9	
Concrete Structures		Cu. Yd.	27.8	
Reinforcement Bars, Epoxy Coated		Pound	34,300	



VIEW E-E

VIEW G-G



(Sheet 2 of 2)

DESIGNED - FESSEHA TEKLEHAIMANOT	EXAMINED - <i>Joanne F. Schaff</i>	DATE - SEPTEMBER 16, 2014
CHECKED - JOSUE ORTIZ-VARELA	PASSED - <i>Carl Perry</i>	REVISOR
DRAWN - MICHAEL B. MOSSMAN	ACTING ENGINEER OF BRIDGES AND STRUCTURES	REVISOR
CHECKED - F.T. / J.O.V. / G.R.A.		

STATE OF ILLINOIS
 DEPARTMENT OF TRANSPORTATION

EAST (WB) & WEST (EB) BRIDGE APPROACH SLAB DETAILS
 STRUCTURE NO. 018 - 0040 (EB) & 018 - 0041 (WB)

SHEET NO. 21 OF 36 SHEETS

F.A.I. RTE.	SECTION	COUNTY	TOTAL SHEETS	SHEET NO.
70	(18-45HB-1)BR	CUMBERLAND	43	28
CONTRACT NO. 74187				
ILLINOIS FED. AID PROJECT				