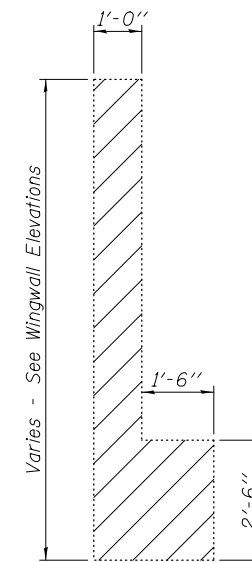
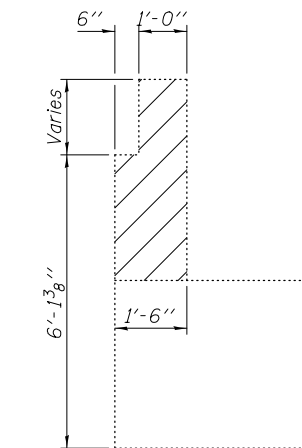


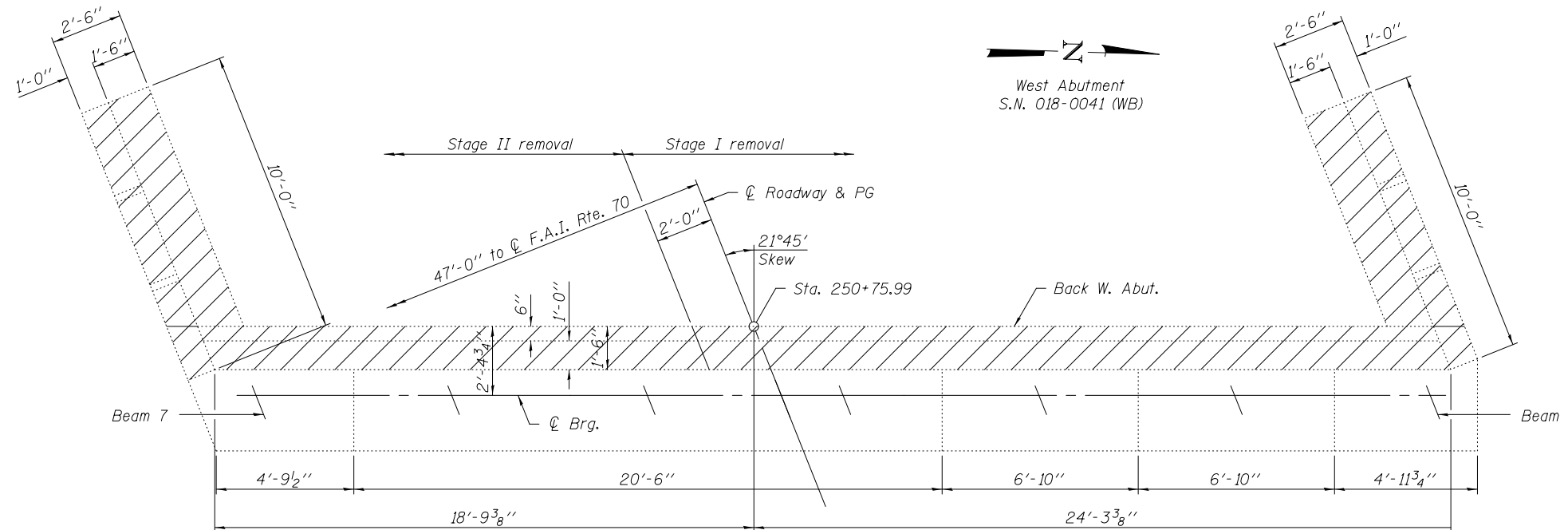
**ELEVATION**  
(Looking west)



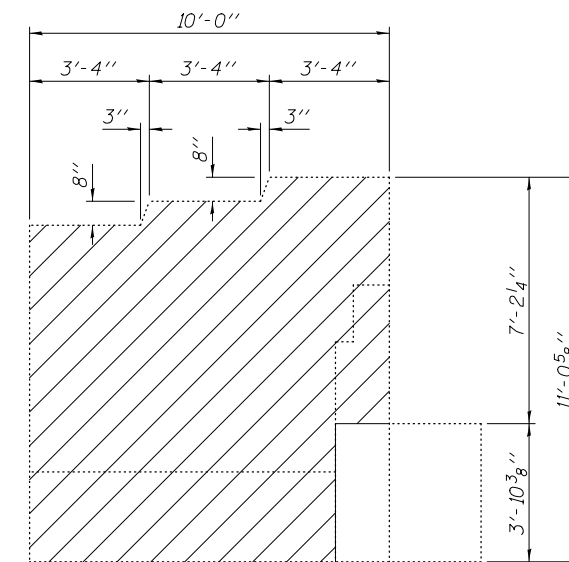
**SECTION THRU WINGWALL**



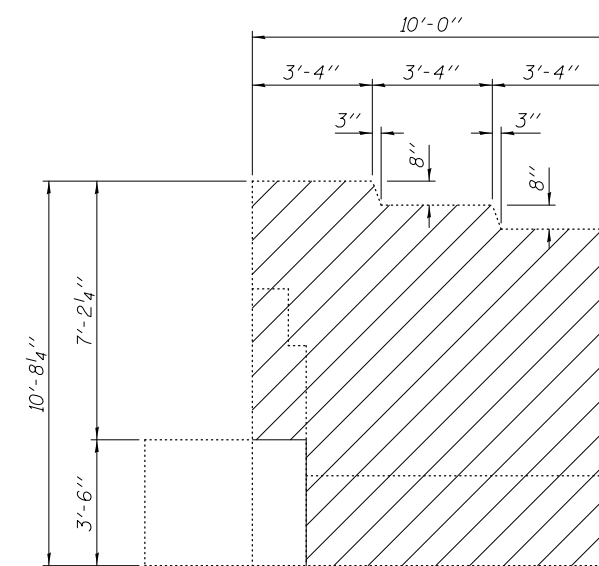
**SECTION THRU ABUTMENT**



**PLAN**



**SOUTH WINGWALL ELEVATION**



**NORTH WINGWALL ELEVATION**

Notes:  
 Hatched areas indicate the limits of Concrete Removal.  
 Existing reinforcement extending into new construction shall be cleaned, straightened, and incorporated into the new construction. Cost included with Concrete Removal.  
 Existing reinforcement not extending into new construction shall be cut off flush and covered with a 2" layer of cement grout. Cost included with Concrete Removal.  
 The elevations shown above were calculated from the survey information provided by the district.

**BILL OF MATERIAL**

ITEM	UNIT	QUANTITY
Concrete Removal	Cu. Yd.	16.9

DESIGNED - FESSEHA TEKLEHAIMANOT	EXAMINED - <i>Joanne F. J. [Signature]</i>	DATE - SEPTEMBER 16, 2014
CHECKED - JOSUE ORTIZ-VARELA	PASSED - <i>Carl [Signature]</i>	REVISED
DRAWN - MICHAEL B. MOSSMAN	ACTING ENGINEER OF BRIDGES AND STRUCTURES	REVISED
CHECKED - F.T. / J.O.V. / G.R.A.		

**STATE OF ILLINOIS**  
**DEPARTMENT OF TRANSPORTATION**

**WEST ABUTMENT REMOVAL**  
**STRUCTURE NO. 018 - 0041 (WB)**

SHEET NO. 23 OF 36 SHEETS

F.A.I. RTE.	SECTION	COUNTY	TOTAL SHEETS	SHEET NO.
70	(18-45HB-1)BR	CUMBERLAND	43	30
CONTRACT NO. 74187			ILLINOIS FED. AID PROJECT	