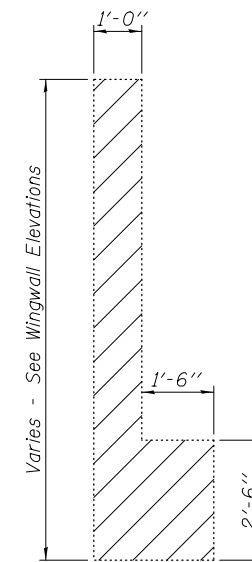
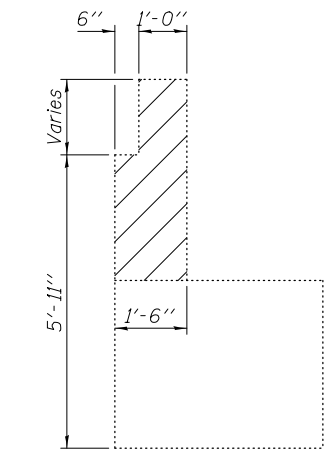


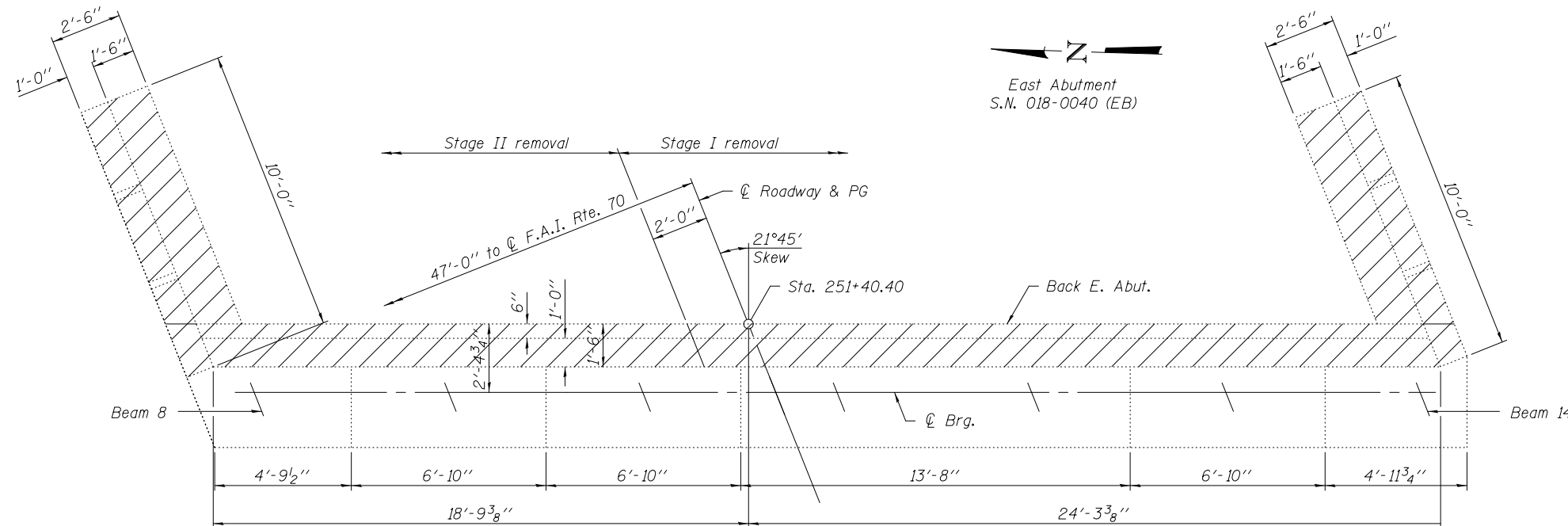
ELEVATION
(Looking east)



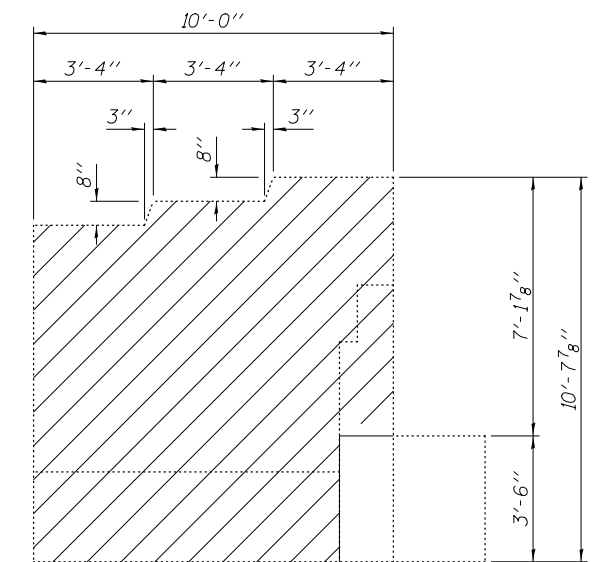
SECTION THRU WINGWALL



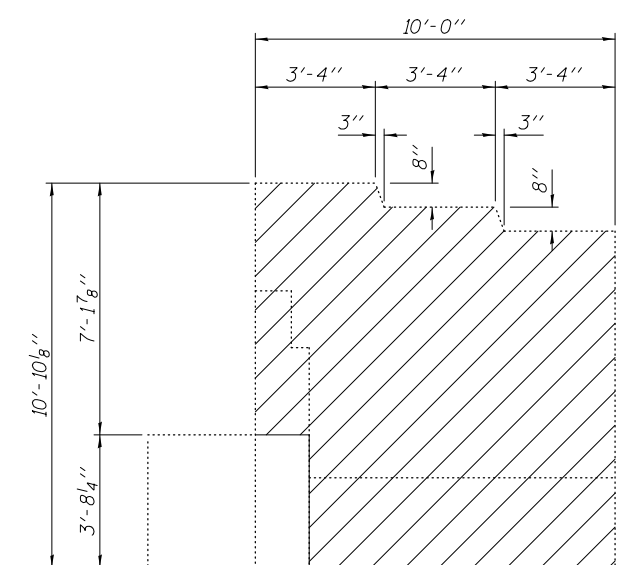
SECTION THRU ABUTMENT



PLAN



NORTH WINGWALL ELEVATION



SOUTH WINGWALL ELEVATION

Notes:
 Hatched areas indicate the limits of Concrete Removal.
 Existing reinforcement extending into new construction shall be cleaned, straightened, and incorporated into the new construction. Cost included with Concrete Removal.
 Existing reinforcement not extending into new construction shall be cut off flush and covered with a 2" layer of cement grout. Cost included with Concrete Removal.
 The elevations shown above were calculated from the survey information provided by the district.

BILL OF MATERIAL

ITEM	UNIT	QUANTITY
Concrete Removal	Cu. Yd.	17.1

DESIGNED - FESSEHA TEKLEHAIMANOT	EXAMINED - <i>Joanne F. Joffe</i> ACTING ENGINEER OF BRIDGE DESIGN	DATE - SEPTEMBER 16, 2014
CHECKED - JOSUE ORTIZ-VARELA	PASSED - <i>Carl Berger</i> ACTING ENGINEER OF BRIDGES AND STRUCTURES	REVISED
DRAWN - MICHAEL B. MOSSMAN		REVISED
CHECKED - F.T. / J.O.V. / G.R.A.		

STATE OF ILLINOIS
DEPARTMENT OF TRANSPORTATION

EAST ABUTMENT REMOVAL
STRUCTURE NO. 018 - 0040 (EB)

SHEET NO. 26 OF 36 SHEETS

F.A.I. RTE. 70	SECTION (18-45HB-1)BR	COUNTY CUMBERLAND	TOTAL SHEETS 43	SHEET NO. 33
CONTRACT NO. 74187			ILLINOIS FED. AID PROJECT	