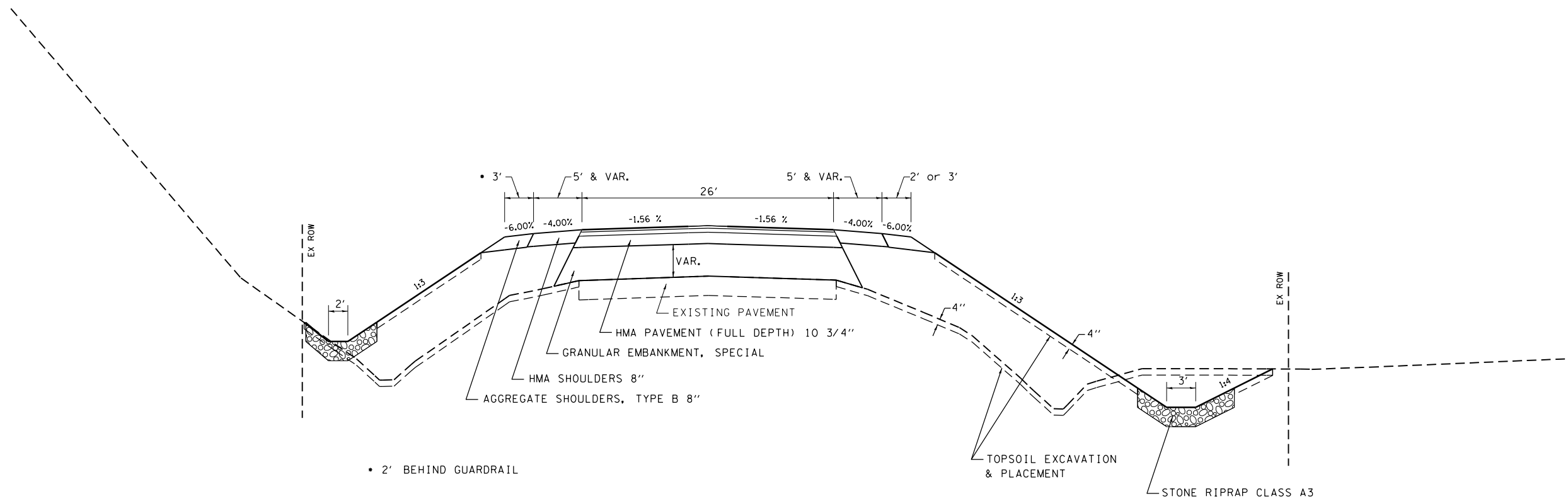


EXISTING TYPICAL SECTION
STA 707+00 TO STA 722+15



PROPOSED TYPICAL SECTION
STA 708+95 TO STA 711+07.5
STA 715+10.5 TO STA 720+45

FILE NAME =	USER NAME = steffenmk	DESIGNED -	REVISED -
c:\pwork\pwork\dot\stefenmk\d011799\1\0774350-shr_typical.dgn		DRAWN -	REVISED -
Default	PLOT SCALE = 100.0000' / in.	CHECKED -	REVISED -
	PLOT DATE = 8/13/2014	DATE -	REVISED -

STATE OF ILLINOIS
DEPARTMENT OF TRANSPORTATION

TYPICALS

SCALE: SHEET OF SHEETS STA. TO STA.

F.A.P. RTE.	SECTION	COUNTY	TOTAL SHEETS	SHEET NO.
749	(122BR)B-1	Coles	60	7
CONTRACT NO. 74350			ILLINOIS FED. AID PROJECT	