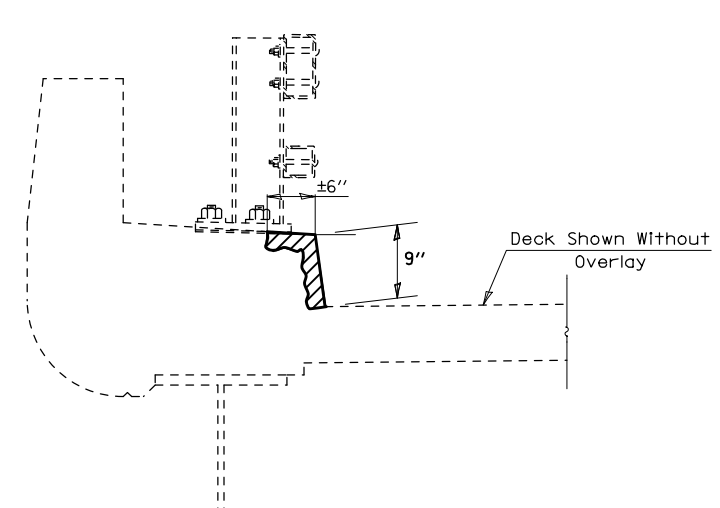


PATCH NO.	SIZE	STRUCTURAL REPAIR OF CONCRETE $\leq 5'$ SQ FT
1	1.3 x 2.0	2.5
2	1.3 x 4.0	5.0
3	1.3 x 4.0	5.0
4	1.3 x 3.0	3.8
5	1.3 x 3.0	3.8
6	1.3 x 2.0	2.5
7	1.3 x 2.0	2.5
8	1.3 x 2.0	2.5
9	1.3 x 3.0	3.8
10	1.3 x 2.0	2.5
11	1.3 x 2.0	2.5
12	1.3 x 5.0	6.3
13	1.3 x 2.0	2.5
14	1.3 x 3.0	3.8
15	1.3 x 3.0	3.8
16	1.3 x 3.0	3.8
17	1.3 x 3.0	3.8
18	1.3 x 4.0	5.0

PATCH NO.	SIZE	STRUCTURAL REPAIR OF CONCRETE $\leq 5'$ SQ FT
19	1.3 x 8.0	10.0
20	1.3 x 12.0	15.0
21	1.3 x 12.0	15.0
22	1.3 x 2.0	2.5
23	1.3 x 38.0	47.5
24	1.3 x 25.0	31.3
25	1.3 x 10.0	12.5
26	1.3 x 12.0	15.0
27	1.3 x 15.0	18.8
TOTAL		233
STRUCTURAL REPAIR OF CONCRETE $< 5'$		
233 / 9 =		25.8
USE		26 SQ YD



**SECTION H-H**  
(Dimensions at Rt. L's to end of deck)

Note: Face of curb is included in size of patch.

Actual dimensions of the Structural Repair of Concrete  $\leq 5'$  shall be determined by the Engineer based on the extent of deterioration.

Removal and replacement of the existing bridge rail and posts may be necessary to complete the Structural Repair of Concrete. All mounting hardware is to be reused. This work and all materials shall be included in the contract unit price for Structural Repair of Concrete  $\leq 5'$ .

THE LOCATIONS AND SIZES SHOWN GRAPHICALLY ABOVE ARE APPROXIMATE. SEE THIS TABLE FOR ACTUAL SIZES.



DATE OF SURVEY: 8/1/14  
SURVEY BY: MEA  
METHOD OF SURVEY: VISUAL

STRUCTURAL REPAIR OF CONCRETE  $\leq 5'$   
EFFINGHAM COUNTY  
FAI ROUTE 57 SBL OVER  
LITTLE WABASH RIVER  
0.5 MILES SOUTH OF  
WATSON INTERCHANGE

SN 025-0072

**072**

FILE NAME =	USER NAME = *USER*	DESIGNED - DFZ	REVISED -
*FILEL*		DRAWN - DFZ	REVISED -
	PLOT SCALE = *SCALE*	CHECKED - MEA	REVISED -
	PLOT DATE = *DATE*	DATE - 8/8/2014	REVISED -

STATE OF ILLINOIS  
DEPARTMENT OF TRANSPORTATION

STRUCTURAL REPAIR OF CONCRETE  $\leq 5'$   
SN 025-0072 (SB)

SCALE: SHEET NO. 8 OF 22 SHEETS STA. TO STA.

F.A. RTE.	SECTION	COUNTY	TOTAL SHEETS	SHEET NO.
57	(25-6, 7)RS-2	EFFINGHAM	63	36
CONTRACT NO. 74638				
FED. ROAD DIST. NO. ILLINOIS FED. AID PROJECT				