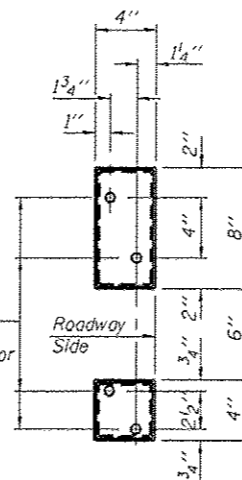
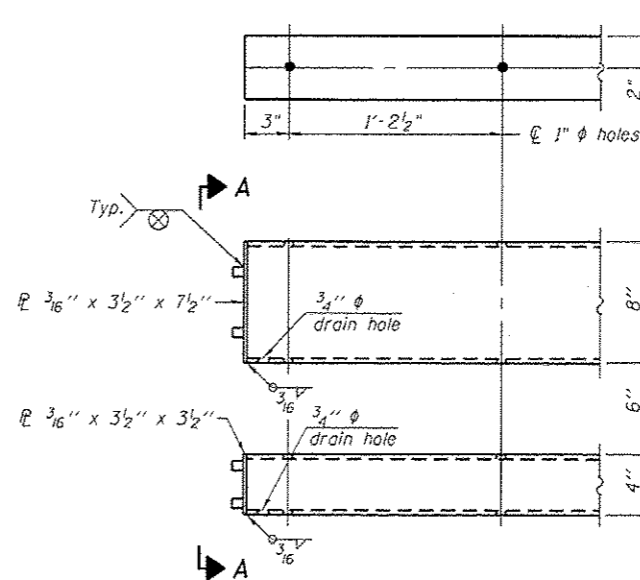


④ - 5/8" reduced base welded studs.
Provide 4 - 5/8" washers and self-locking nuts or nuts and jam nuts for guardrail connection shown on Std. 631032.

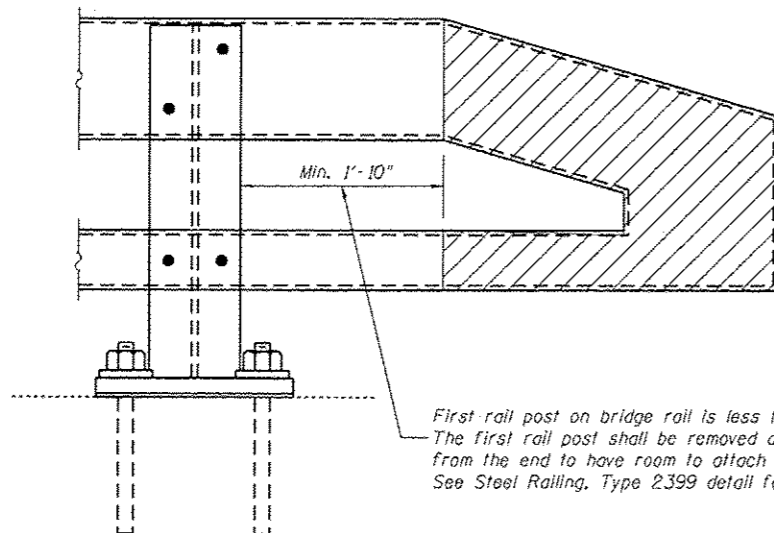


VIEW A-A



END OF RAIL DETAILS

X0326519 STEEL RAILING REMOVAL (FOOT)	
LOCATION	
SN 025-0053, 800th AVE	6.3
SN 025-0042, IL 37 RAMPS	3.2
TOTAL	9.5



First rail post on bridge rail is less than 1'-10" from the tapered section.
The first rail post shall be removed and re-installed at a minimum of 1'-10" from the end to have room to attach a Traffic Barrier Terminal Type 6A.
See Steel Railing, Type 2399 detail for how to attach post to curb.

Z0042505 POST REMOVAL AND REPLACEMENT (EACH)	
LOCATION	
SN 025-0042, IL 37 RAMPS	2.0

FILE NAME : c:\pwworkspace\steffenmk\d042616107	USER NAME : steffenk	DESIGNED -	REVISED -
463B-shr-details.dgn		DRAWN -	REVISED -
PLOT SCALE = 100.0000 ' / in.		CHECKED -	REVISED -
PLOT DATE = 9/8/2014		DATE -	REVISED -

STATE OF ILLINOIS
DEPARTMENT OF TRANSPORTATION

STEEL RAILING ADJUSTMENT DETAILS

SCALE: N/A SHEET 1 OF 1 SHEETS STA. TO STA.

F.A.P. RTE.	SECTION	COUNTY	TOTAL SHEETS	SHEET NO.
57	(25-6.7)RS-2	EFFINGHAM	63	49/63
				CONTRACT NO. 7403b
ILLINOIS FED. AID PROJECT				