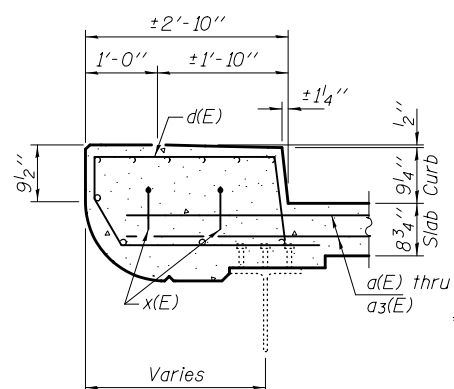
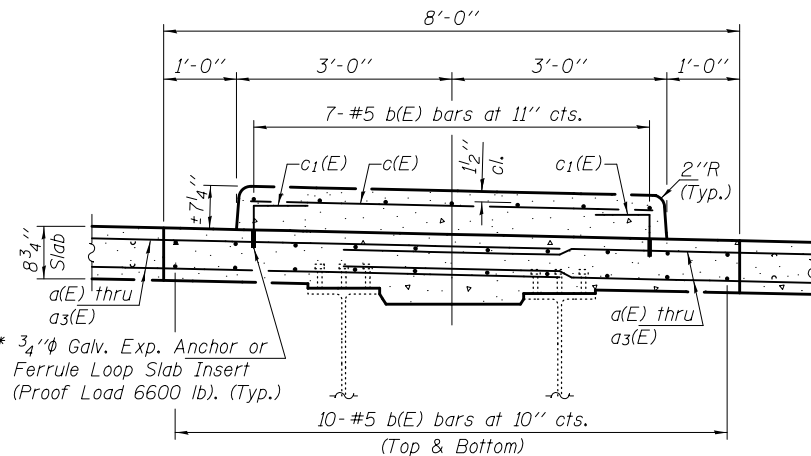


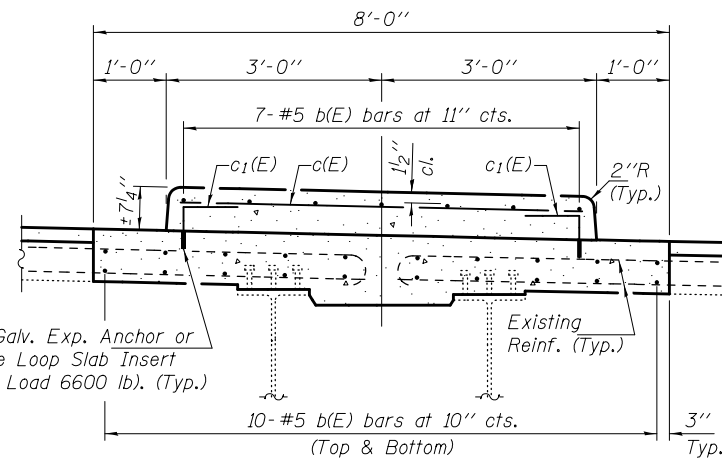
** The cost of expansion anchors/inserts is included in the cost of Reinforcement Bars, Epoxy Coated.



CURB DETAIL



MEDIAN DETAIL AT JOINTS

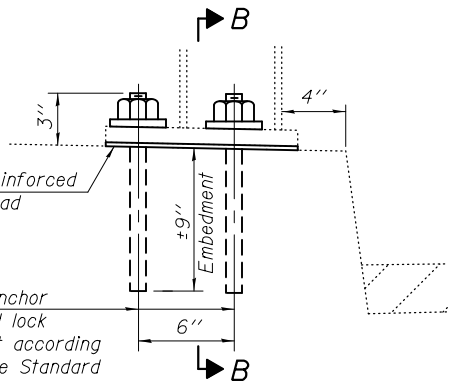


MEDIAN DETAIL AT MIDSPAN

Bridge Deck Fly Ash or GGBF Slag Concrete Overlay, 2 1/4"

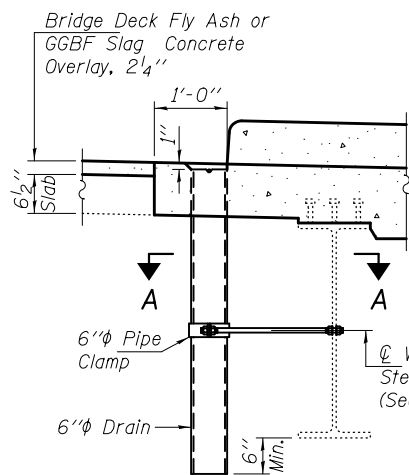
1/8" Fabric reinforced elastomeric pad

4-1"φ H.S. Threaded Anchor Rods with hex nuts and lock washers, drilled and set according to Article 509.06 of the Standard Specifications.



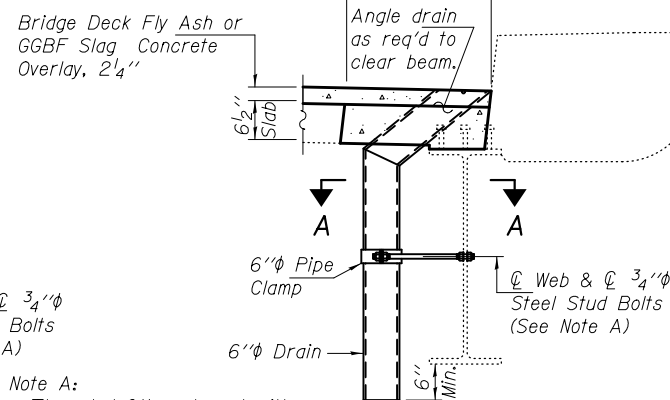
SECTION AT RAIL POST

Cost of Fabric Reinforced Elastomeric Pad and Threaded Anchor Rods is included with Concrete Removal.



DRAIN DETAIL AT MEDIAN

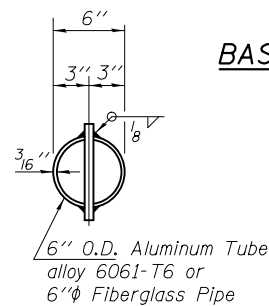
Removal included with Concrete Removal.



DRAIN DETAIL AT CURB

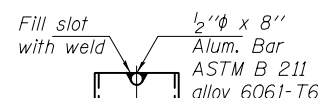
Removal included with Deck Slab Repair (Full Depth Type I).

Note A:
Threaded 6" each end with 2 washers and locknuts. Field drill 1 5/16"φ holes in web.

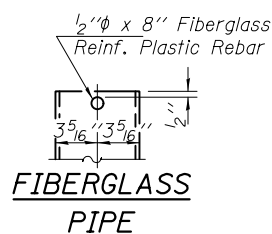


TOP PLAN

(Showing Aluminum Tube)

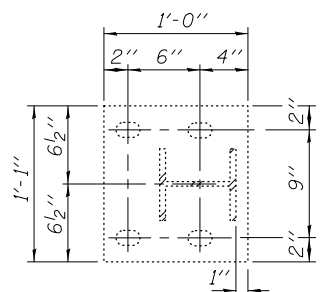


ALUMINUM TUBE



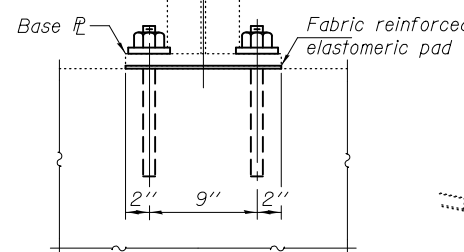
MIN. BAR LAP

#5 Bars = 2'-7"



BASE PLATE DETAIL

1" x 12" x 13"

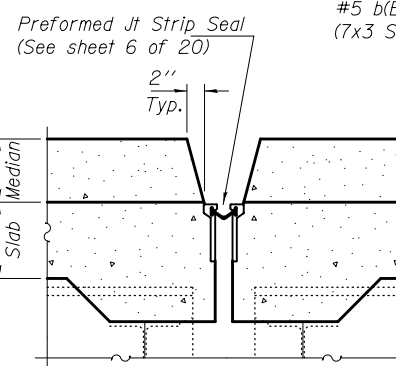


SECTION B-B

#5 b(E) bars at 10" cts. (Top & bott. of Slab)
(10x3 Spans 1 & 4, 10x5 Spans 2 & 3)

#5 b(E) bars at 11" cts. (Top of Median)
(7x3 Spans 1 & 4, 7x5 Spans 2 & 3)

* Order c(E) bars full length, field cut to fit skew and use remainder of bar in opposite end of span.



TYPICAL SECTION THRU JOINT AT MEDIAN

BAR c1(E)

PARTIAL PLAN OF MEDIAN REPLACEMENT

(Showing Reinforcement only)
(For dimensions see Median Details)

BILL OF MATERIAL (MEDIAN)

Bar	No.	Size	Length	Shape
b(E)	432	#5	18'-6"	—
c(E)	255	#4	5'-7"	—
c1(E)	510	#4	1'-7"	┌
Concrete Removal			Cu. Yd.	85
Concrete Superstructure			Cu. Yd.	85
Reinforcement Bars, Epoxy Coated			Pounds	9830

Notes:

Drains shall be located clear of all diaphragms.
The exterior surfaces of the floor drains shall be painted with the finish coat as specified in the special provisions for Cleaning and Painting New Metal Structures. The exterior surfaces of the drains shall be cleaned according to the Society of Protective Coatings' Spec. SSPC-SP1 prior to painting.
Fiberglass pipe shall conform to ASTM D 2996, with short-time rupture strength hoop tensile stress of 30,000 p.s.i. minimum.
Galvanize clamping device according to AASHTO M232. Cost of clamping device and inserts is included with Floor Drains.

DESIGNED TLC
CHECKED ATH
DRAWN Steffen
CHECKED TLC ATH

EXAMINED
PASSED
ACTING ENGINEER OF STRUCTURAL SERVICES
ACTING ENGINEER OF BRIDGES AND STRUCTURES

DATE OCTOBER 16, 2014
REVISED
REVISED

STATE OF ILLINOIS
DEPARTMENT OF TRANSPORTATION

REPAIR DETAILS
SN 025-0042

SHEET NO. 7 OF 20 SHEETS

F.A.I. RTE. SECTION COUNTY TOTAL SHEETS SHEET NO.
57 (25-6,7RS-2) EFFINGHAM 63 56
CONTRACT NO. 74638
ILLINOIS FED. AID PROJECT