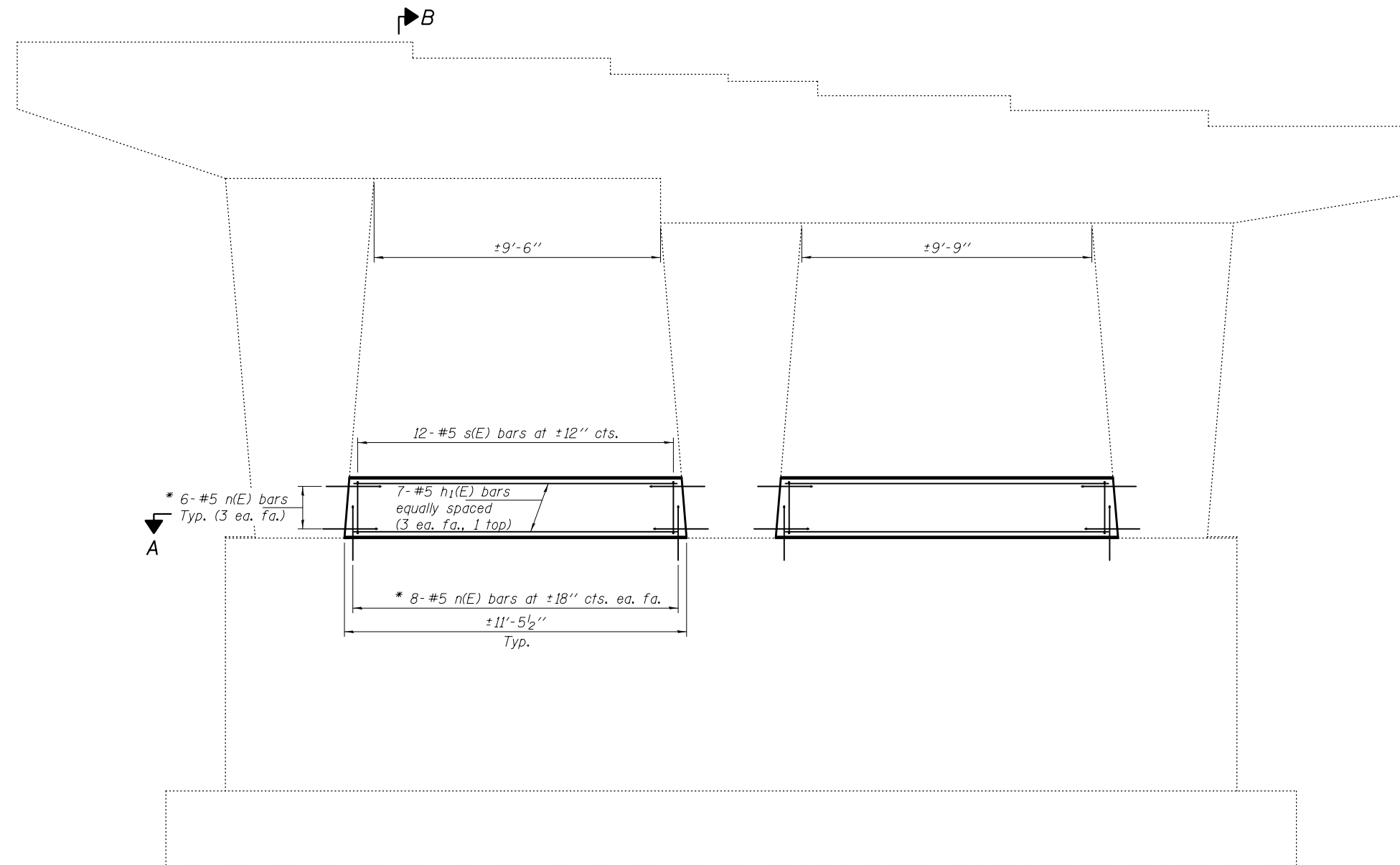


**NOTES**

The cost of epoxy grouting threaded rods shall be included with Reinforcement Bars, Epoxy Coated.

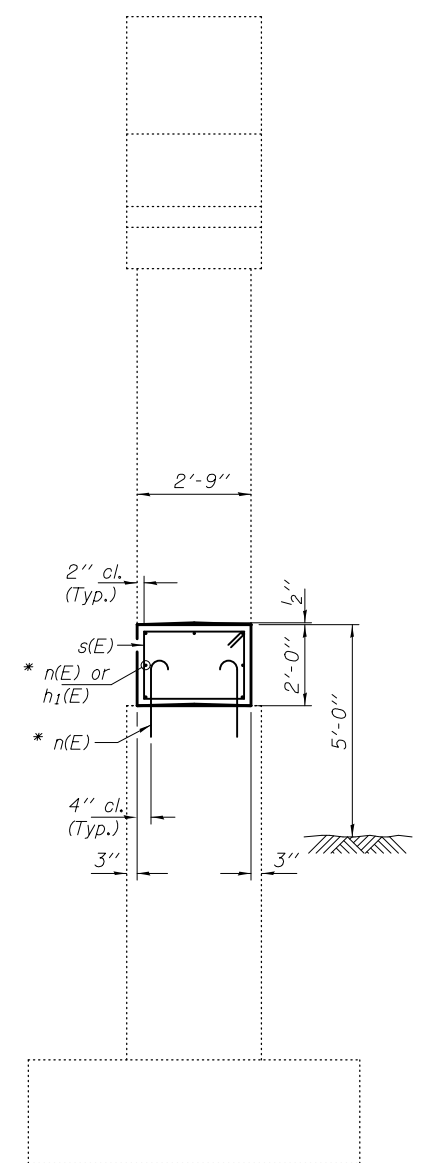
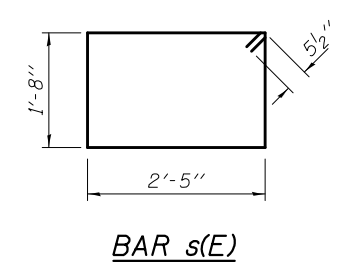


\* 6-#5 n(E) bars  
Typ. (3 ea. fa.)

7-#5 h<sub>1</sub>(E) bars  
equally spaced  
(3 ea. fa., 1 top)

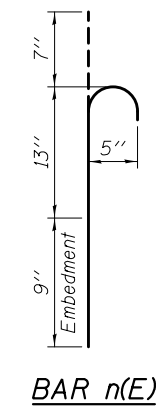
\* 8-#5 n(E) bars at ±18" cts. ea. fa.  
±11'-5 1/2"  
Typ.

12-#5 s(E) bars at ±12" cts.



**SECTION B-B**

\* Epoxy grout n(E) bars in 9" min. holes according to Article 584 of the Standard Specifications.

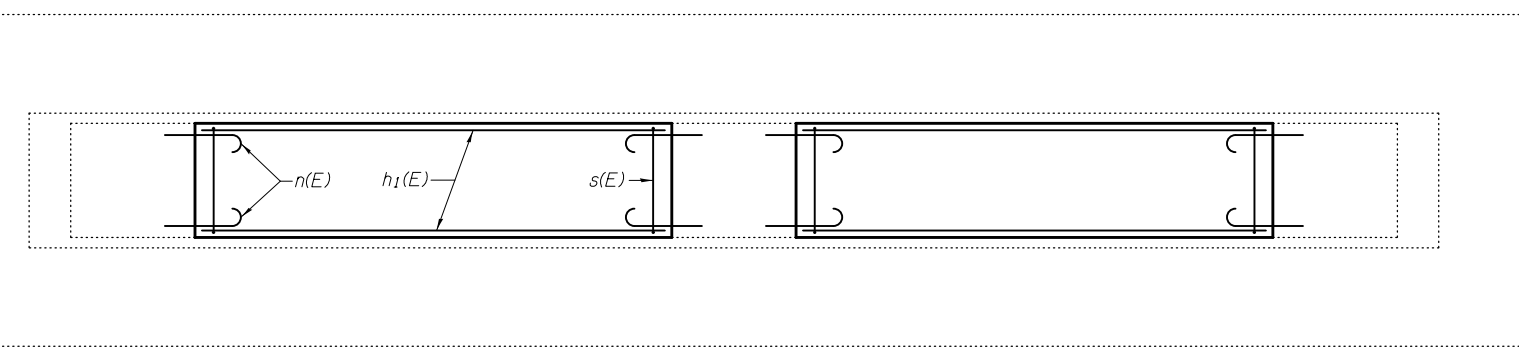


**BILL OF MATERIAL**

Bar	No.	Size	Length	Shape
h <sub>1</sub> (E)	14	#5	10'-10"	—
n(E)	56	#5	2'-5"	⌒
s(E)	24	#5	9'-1"	□
Concrete Structures			Cu. Yd.	4.6
Reinforcement Bars, Epoxy Coated			Pound	530

For additional pier repairs, see sheet 17 of 20.

**ELEVATION**



**SECTION A-A**

DESIGNED <i>TLC</i>	EXAMINED <i>Timothy A. [Signature]</i>	DATE <i>OCTOBER 16, 2014</i>
CHECKED <i>ATH</i>	PASSED <i>[Signature]</i>	REVISIONS
DRAWN <i>Steffen/baliva</i>	ACTING ENGINEER OF BRIDGES AND STRUCTURES	
CHECKED <i>TLC ATH</i>		

**STATE OF ILLINOIS  
DEPARTMENT OF TRANSPORTATION**

**PIER 2 CRASHWALL EXTENSION  
SN 025-0042**

SHEET NO. 13 OF 20 SHEETS

F.A.I. RTE.	SECTION	COUNTY	TOTAL SHEETS	SHEET NO.
57	(25-6,7)RS-2	EFFINGHAM	63	58D
CONTRACT NO. 74638			ILLINOIS FED. AID PROJECT	