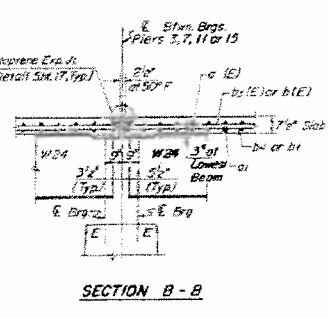
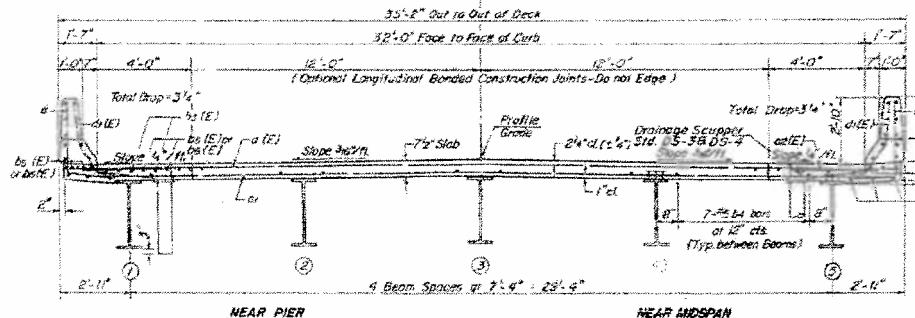
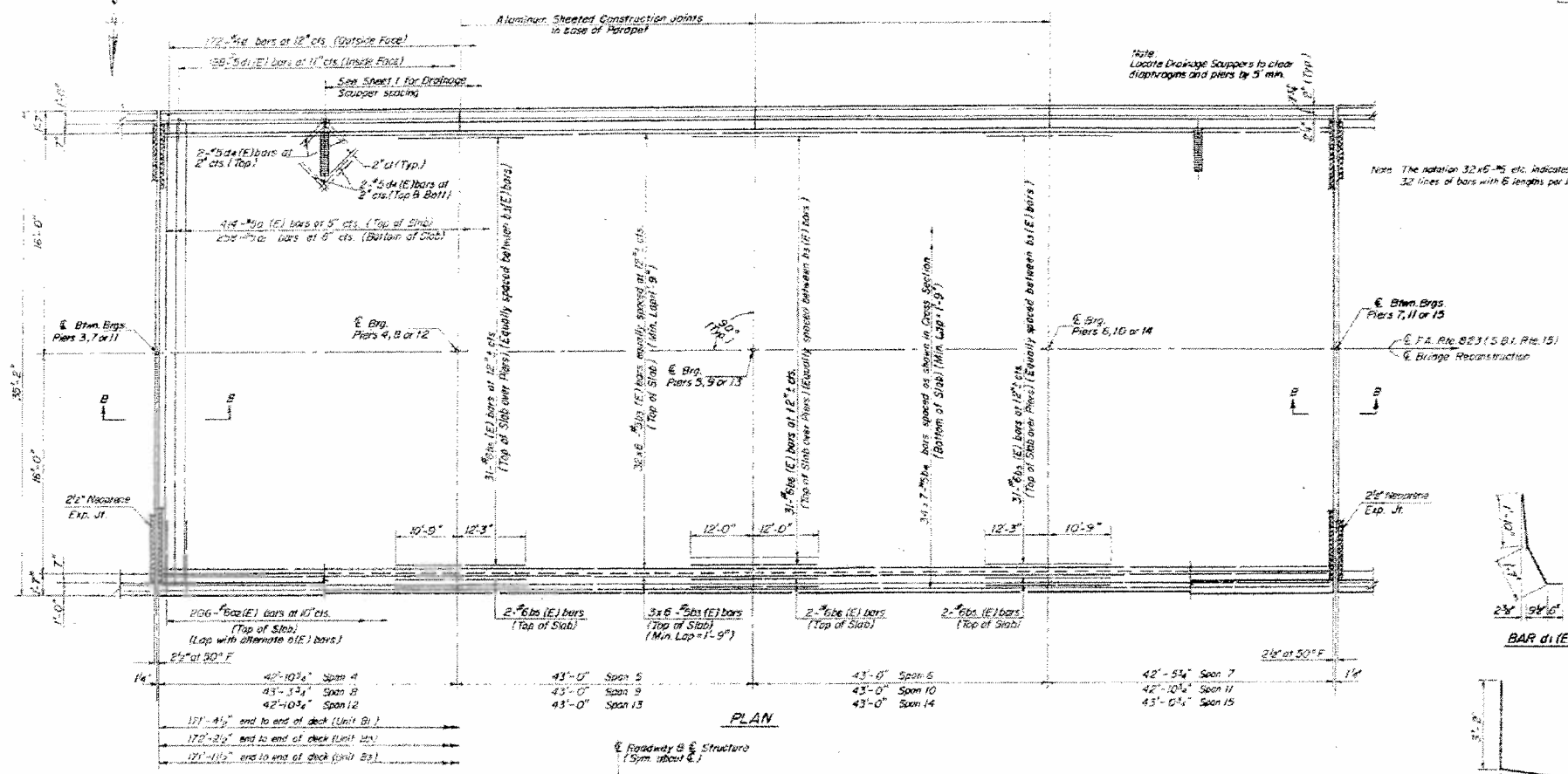


STATE OF ILLINOIS
DEPARTMENT OF TRANSPORTATION

PROJECT NO.	SECTION	COUNTY	TOTAL SHEETS	SHEET NO. OF
823 D7	BRIDGE PAINTING	WAYNE	15	6
DATE	DESIGNED BY	DRAWN BY	CHECKED BY	SCALE
8/5/2014	D.V.K.	H.E.S.	E.F.V.	N/A



UNITS B1, B2, B3
BILL OF MATERIAL

Bar	No.	Size	Length	Shape
B1 (E)	1848	#5	33'-8"	
B2 (E)	776	#5	33'-8"	
B3 (E)	1026	#5	4'-0"	
B4 (E)	684	#5	30'-8"	
B5 (E)	714	#5	25'-4"	
B6 (E)	810	#6	23'-0"	
B7 (E)	105	#6	24'-0"	
B8 (E)	1026	#5	31'-8"	
B9 (E)	1188	#5	3'-11"	
B10 (E)	256	#5	22'-0"	

Class 3 Concrete to Rte. 490 E
Reinforcement Bars Lbs. #3,250
Rein. Bars (Epoxy Coated) Lbs. #3,250

Reinforcement bars designated (E) shall be epoxy coated. See Section Provisions.
Quantities for parapets and curbs are shown on Sheet 11.

UNITS B1, B2, AND B3
SUPERSTRUCTURE
F.A.R.T.E. 623 (S. R.T.E. 15)
OVER LITTLE WASH RIVER
WAYNE COUNTY
SECTION 22 BR-7
STA. 492+75

DESIGNED	D.V.K.
CHECKED	E.F.V.
DRAWN	H.E.S.
CHECKED	D.V.K.