

SHEAR CONNECTOR DETAIL

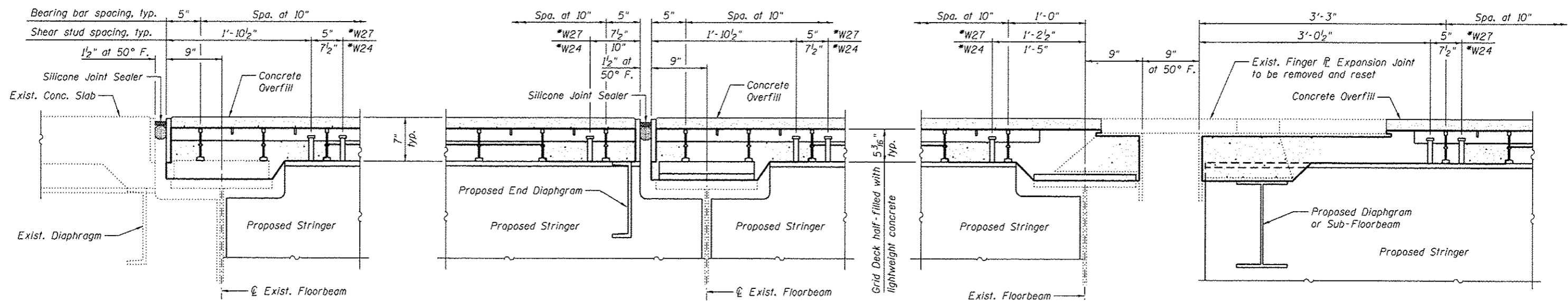
3/4" dia. granular or solid flux filled headed studs, automatically end welded to flange (19,740 req'd.)

** Bottom of open floor drain pipe shall extend 3" minimum below floorbeams at south gutter line, 3" minimum below telephone conduit hangers at north gutter line.

TYPICAL CROSS SECTION

Fabricate steel grid deck units to match crown of roadway

* Shear stud spa. at 5" max. along top of proposed W27x84 stringer and spa. at 10" max. along top of proposed W24x84 stringer.



**EXPANSION JOINT AT L17
L17' (OPPOSITE HAND)**

**EXPANSION JOINT AT L20, L22 AND L25
L25' AND L20' (OPPOSITE HAND)**

EXPANSION JOINT AT L22'

Notes:
 Grid deck panel shall be adjusted to proper elevation through the use of built-in leveling bolts or shims.
 For grid deck floor system details, see sheet S16.
 For silicone joint sealer details, see sheet S16.
 For floor drain details, see sheet S17.
 For parapet and post details, see sheet S33.
 For finger plate expansion joint, see sheet S104.



USER NAME :	DESIGNED - YSS	REVISED
PLOT SCALE :	CHECKED - ZJB	REVISED
PLOT DATE :	DRAWN - PRC	REVISED
	CHECKED - YSS	REVISED

STATE OF ILLINOIS
DEPARTMENT OF TRANSPORTATION

MAIN SPANS GRID DECK DETAILS - 2
S.N. 082-6001 MLK BRIDGE OVER MISSISSIPPI RIVER

F.A.P. RTE.	SECTION	COUNTY	TOTAL SHEETS	SHEET NO.
799	1BR, DRS-2	ST. CLAIR	156	33
			CONTRACT NO. 76B03	
ILLINOIS FED. AID PROJECT				

SHEET NO. S15 OF S138 SHEETS