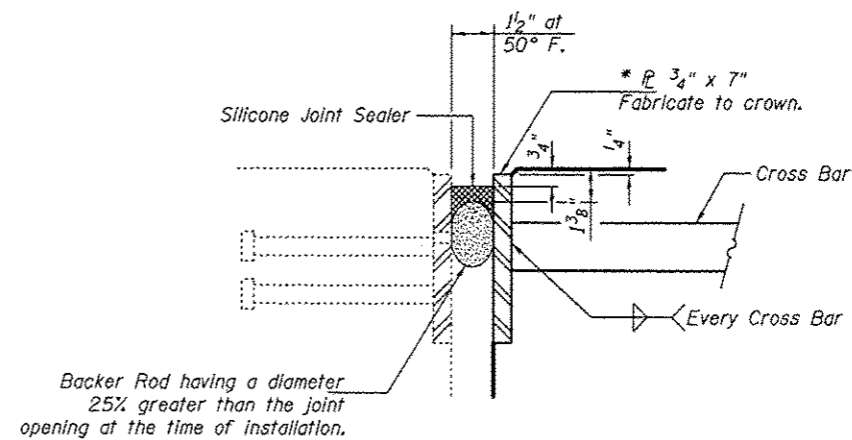
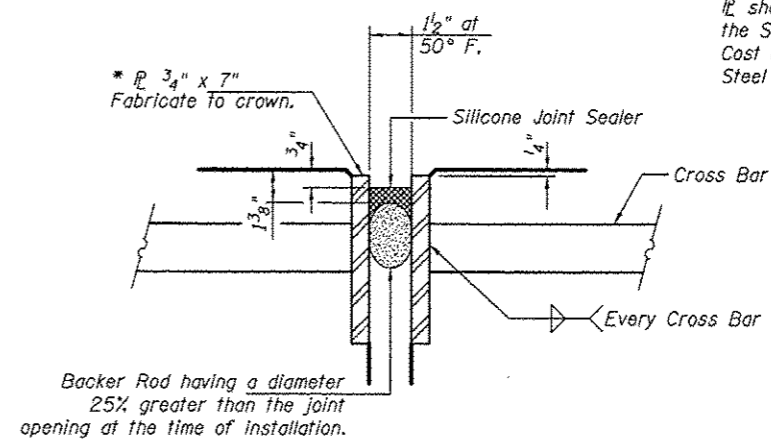


GRID DECK FLOOR SYSTEM

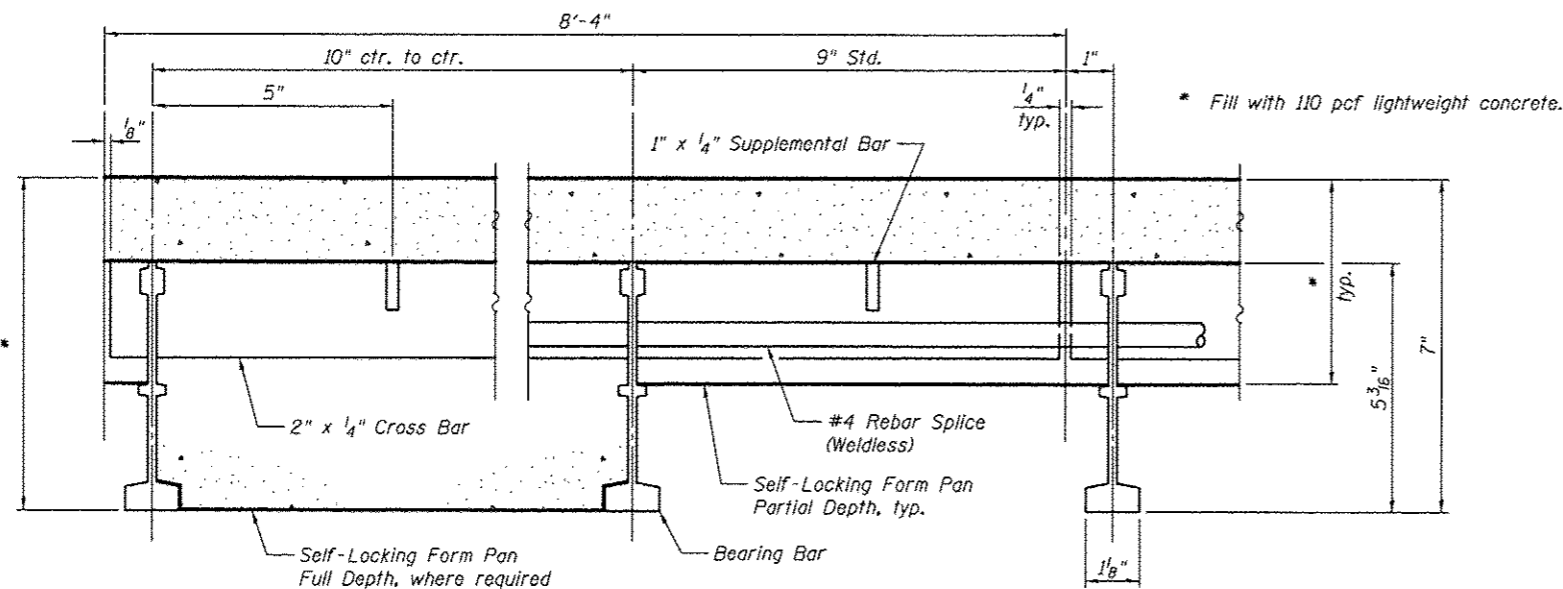


SILICONE JOINT SEALER DETAIL AT L17 AND L17'

* Furnish in segments of 20 ft. maximum length. Maximum space between installed segments shall be 3/16". Seal space with Silicone Sealant suitable for Structural Steel. After fabrication, all surfaces of the steel R shall be galvanized in accordance with the Steel Grid Deck Special Provision. Cost of the plate shall be included with Steel Grid Deck.



SILICONE JOINT SEALER DETAIL AT L20, L22, L25, L25' AND L20'



SECTION A-A

Notes:
 Grid deck rebar splice, cross bar and supplementary bar sizes shown are minimums, see Special Provisions.
 Grid deck panel widths may be adjusted to meet the distance requirements of the grid deck between roadway expansion devices.
 Grid deck material shall be AASHTO M270 Grade 50.
 Reinforcing bar shall be AASHTO M31 Grade 60.
 See Steel Grid Deck Special Provision for additional information related to this work.

BILL OF MATERIAL

Item	Unit	Total
Steel Grid Deck	Sq. Ft.	31,026
Bridge Deck Grooving	Sq. Yd.	3058
Silicone Joint Sealer, 1.5"	Foot	300
Floor Drains	Each	100



USER NAME =	DESIGNED - YSS	REVISED
	CHECKED - ZJB	REVISED
PLOT SCALE =	DRAWN - PRC	REVISED
PLOT DATE = 03/28/2014	CHECKED - YSS	REVISED

STATE OF ILLINOIS
 DEPARTMENT OF TRANSPORTATION

MAIN SPANS GRID DECK DETAILS - 3
 S.N. 082-6001 MLK BRIDGE OVER MISSISSIPPI RIVER

SHEET NO. S16 OF S138 SHEETS

F.A.P. RTE.	SECTION	COUNTY	TOTAL SHEETS	SHEET NO.
799	1BR, DRS-2	ST. CLAIR	156	34
ILLINOIS FED. AID PROJECT			CONTRACT NO. 76B03	