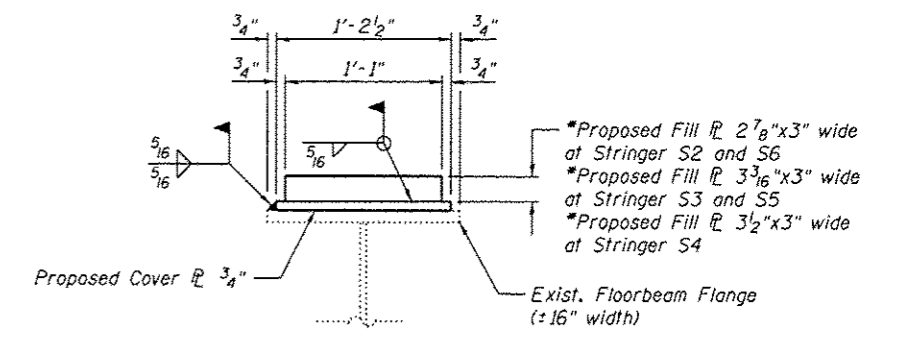


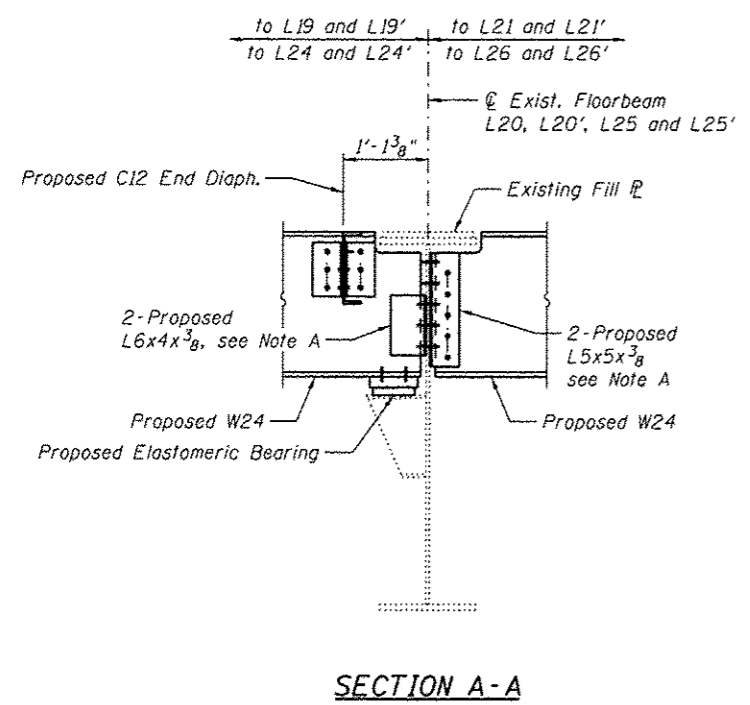
**ELEVATION - FLOORBEAM L20 AND L25 (SHOWN)
ELEVATION - FLOORBEAM L20' AND L25' (SIMILAR)**



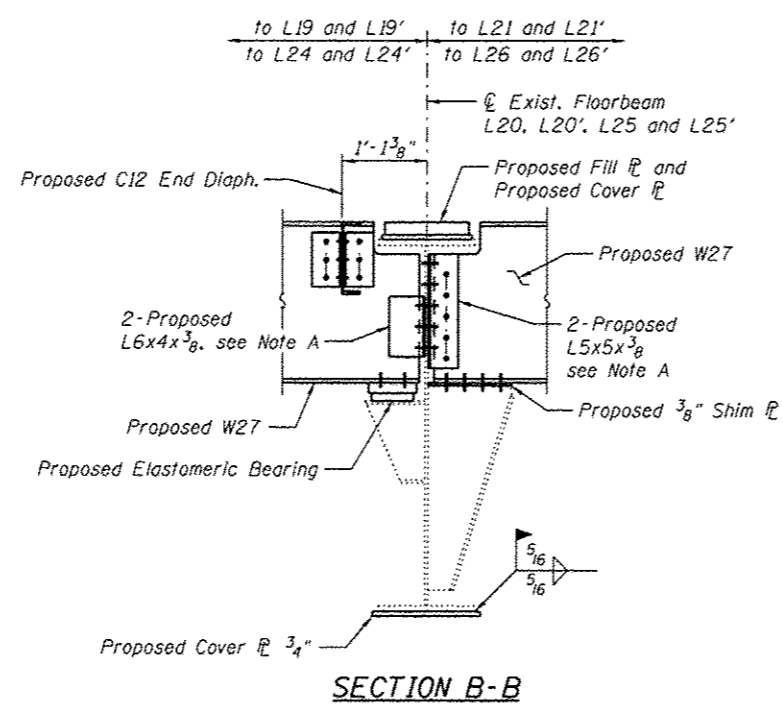
DETAIL OF COVER PLATE AND FILL PLATE

at Stringer S2, S3, S4, S5 and S6

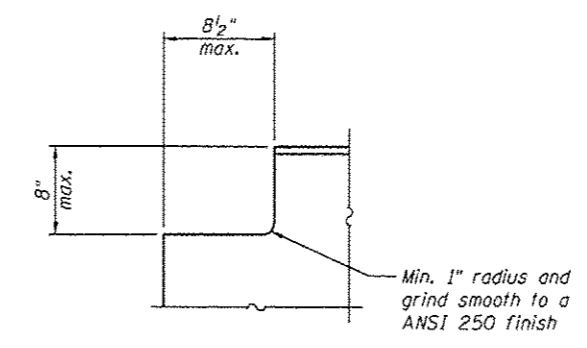
* Remove existing fill $\bar{\bar{r}}$ and center proposed fill $\bar{\bar{r}}$ along $\bar{\bar{c}}$ stringer line, attach to proposed cover $\bar{\bar{r}}$



SECTION A-A



SECTION B-B



TYPICAL STRINGER COPING DETAIL

Note A:
Field drill holes using existing holes as template. Remainder of holes may be shop or field drilled.

Notes:
For diaphragm and connection angle details, see sheet S24.
For elastomeric bearing details and quantities, see sheet S23.
For additional cover plate details for floorbeam strengthening, see sheet S21.
Cost of stringer connection angles and shim plates shall be included in Furnishing and Erecting Structural Steel.
Cost of cover plates and fill plates shall be included in Structural Steel Repair.
Load carrying components designated "NTR" shall conform to the Impact Testing Requirement, Zone 2.

BILL OF MATERIAL

Item	Unit	Total
Structural Steel Repair	Pound	11,330



USER NAME :
DESIGNED - MEL/YSS
CHECKED - COB/ZJB
PLOT SCALE :
DRAWN - PRC
PLOT DATE : 05/02/2014
CHECKED - MEL/YSS
REVISED

DESIGNED - MEL/YSS
CHECKED - COB/ZJB
DRAWN - PRC
CHECKED - MEL/YSS
REVISED

**STATE OF ILLINOIS
DEPARTMENT OF TRANSPORTATION**

**MAIN SPANS GRID DECK FRAMING DETAILS - 2
S.N. 082-6001 MLK BRIDGE OVER MISSISSIPPI RIVER**

SHEET NO. S18 OF S138 SHEETS

F.A.R. RTE.	SECTION	COUNTY	TOTAL SHEETS	SHEET NO.
799	1BR, ORS-2	ST. CLAIR	156	36

CONTRACT NO. 76B03
ILLINOIS FED. AID PROJECT