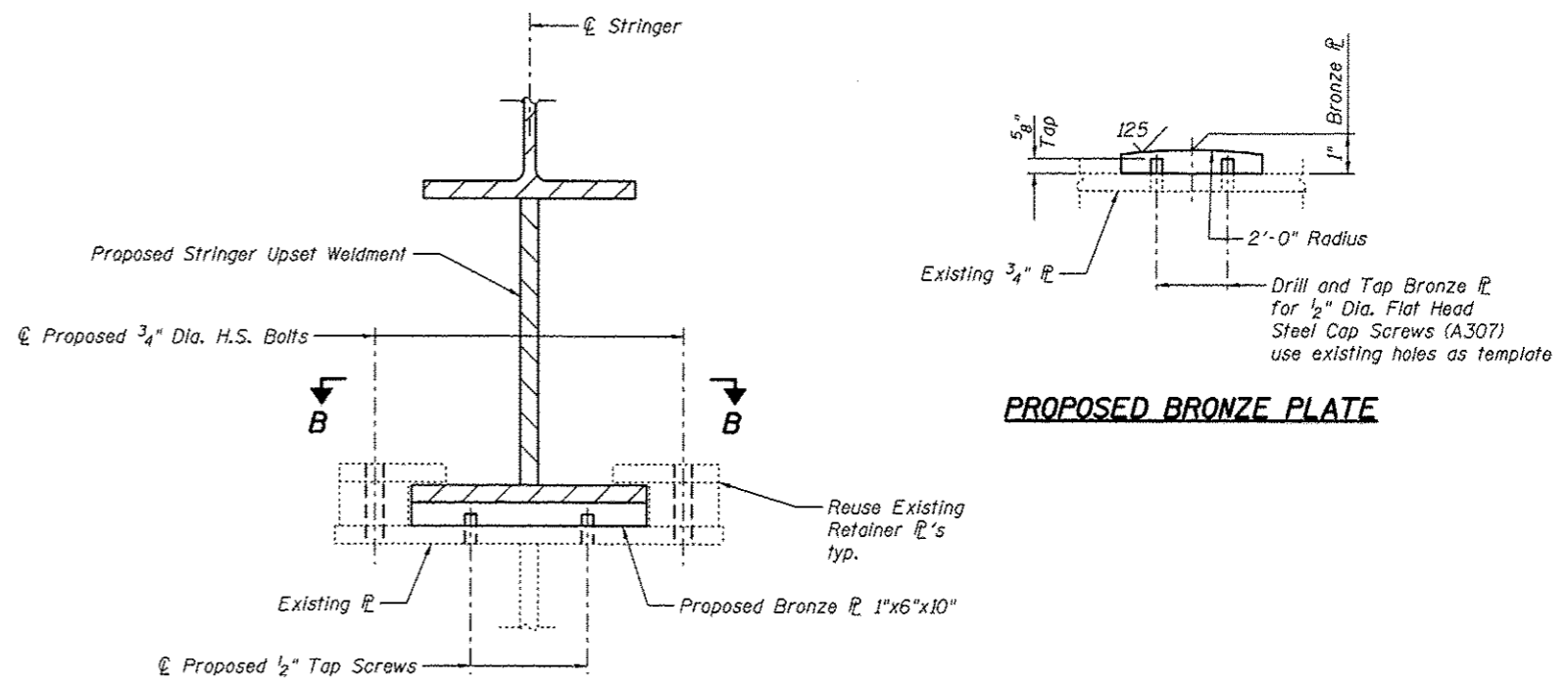
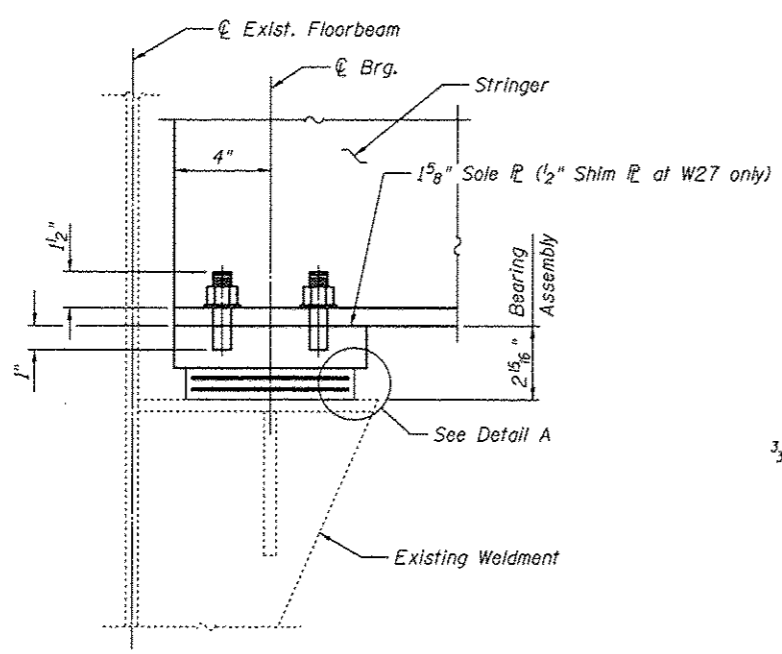


REMOVAL AND INSTALLATION OF STRINGER EXPANSION BEARING
Elastomeric Bearing Assembly Type I
(35 Required)

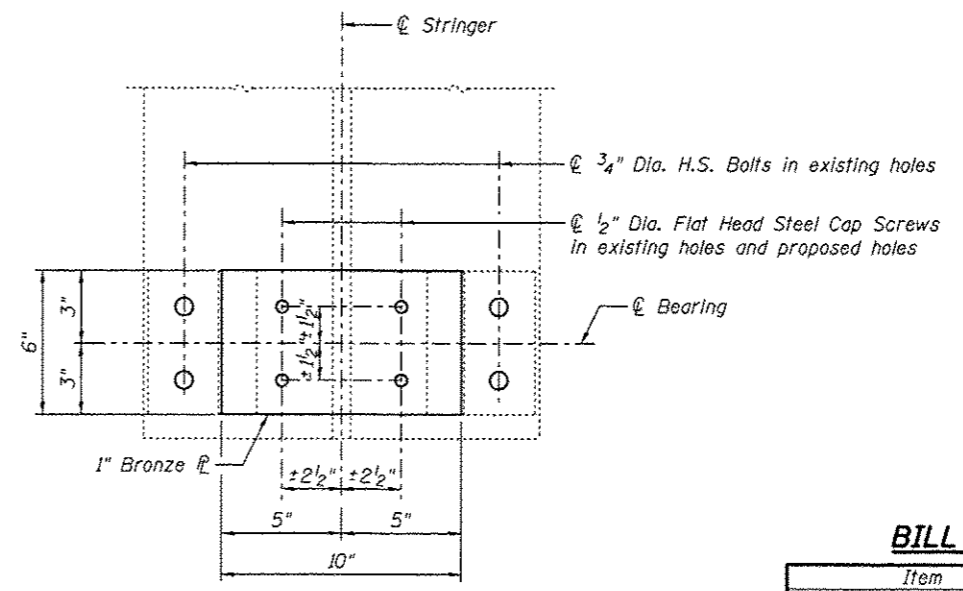


REMOVAL AND INSTALLATION OF BRONZE PLATES
(6 Required)

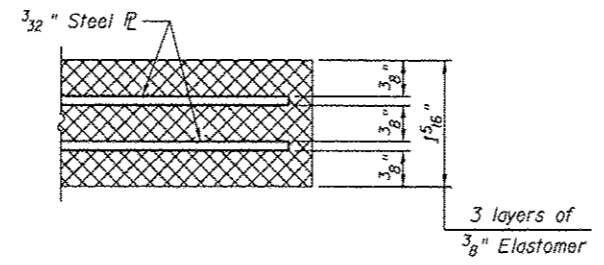


SECTION A-A

Note:
Shim plates shall not be placed under bearing assembly.



SECTION B-B
Stringer upset weldment not shown for clarity.



DETAIL A

BILL OF MATERIAL

Item	Unit	Total
Elastomeric Bearing Assembly Type I	Each	35

Notes:
Bronze plates shall conform to ASTM B22. Cost of bronze plate and tap screw are included with the cost for Furnishing and Erecting Structural Steel.
For removal of existing expansion bearing and bronze plate, see Special Provision "Removal of Existing Filled Grid Deck".



USER NAME =	DESIGNED - YSS	REVISED
	CHECKED - ZJB	REVISED
PLOT SCALE =	DRAWN - PRC	REVISED
PLOT DATE = 03/20/2014	CHECKED - YSS	REVISED

STATE OF ILLINOIS
DEPARTMENT OF TRANSPORTATION

MAIN SPANS GRID DECK FRAMING DETAILS - 7
S.N. 082-6001 MLK BRIDGE OVER MISSISSIPPI RIVER

SHEET NO. S23 OF S138 SHEETS

F.A.P. RTE.	SECTION	COUNTY	TOTAL SHEETS	SHEET NO.
799	1BR, DRS-2	ST. CLAIR	136	41
ILLINOIS FED. AID PROJECT				

CONTRACT NO. 76B03