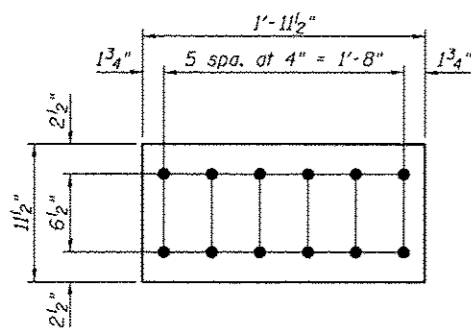
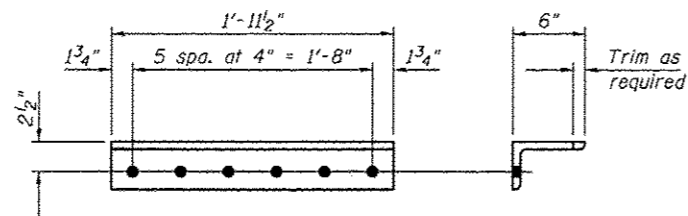


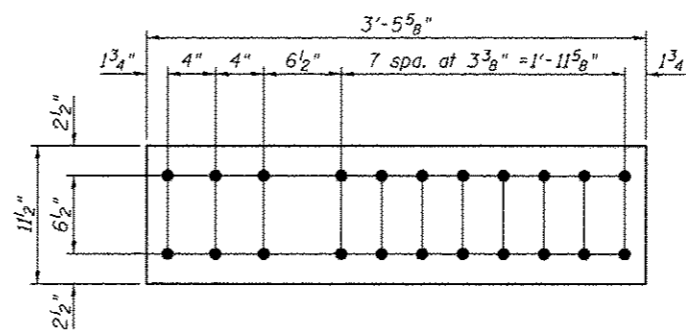
GUIDE PIN PLATE REPAIR U22-L22
(U22'-L22' SIMILAR)
 North and South Truss



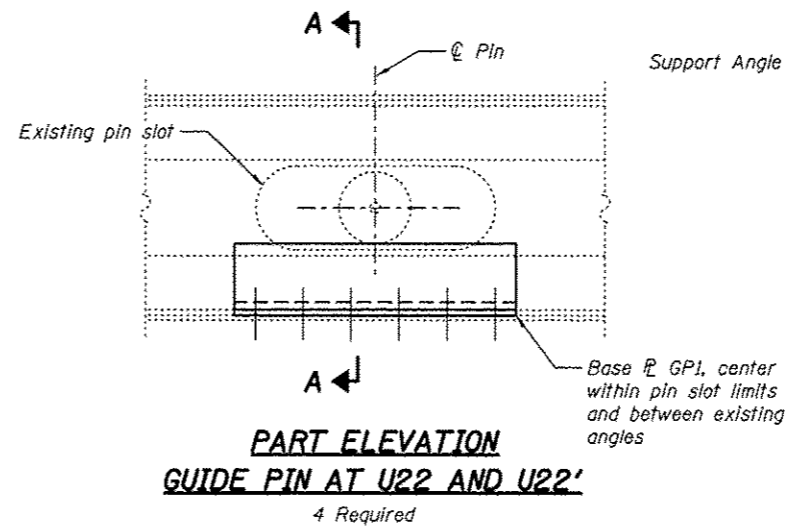
BASE P GPI
 $\text{P } \frac{1}{2} \times 11\frac{1}{2} \times 1'-11\frac{1}{2}$



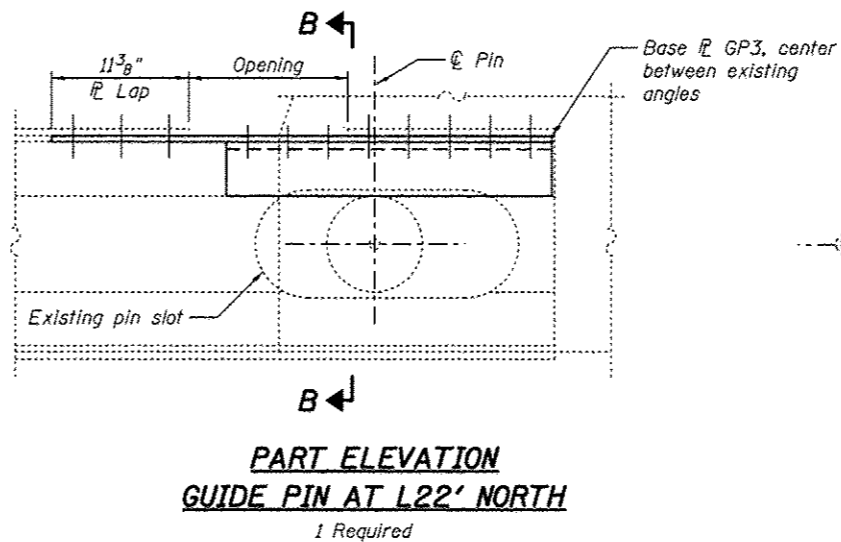
SUPPORT ANGLE GP2
 $L6 \times 4 \times \frac{7}{8}$



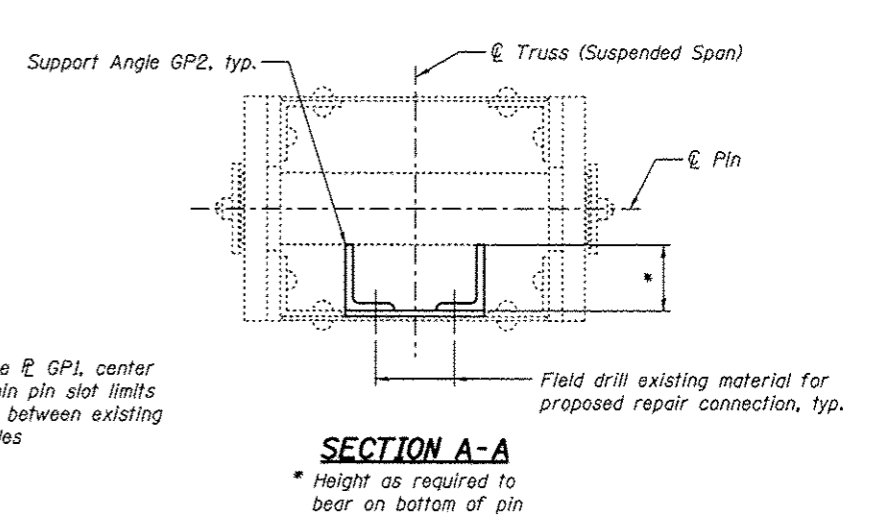
BASE P GP3
 $\text{P } \frac{1}{2} \times 11\frac{1}{2} \times 3'-5\frac{5}{8}$



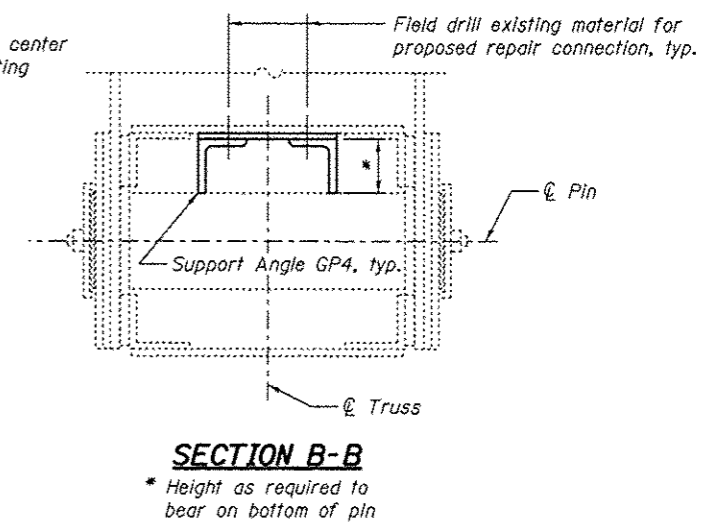
PART ELEVATION
GUIDE PIN AT U22 AND U22'
 4 Required



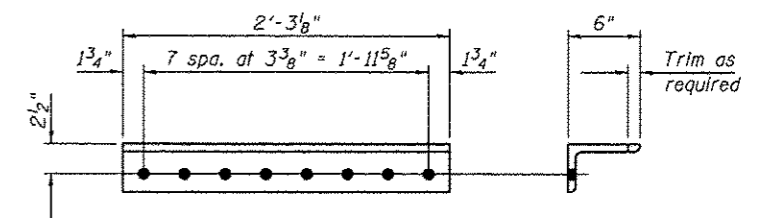
PART ELEVATION
GUIDE PIN AT L22' NORTH
 1 Required



SECTION A-A
 * Height as required to bear on bottom of pin



SECTION B-B
 * Height as required to bear on bottom of pin



SUPPORT ANGLE GP4
 $L6 \times 4 \times \frac{7}{8}$

BILL OF MATERIAL

Item	Unit	Total
Structural Steel Repair	Pound	840



USER NAME *	DESIGNED - PRC	REVISED
	CHECKED - CDB	REVISED
PLOT SCALE *	DRAWN - PRC	REVISED
PLOT DATE *	CHECKED - CDB	REVISED

STATE OF ILLINOIS
 DEPARTMENT OF TRANSPORTATION

MAIN SPANS GUIDE PIN PLATE REPAIR
 S.N. 082-6001 MLK BRIDGE OVER MISSISSIPPI RIVER

SHEET NO. 545 OF 5138 SHEETS

F.A.P. RTE.	SECTION	COUNTY	TOTAL SHEETS	SHEET NO.
799	18R, ORS-2	ST. CLAIR	156	63
CONTRACT NO. 76B03				
ILLINOIS FED. AID PROJECT				