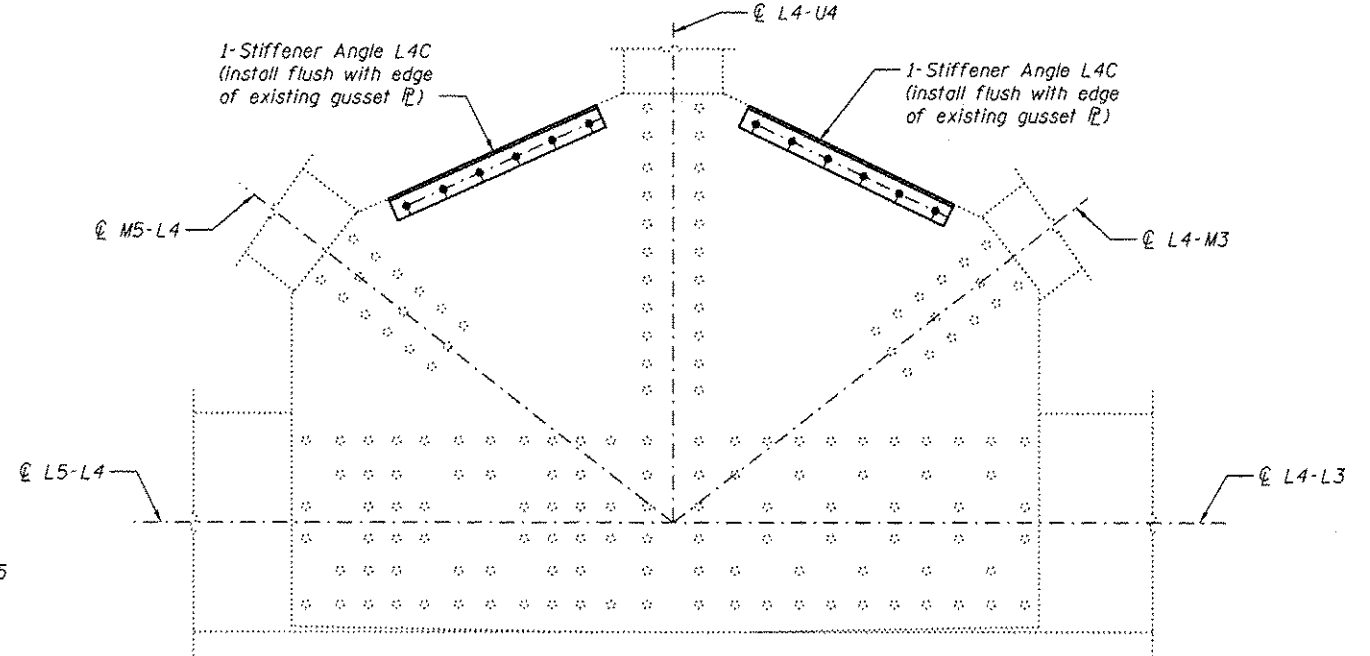


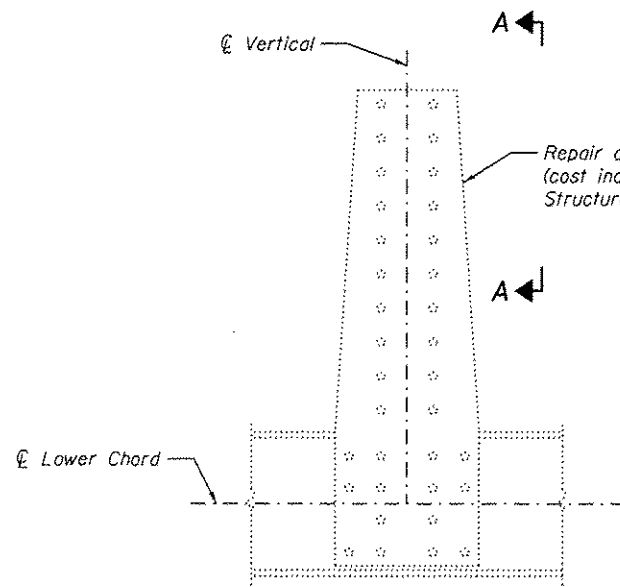
OUTSIDE PLATE AT PANEL POINT L4N AND L4S
(L4'N AND L4'S SIMILAR)
 (Span 9 and 11)



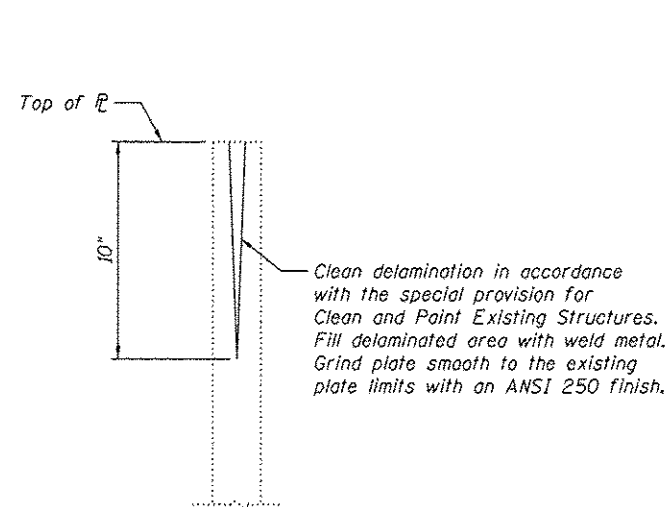
INSIDE PLATE AT PANEL POINT L4N AND L4S
(L4'N AND L4'S SIMILAR)
 (Span 9 and 11)

Outside gusset plate at L4'N is warped both sides of vertical L4-U4. Plates shall be straightened prior to attaching stiffener angles. Contractor shall submit a straightening procedure to the Engineer for review and approval prior to the performing work.

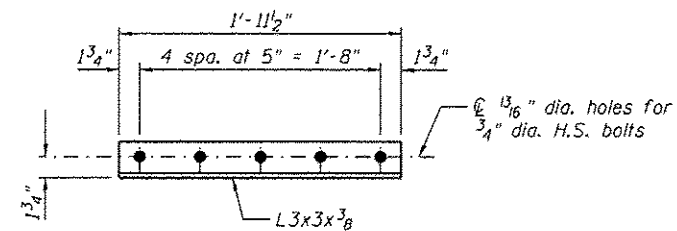
GUSSET PLATE STRENGTHENING



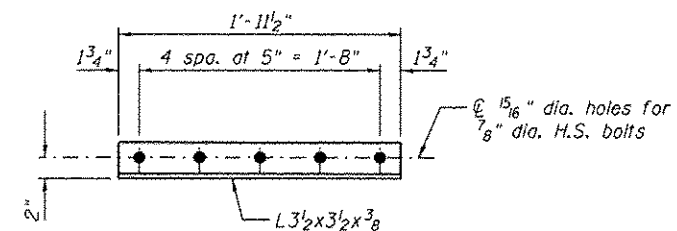
INSIDE PLATE AT PANEL POINT L25N
 (Span 10)



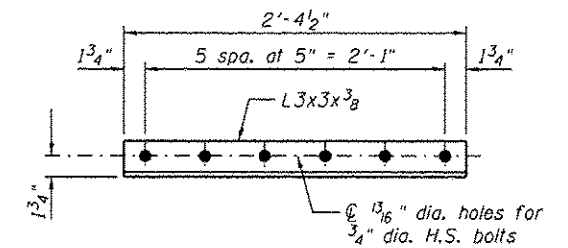
VIEW A-A



STIFFENER ANGLE L4A



STIFFENER ANGLE L4B



STIFFENER ANGLE L4C

Notes:
 Field drill holes in existing gusset plate using new material as template.

BILL OF MATERIAL

Item	Unit	Total
Structural Steel Repair	Pound	340



USER NAME *	DESIGNED - MEL	REVISED
PLOT SCALE *	CHECKED - CDB	REVISED
PLOT DATE * 05/02/2014	DRAWN - PRC	REVISED
	CHECKED - MEL	REVISED

STATE OF ILLINOIS
 DEPARTMENT OF TRANSPORTATION

MAIN SPANS GUSSET PLATE STRENGTHENING - 2
 S.N. 082-6001 MLK BRIDGE OVER MISSISSIPPI RIVER

SHEET NO. S47 OF S138 SHEETS

F.A.P. RTE.	SECTION	COUNTY	TOTAL SHEETS	SHEET NO.
799	1BR, DRS-2	ST. CLAIR	156	65
ILLINOIS FED. AID PROJECT			CONTRACT NO. 76B03	