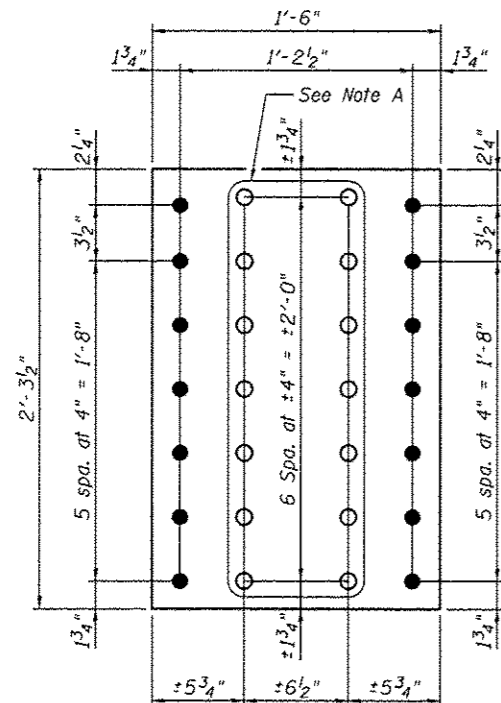
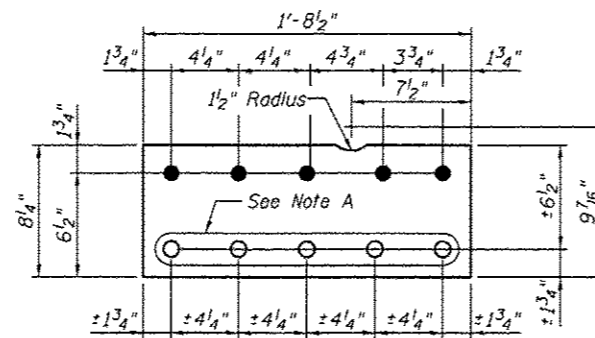


**OUTSIDE PLATE AT PANEL POINT L6N AND L6S
(L6'N AND L6'S SIMILAR)**
(Span 9 and Span 11)

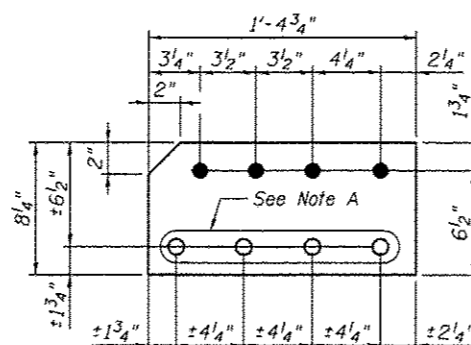
GUSSET PLATE STRENGTHENING



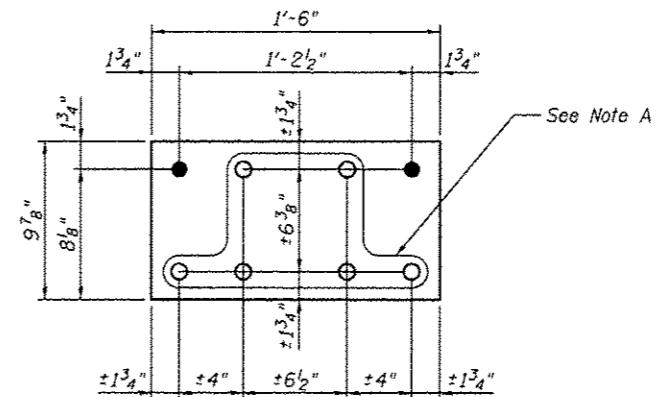
REPAIR P L6A
P 1 1/4" x 18" x 2'-3 1/2"



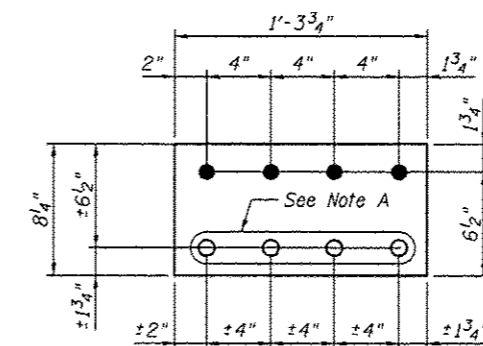
REPAIR P L6B
P 1 1/4" x 8 1/4" x 1'-8 1/2"



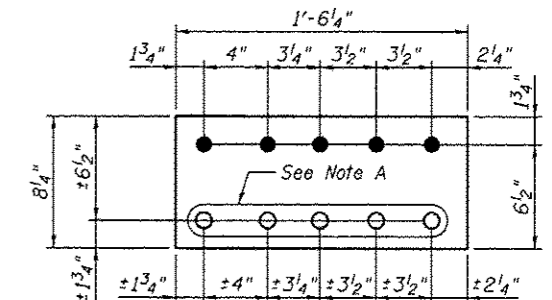
REPAIR P L6C
P 7/8" x 8 1/4" x 1'-4 3/4"



REPAIR P L6D
P 7/8" x 9 7/8" x 1'-6"



REPAIR P L6E
P 7/8" x 8 1/4" x 1'-3 3/4"



REPAIR P L6F
P 1 1/4" x 8 1/4" x 1'-6 1/4"

Procedure
Remove the bottom lateral connection plate and angle; then install repair plates, angles and fills, as shown, one side at a time on the inside gusset plate. Install remaining repair plates and fills, one at a time, on the inside gusset plate, followed by the installation of the repair plates, one at a time, on the outside gusset plate.

If additional fasteners need to be removed other than those shown on this sheet, the Contractor shall submit a procedure for review and approval. If needed, the Contractor shall provide temporary support for floorbeams and joints.

BILL OF MATERIAL

Item	Unit	Total
Structural Steel Repair	Pound	4,870

Note A:
Field drill holes using existing holes as template.
Remainder of holes may be shop or field drilled.

Notes:
All bolted connections shown on this sheet shall be made with 1" dia. H.S. bolts unless otherwise noted.
For L6 inside gusset P, see sheet S49.
For front face of gusset P, see sheet S8.



USER NAME =	DESIGNED - MEL/YSS	REVISED
PLOT SCALE =	CHECKED - COB	REVISED
PLOT DATE = 05/09/2014	DRAWN - AEC	REVISED
	CHECKED - MEL	REVISED

**STATE OF ILLINOIS
DEPARTMENT OF TRANSPORTATION**

**MAIN SPAN GUSSET PLATE STRENGTHENING - 3
S.N. 082-6001 MLK BRIDGE OVER MISSISSIPPI RIVER**

SHEET NO. S48 OF S138 SHEETS

F.A.P. RTE.	SECTION	COUNTY	TOTAL SHEETS	SHEET NO.
799	1BR, ORS-2	ST. CLAIR	156	66
			CONTRACT NO. 76B03	
ILLINOIS FED. AID PROJECT				