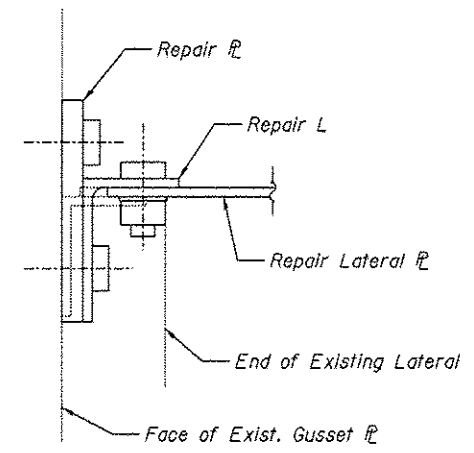
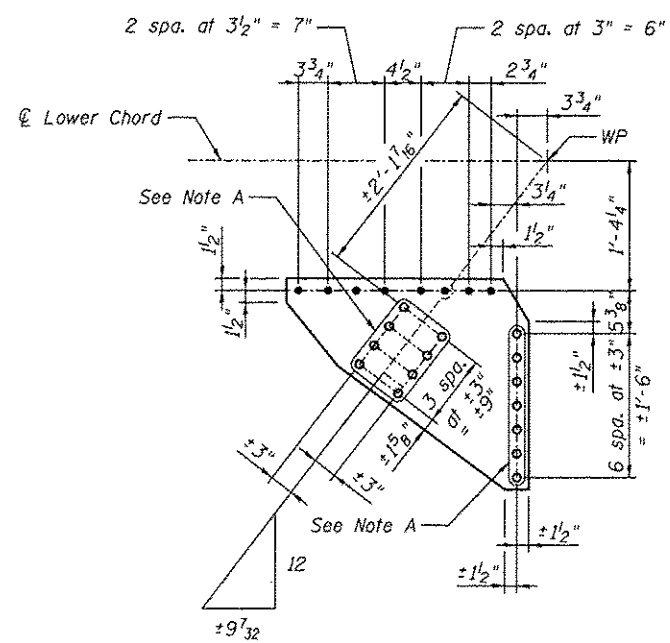


LOWER LATERAL AT PANEL POINT L6N AND L6S
(L6'N AND L6'S SIMILAR)
 (Span 9 and Span 11)

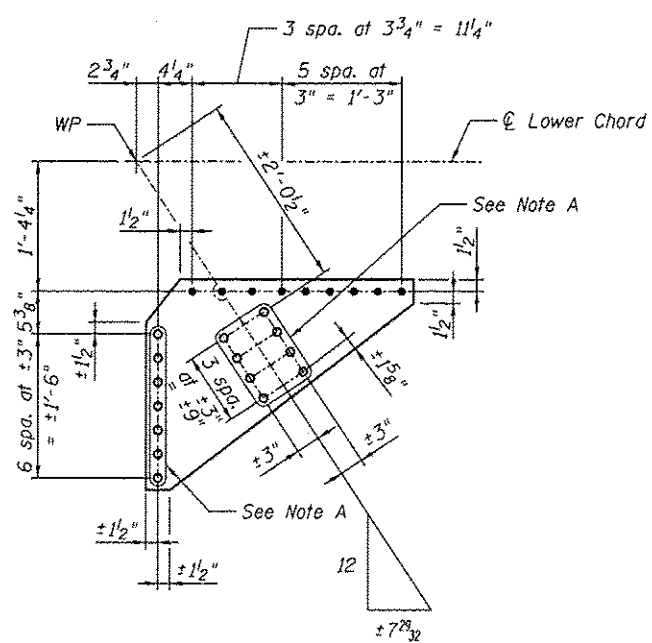


SECTION A-A



REPAIR PLATE L6X
 PL 3/8" x 26 3/8" x 2'-6 1/4"

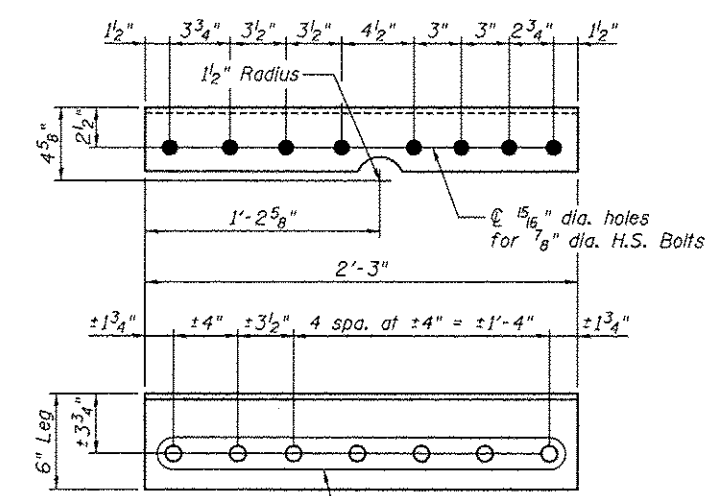
Note: Repair PL L6X requires 1 5/16" dia holes for 7/8" dia H.S. bolts.



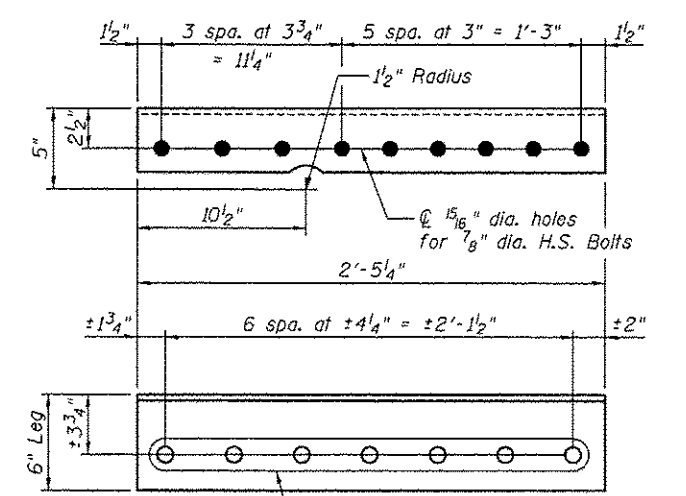
REPAIR PLATE L6Y
 PL 3/8" x 26 3/8" x 2'-9 1/2"

Note: Repair PL L6Y requires 1 5/16" dia holes for 7/8" dia H.S. bolts.

Note A:
 Field drill holes using existing holes as template.
 Remainder of holes may be shop or field drilled.



REPAIR ANGLE L6J
 L6 x 4 x 3/8 x 2'-3"



REPAIR ANGLE L6V
 L6 x 4 x 3/8 x 2'-5 1/4"

Notes:
 All bolted connections shown on this sheet shall be made with 1" dia. H.S. bolts unless otherwise noted.



USER NAME =	DESIGNED - MEL/YSS	REVISED
PLOT SCALE =	CHECKED - CDB	REVISED
PLOT DATE = 05/09/2014	DRAWN - AEC	REVISED
	CHECKED - MEL	REVISED

STATE OF ILLINOIS
DEPARTMENT OF TRANSPORTATION

MAIN SPAN GUSSET PLATE STRENGTHENING - 4A
S.N. 082-6001 MLK BRIDGE OVER MISSISSIPPI RIVER

SHEET NO. 549A OF 513B SHEETS

F.A.P. RTE. 799	SECTION 1BR, DRS-2	COUNTY ST. CLAIR	TOTAL SHEETS 156	SHEET NO. 67A
CONTRACT NO. 76B03			ILLINOIS FED. AID PROJECT	