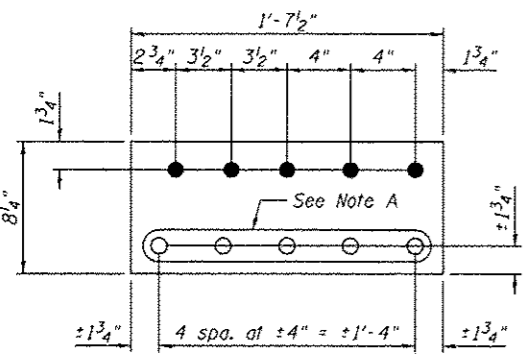


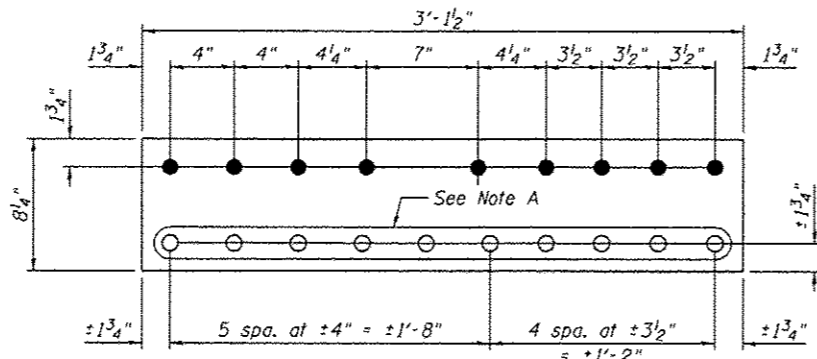
**OUTSIDE PLATE AT PANEL POINT L10N AND L10S**  
 (L10'N AND L10'S SIMILAR)  
 (Span 9 and Span 11)

**INSIDE PLATE AT PANEL POINT L10N AND L10S**  
 (L10'N AND L10'S SIMILAR)  
 (Span 9 and Span 11)

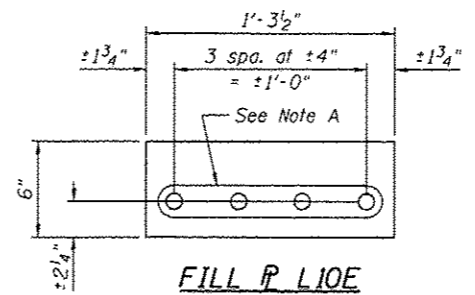
**GUSSET PLATE STRENGTHENING**



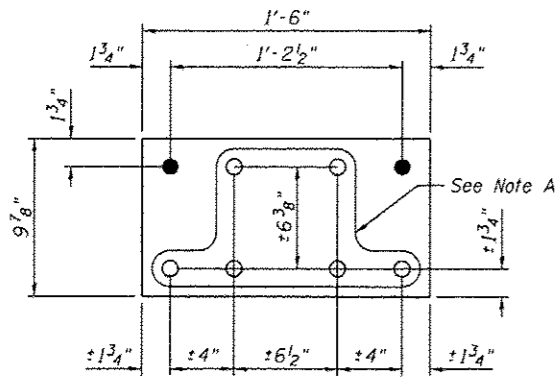
**REPAIR P L10A**  
 P 7/8" x 8 1/4" x 1'-7 1/2"



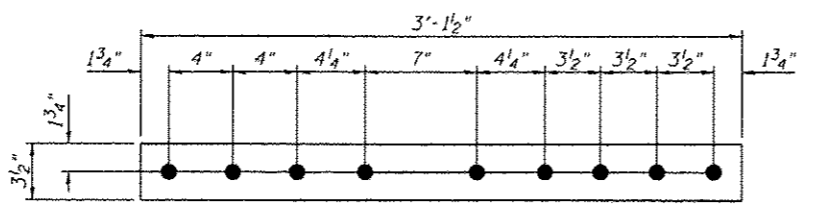
**REPAIR P L10C**  
 P 7/8" x 8 1/4" x 3'-1 1/2"



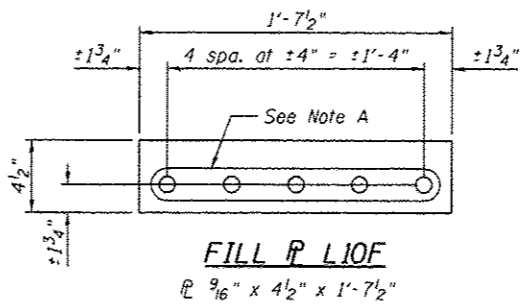
**FILL P L10E**  
 P 7/8" x 6" x 1'-3 1/2"



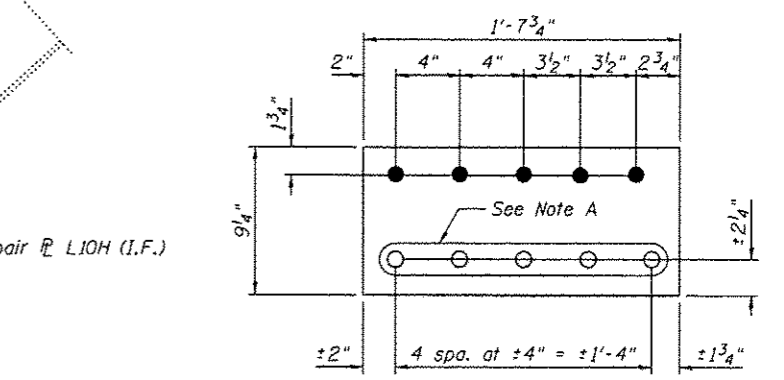
**REPAIR P L10B**  
 P 7/8" x 9 7/8" x 1'-6"



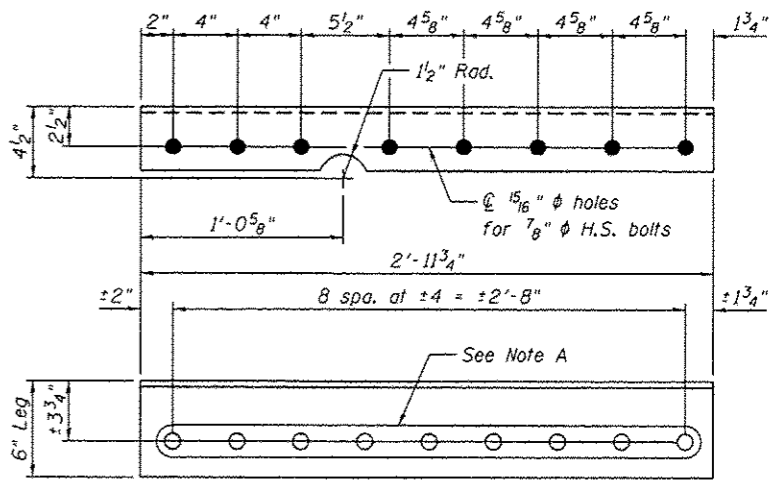
**FILL P L10D**  
 P 9/16" x 3 1/2" x 3'-1 1/2"



**FILL P L10F**  
 P 9/16" x 4 1/2" x 1'-7 1/2"



**REPAIR P L10G**  
 P 7/8" x 9 1/4" x 1'-7 3/4"  
**REPAIR P L10H**  
 P 1 1/4" x 9 1/4" x 1'-7 3/4"



**REPAIR ANGLE L10J**  
 L6 x 4 x 3/8 x 2'-11 3/4"

Note A:  
 Field drill holes using existing holes as template.  
 Remainder of holes may be shop or field drilled.

**Procedure**  
 Remove the bottom lateral connection plate and angle; then install repair plates, angles and fills, as shown, one side at a time on the inside gusset plate. Install repair plate L10H on the inside gusset plate, followed by the installation of the repair plates, one at a time, on the outside gusset plate.  
 If additional fasteners need to be removed other than those shown on this sheet, the Contractor shall submit a procedure for review and approval. If needed, the Contractor shall provide temporary support for joints.

**BILL OF MATERIAL**

Item	Unit	Total
Structural Steel Repair	Pound	3590

Notes:  
 All bolted connections shown on this sheet shall be made with 1" dia. H.S. bolts unless otherwise noted.  
 For details of pieces, L10K, L10L, L10M and L10T, see sheet S52.  
 For front and inside faces of gusset plates, see sheet S8.



USER NAME :	DESIGNED - MEL /YSS	REVISED
PLOT SCALE :	CHECKED - COB	REVISED
PLOT DATE : 05/08/2014	DRAWN - AEC	REVISED
	CHECKED - MEL	REVISED

STATE OF ILLINOIS  
 DEPARTMENT OF TRANSPORTATION

MAIN SPAN GUSSET PLATE STRENGTHENING - 6  
 S.N. 082-6001 MLK BRIDGE OVER MISSISSIPPI RIVER

SHEET NO. S51 OF S138 SHEETS

F.A.P. RTE. 799	SECTION 1BR, DRS-2	COUNTY ST. CLAIR	TOTAL SHEETS 156	SHEET NO. 69
CONTRACT NO. 76B03			ILLINOIS FED. AID PROJECT	